

LMK01000 Family

LMK01000 Family 1.6 GHz High Performance Clock Buffer, Divider, and Distributor

General Description

The LMK01000 family provides an easy way to divide and distribute high performance clock signals throughout the system. These devices provide best-in-class noise performance and are designed to be pin-to-pin and footprint compatible with LMK03000/LMK02000 family of precision clock conditioners.

The LMK01000 family features two programmable clock inputs (CLKin0 and CLKin1) that allow the user to dynamically switch between different clock domains.

Each device features 8 clock outputs with independently programmable dividers and delay adjustments. The outputs of the device can be easily synchronized by an external pin (SYNC*).

Features

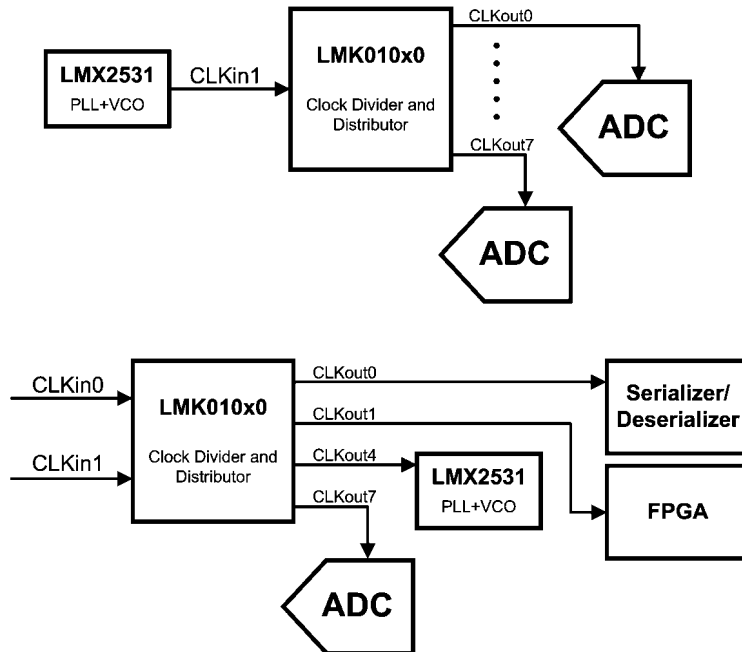
- 30 fs additive jitter (100 Hz to 20 MHz)
- Dual clock inputs
- Programmable output channels (0 to 1600 MHz)
- External synchronization
- Pin compatible family of clocking devices
- 3.15 to 3.45 V operation
- Package: 48 pin LLP (7.0 x 7.0 x 0.8 mm)

| Device | LVDS Outputs | LVPECL Outputs |
|----------|--------------|----------------|
| LMK01000 | 3 | 5 |
| LMK01010 | 8 | 0 |
| LMK01020 | 0 | 8 |

Target Applications

- High performance Clock Distribution
- Wireless Infrastructure
- Medical Imaging
- Wired Communications
- Test and Measurement
- Military / Aerospace

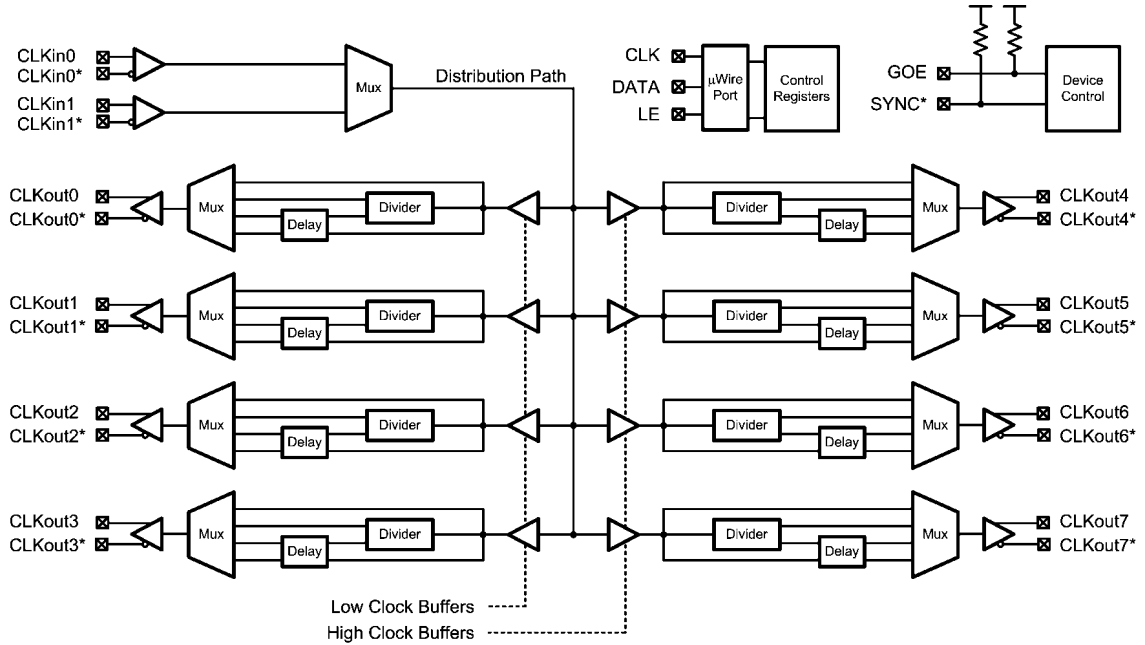
System Diagram



30042806

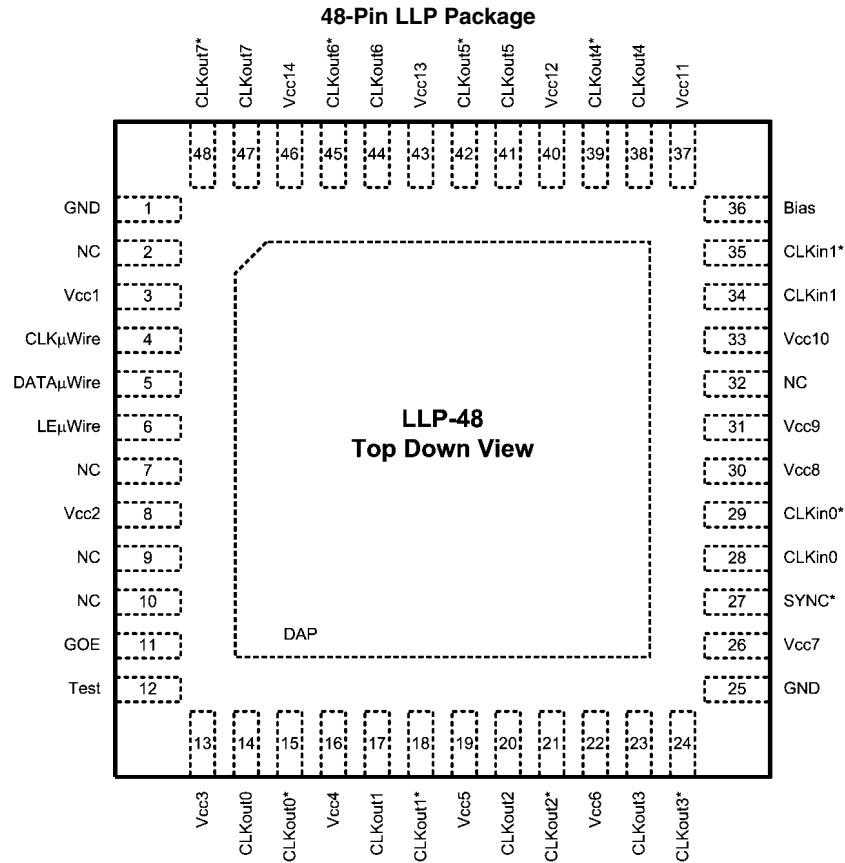
TRI-STATE® is a registered trademark of National Semiconductor Corporation.

Functional Block Diagram



30042801

Connection Diagram



30042802

Pin Descriptions

| Pin # | Pin Name | I/O | Description |
|--|---|-----|--|
| 1, 25 | GND | - | Ground |
| 2, 7, 9, 10, 32 | NC | - | No Connect. Pin is not connected to the die. |
| 3, 8, 13, 16, 19, 22, 26, 30, 31, 33, 37, 40, 43, 46 | Vcc1, Vcc2, Vcc3, Vcc4, Vcc5, Vcc6, Vcc7, Vcc8, Vcc9, Vcc10, Vcc11, Vcc12, Vcc13, Vcc14 | - | Power Supply |
| 4 | CLKuWire | I | MICROWIRE Clock Input |
| 5 | DATAuWire | I | MICROWIRE Data Input |
| 6 | LEuWire | I | MICROWIRE Latch Enable Input |
| 11 | GOE | I | Global Output Enable |
| 12 | Test | O | This is an output pin used strictly for test purposes and should be not connected for normal operation. However, any load of an impedance of more than 1 k Ω is acceptable. |
| 14, 15 | CLKout0, CLKout0* | O | Clock Output 0 |
| 17, 18 | CLKout1, CLKout1* | O | Clock Output 1 |
| 20, 21 | CLKout2, CLKout2* | O | Clock Output 2 |
| 23, 24 | CLKout3, CLKout3* | O | Clock Output 3 |
| 27 | SYNC* | I | Global Clock Output Synchronization |
| 28, 29 | CLKin0, CLKin0* | I | CLKin 0 Input; Must be AC coupled |
| 34, 35 | CLKin1, CLKin1* | I | CLKin 1 Input; Must be AC coupled |
| 36 | Bias | I | Bias Bypass |
| 38, 39 | CLKout4, CLKout4* | O | Clock Output 4 |
| 41, 42 | CLKout5, CLKout5* | O | Clock Output 5 |
| 44, 45 | CLKout6, CLKout6* | O | Clock Output 6 |
| 47, 48 | CLKout7, CLKout7* | O | Clock Output 7 |
| DAP | DAP | - | Die Attach Pad should be connected to ground. |

The LMK01000 family is footprint compatible with the LMK03000/02000 family of devices. All CLKout pins are pin-to-pin compatible, and CLKin0 and CLKin1 are equivalent to OSCin and Fin, respectively.

Device Configuration Information

| Output | LMK01000 | LMK01010 | LMK01020 |
|---------|----------|----------|----------|
| CLKout0 | LVDS | LVDS | LVPECL |
| CLKout1 | LVDS | LVDS | LVPECL |
| CLKout2 | LVDS | LVDS | LVPECL |
| CLKout3 | LVPECL | LVDS | LVPECL |
| CLKout4 | LVPECL | LVDS | LVPECL |
| CLKout5 | LVPECL | LVDS | LVPECL |
| CLKout6 | LVPECL | LVDS | LVPECL |
| CLKout7 | LVPECL | LVDS | LVPECL |

Absolute Maximum Ratings *(Note 1, Note 2)*

If Military/Aerospace specified devices are required, please contact the National Semiconductor Sales Office/ Distributors for availability and specifications.

| Parameter | Symbol | Ratings | Units |
|-------------------------------|-----------|----------------------------|-------|
| Power Supply Voltage | V_{CC} | -0.3 to 3.6 | V |
| Input Voltage | V_{IN} | -0.3 to ($V_{CC} + 0.3$) | V |
| Storage Temperature Range | T_{STG} | -65 to 150 | °C |
| Lead Temperature (solder 4 s) | T_L | +260 | °C |
| Junction Temperature | T_J | 125 | °C |

Recommended Operating Conditions

| Parameter | Symbol | Min | Typ | Max | Units |
|----------------------|----------|------|-----|------|-------|
| Ambient Temperature | T_A | -40 | 25 | 85 | °C |
| Power Supply Voltage | V_{CC} | 3.15 | 3.3 | 3.45 | V |

Note 1: "Absolute Maximum Ratings" indicate limits beyond which damage to the device may occur, including inoperability and degradation of device reliability and/or performance. Functional operation of the device and/or non-degradation at the Absolute Maximum Ratings or other conditions beyond those indicated in the Recommended Operating Conditions is not implied. The Recommended Operating Conditions indicate conditions at which the device is functional and the device should not be operated beyond such conditions.

Note 2: This device is a high performance integrated circuit with ESD handling precautions. Handling of this device should only be done at ESD protected work stations. The device is rated to a HBM-ESD of > 2 kV, a MM-ESD of > 200 V, and a CDM-ESD of > 1.2 kV.

Package Thermal Resistance

| Package | θ_{JA} | θ_{J-PAD} (Thermal Pad) |
|-----------------------------|---------------|--------------------------------|
| 48-Lead LLP <i>(Note 3)</i> | 27.4° C/W | 5.8° C/W |

Note 3: Specification assumes 16 thermal vias connect the die attach pad to the embedded copper plane on the 4-layer JEDEC board. These vias play a key role in improving the thermal performance of the LLP. It is recommended that the maximum number of vias be used in the board layout.

Electrical Characteristics *(Note 4)*

(3.15 V ≤ V_{CC} ≤ 3.45 V, -40 °C ≤ T_A ≤ 85 °C, Differential Inputs/Outputs; except as specified. Typical values represent most likely parametric norms at $V_{CC} = 3.3$ V, $T_A = 25$ °C, and at the Recommended Operation Conditions at the time of product characterization and are not guaranteed).

| Symbol | Parameter | Conditions | Min | Typ | Max | Units |
|---|---|--|----------|-----|------|-------|
| Current Consumption | | | | | | |
| I_{CC} | Power Supply Current <i>(Note 5)</i> | All outputs enabled, no divide or delay (CLKoutX_MUX = Bypassed) | LMK01000 | | 271 | mA |
| | | | LMK01010 | | 160 | |
| | | LMK01020 | | 338 | | |
| | | Per channel, no divide or delay (CLKoutX_MUX = Bypassed) | LVDS | | 17.8 | |
| LVPECL (Includes Emitter Resistors) | | | 40 | | | |
| I_{CCPD} | Power Down Current | POWERDOWN = 1 | | 1 | | |
| CLKin0, CLKin0*, CLKin1, CLKin1* | | | | | | |
| f_{CLKin} | CLKin Frequency Range | | 1 | | 1600 | MHz |
| $SLEW_{CLKin}$ | CLKin Frequency Input Slew Rate | <i>(Note 6, Note 8)</i> | 0.5 | | | V/ns |
| $DUTY_{CLKin}$ | CLKin Frequency Input Duty Cycle | $f_{CLKin} \leq 800$ MHz | 30 | | 70 | % |
| | | $f_{CLKin} > 800$ MHz | 40 | | 60 | |
| P_{CLKin} | Input Power Range for CLKin or CLKin* | AC coupled | -13 | | 5 | dBm |

| Symbol | Parameter | Conditions | Min | Typ | Max | Units | |
|--|--|--|--------------------------|---------|-----------------------|--------|----|
| Clock Distribution Section--Delays | | | | | | | |
| Delay _{CLKout} | Maximum Allowable Delay(<i>Note 8</i>) | $f_{CLKoutX} \leq 1$ GHz (Delay is limited to maximum programmable value) | | | 2250 | ps | |
| | | $f_{CLKoutX} > 1$ GHz (Delay is limited to 1/2 of a period) | | | 0.5/ $f_{CLKoutX}$ | | |
| Clock Distribution Section - Divides | | | | | | | |
| Divide _{CLKoutX} | Allowable divide range. (Note that 1 is the only allowable odd divide value) | $f_{CLKinX} \leq 1300$ MHz | 1 | | 510 | n/a | |
| | | $1300 \text{ MHz} < f_{CLKinX} \leq 1600$ MHz | 1 | | 2 | | |
| Clock Distribution Section - LVDS Clock Outputs | | | | | | | |
| Jitter _{ADD} | Additive RMS Jitter (<i>Note 7</i>) | $R_L = 100 \Omega$ Bandwidth = 100 Hz to 20 MHz $V_{boost} = 1$ | $f_{CLKoutX} = 200$ MHz | | 80 | fs | |
| | | | $f_{CLKoutX} = 800$ MHz | | 30 | | |
| | | | $f_{CLKoutX} = 1600$ MHz | | 25 | | |
| Noise Floor | Divider Noise Floor(<i>Note 7</i>) | $R_L = 100 \Omega$ $V_{boost} = 1$ | $f_{CLKoutX} = 200$ MHz | | -156 | dBc/Hz | |
| | | | $f_{CLKoutX} = 800$ MHz | | -153 | | |
| | | | $f_{CLKoutX} = 1600$ MHz | | -148 | | |
| t_{SKEW} | CLKoutX to CLKoutY (<i>Note 8</i>) | Equal loading and identical clock configuration $R_L = 100 \Omega$ | -30 | ± 4 | 30 | ps | |
| V_{OD} | Differential Output Voltage | <i>(Note 9)</i> | $V_{boost}=0$ | 250 | 350 | 450 | mV |
| | | | $V_{boost}=1$ | | 390 | | |
| ΔV_{OD} | Change in magnitude of V_{OD} for complementary output states | $R_L = 100 \Omega$ | -50 | | 50 | mV | |
| V_{OS} | Output Offset Voltage | $R_L = 100 \Omega$ | 1.070 | 1.25 | 1.370 | V | |
| ΔV_{OS} | Change in magnitude of V_{OS} for complementary output states | $R_L = 100 \Omega$ | -35 | | 35 | mV | |
| I_{SA} I_{SB} | Clock Output Short Circuit Current single ended | Single ended outputs shorted to GND | -24 | | 24 | mA | |
| I_{SAB} | Clock Output Short Circuit Current differential | Complementary outputs tied together | -12 | | 12 | mA | |

| Symbol | Parameter | Conditions | Min | Typ | Max | Units | |
|--|--------------------------------------|--|---------------------------------|------------|------|--------|----|
| Clock Distribution Section - LVPECL Clock Outputs | | | | | | | |
| Jitter _{ADD} | Additive RMS Jitter(<i>Note 7</i>) | R _L = 100 Ω Bandwidth = 100 Hz to 20 MHz Vboost = 1 | f _{CLKoutX} = 200 MHz | | 65 | fs | |
| | | | f _{CLKoutX} = 800 MHz | | 25 | | |
| | | | f _{CLKoutX} = 1600 MHz | | 25 | | |
| Noise Floor | Divider Noise Floor(<i>Note 7</i>) | R _L = 100 Ω Vboost = 1 | f _{CLKoutX} = 200 MHz | | -158 | dBc/Hz | |
| | | | f _{CLKoutX} = 800 MHz | | -154 | | |
| | | | f _{CLKoutX} = 1600 MHz | | -148 | | |
| t _{SKEW} | CLKoutX to CLKoutY (<i>Note 8</i>) | Equal loading and identical clock configuration Termination = 50 Ω to Vcc - 2 V | -30 | ±3 | 30 | ps | |
| V _{OH} | Output High Voltage | Termination = 50 Ω to Vcc - 2 V | | Vcc - 0.98 | | V | |
| V _{OL} | Output Low Voltage | | | Vcc - 1.8 | | V | |
| V _{OD} | Differential Output Voltage | (<i>Note 9</i>) | Vboost = 0 | 660 | 810 | 965 | mV |
| | | | Vboost = 1 | | 865 | | |
| Digital LVTTTL Interfaces (<i>Note 10</i>) | | | | | | | |
| V _{IH} | High-Level Input Voltage | | 2.0 | | Vcc | V | |
| V _{IL} | Low-Level Input Voltage | | | | 0.8 | V | |
| I _{IH} | High-Level Input Current | V _{IH} = Vcc | -5.0 | | 5.0 | μA | |
| I _{IL} | Low-Level Input Current | V _{IL} = 0 | -40.0 | | 5.0 | μA | |
| V _{OH} | High-Level Output Voltage | I _{OH} = +500 μA | Vcc - 0.4 | | | V | |
| V _{OL} | Low-Level Output Voltage | I _{OL} = -500 μA | | | 0.4 | V | |

| Symbol | Parameter | Conditions | Min | Typ | Max | Units |
|---|-----------------------------|-----------------------|------|-----|----------|---------|
| Digital MICROWIRE Interfaces (Note 11) | | | | | | |
| V_{IH} | High-Level Input Voltage | | 1.6 | | V_{CC} | V |
| V_{IL} | Low-Level Input Voltage | | | | 0.4 | V |
| I_{IH} | High-Level Input Current | $V_{IH} = V_{CC}$ | -5.0 | | 5.0 | μA |
| I_{IL} | Low-Level Input Current | $V_{IL} = 0$ | -5.0 | | 5.0 | μA |
| MICROWIRE Timing | | | | | | |
| t_{CS} | Data to Clock Set Up Time | See Data Input Timing | 25 | | | ns |
| t_{CH} | Data to Clock Hold Time | See Data Input Timing | 8 | | | ns |
| t_{CWH} | Clock Pulse Width High | See Data Input Timing | 25 | | | ns |
| t_{CWL} | Clock Pulse Width Low | See Data Input Timing | 25 | | | ns |
| t_{ES} | Clock to Enable Set Up Time | See Data Input Timing | 25 | | | ns |
| t_{CES} | Enable to Clock Set Up Time | See Data Input Timing | 25 | | | ns |
| t_{EWH} | Enable Pulse Width High | See Data Input Timing | 25 | | | ns |

Note 4: The Electrical Characteristics tables list guaranteed specifications under the listed Recommended Operating Conditions except as otherwise modified or specified by the Electrical Characteristics Conditions and/or Notes. Typical specifications are estimations only and are not guaranteed.

Note 5: See section 3.2 for more current consumption / power dissipation calculation information.

Note 6: For all frequencies the slew rate, $SLEW_{CLKin1}$, is measured between 20% and 80%.

Note 7: The noise floor of the divider is measured as the far out phase noise of the divider. Typically this offset is 40 MHz, but for lower frequencies this measurement offset can be as low as 5 MHz due to measurement equipment limitations. If the delay is used, then use section 1.3.

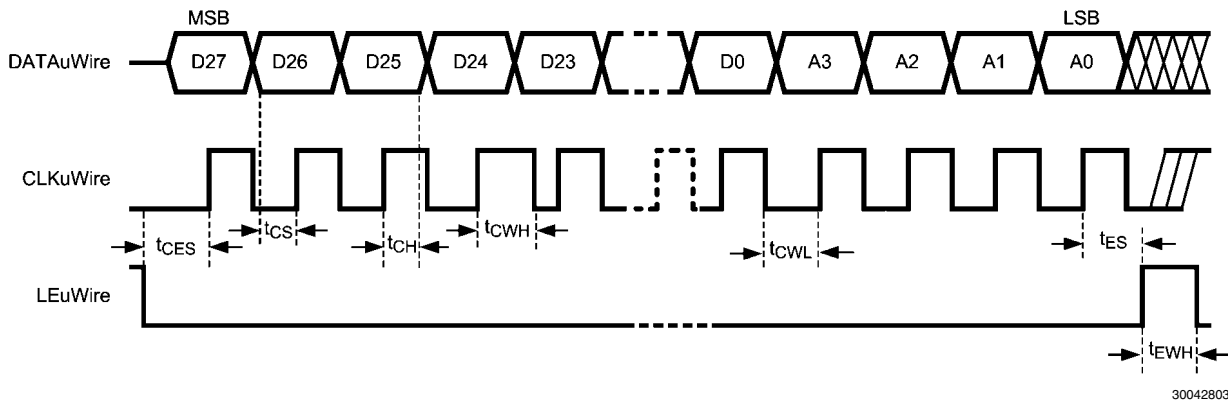
Note 8: Specification is guaranteed by characterization and is not tested in production.

Note 9: See characterization plots to see how this parameter varies over frequency.

Note 10: Applies to GOE, LD, and SYNC*.

Note 11: Applies to CLKuWire, DATAuWire, and LEuWire.

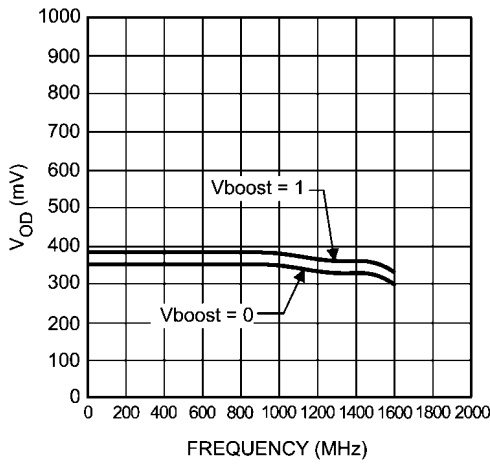
Serial Data Timing Diagram



Data bits set on the DATAuWire signal are clocked into a shift register, MSB first, on each rising edge of the CLKuWire signal. On the rising edge of the LEuWire signal, the data is sent from the shift register to the addressed register determined by the LSB bits. After the programming is complete the CLKuWire, DATAuWire, and LEuWire signals should be returned to a low state. The slew rate of CLKuWire, DatauWire, and LEuWire should be at least 30 V/ μs .

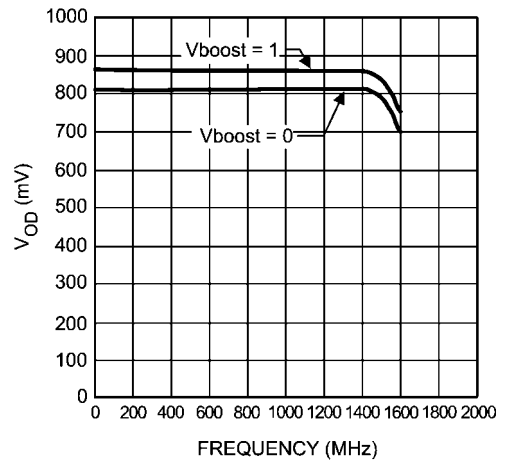
Typical Performance Characteristics

LVDS Differential Output Voltage (V_{OD})



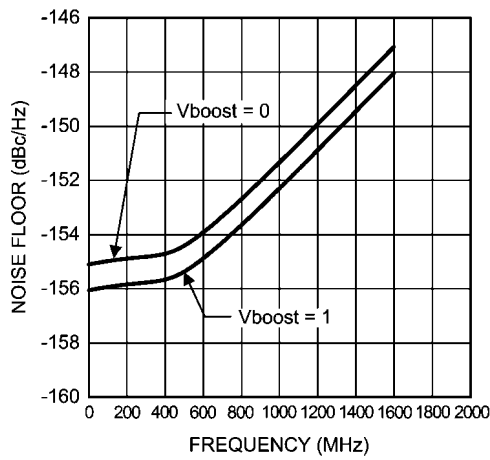
30042807

LVPECL Differential Output Voltage (V_{OD})



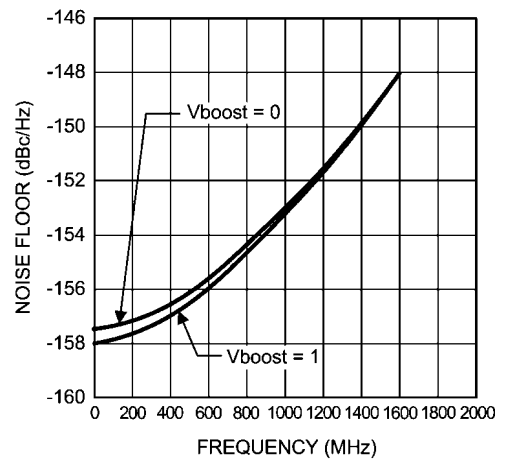
30042808

LVDS Output Noise Floor



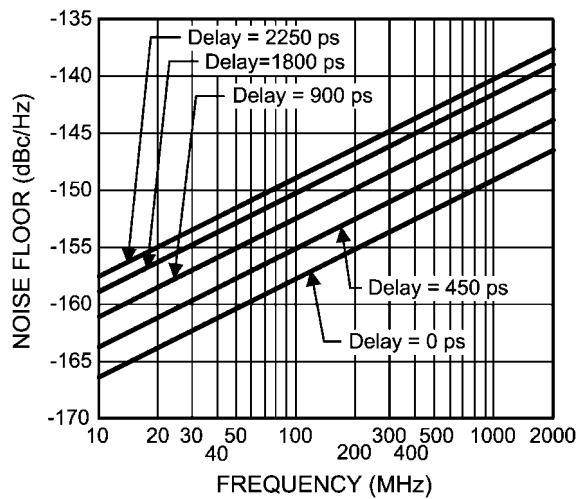
30042809

LVPECL Output Noise Floor



30042810

Delay Noise Floor (Adds to Output Noise Floor)



30042811

1.0 Functional Description

The LMK01000 family includes a programmable divider, a phase synchronization circuit, a programmable delay, a clock output mux, and an LVDS or LVPECL output buffer in each channel. This allows multiple integer-related and phase-adjusted copies of the reference to be distributed to up to eight system components.

This family of devices comes in a 48-pin LLP package that is pin-to-pin and footprint compatible with other LMK02000/LMK03000 family of clocking devices.

1.1 BIAS PIN

To properly use the device, bypass Bias (pin 36) with a low leakage 1 μ F capacitor connected to Vcc. This is important for low noise performance.

1.2 CLKin0/CLKin0* and CLKin1/CLKin1 INPUT PORTS

The device can be driven either by the CLKin0/CLKin0* or the CLKin1/CLKin1* pins. The choice of which one to use is software selectable. These input ports must be AC coupled. To drive these inputs in a single ended fashion, AC ground the complementary input.

When choosing AC coupling capacitors for clock signals 0.1 μ F is a good starting point, but lower frequencies may require higher value capacitors while higher frequencies may use lower value capacitors.

1.3 CLKout DELAYS

Each individual clock output includes a delay adjustment. Clock output delay registers (CLKoutX_DLY) support a 150 ps step size and range from 0 to 2250 ps of total delay. When the delay is enabled it adds to the output noise floor; the total additive noise is $10(\log(10^{(\text{Output Noise Floor}/10)} + 10^{(\text{Delay Noise Floor}/10)}))$. Refer to the Typical Performance Characteristics plots for the Delay Noise Floor information.

1.4 LVDS/LVPECL OUTPUTS

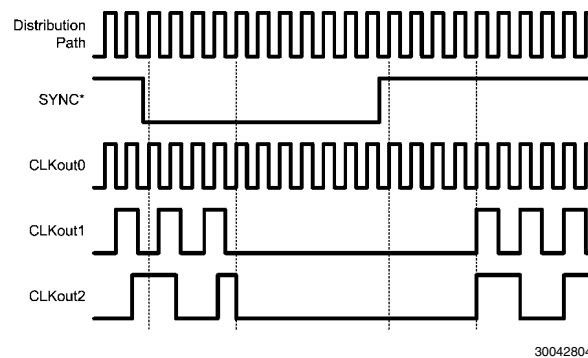
Each LVDS or LVPECL output may be disabled individually by programming the CLKoutX_EN bits. All the outputs may be disabled simultaneously by pulling the GOE pin low or programming EN_CLKout_Global to 0.

1.5 GLOBAL CLOCK OUTPUT SYNCHRONIZATION

The SYNC* pin synchronizes the clock outputs. When the SYNC* pin is held in a logic low state, the divided outputs are also held in a logic low state. When the SYNC* pin goes high, the divided clock outputs are activated and will transition to a high state simultaneously. Clocks in the Bypassed state are not affected by SYNC* and are always synchronized with the divided outputs.

The SYNC* pin must be held low for greater than one clock cycle of the Frequency Input port, also known as the distribution path. Once this low event has been registered, the outputs will not reflect the low state for four more cycles. When the SYNC* pin becomes high, the outputs will not simultaneously transition high until four more distribution path clock cycles have passed. See the SYNC* timing diagram for further detail. In the timing diagram below the clocks are programmed as CLKout0_MUX = Bypassed, CLKout1_MUX = Divided, CLKout1_DIV = 2, CLKout2_MUX = Divided, and CLKout2_DIV = 4.

SYNC* Timing Diagram



30042804

The SYNC* pin provides an internal pull-up resistor as shown in the functional block diagram. If the SYNC* pin is not terminated externally the clock outputs will operate normally. If the SYNC* function is not used, clock output synchronization is not guaranteed.

1.6 CONNECTION TO LVDS OUTPUTS

LMK01000 and LMK01010 LVDS outputs can be connected in AC or DC coupling configurations; however, in DC coupling configuration, proper conditions must be presented by the LVDS receiver. To ensure such conditions, we recommend the usage of LVDS receivers without fail-safe or internal input bias such as National Semiconductor's DS90LV110T. The LMK01000 family LVDS drivers provide the adequate DC bias for the LVDS receiver. We recommend AC coupling when using LVDS receivers with fail-safe or internal input bias.

1.7 CLKout OUTPUT STATES

Each clock output may be individually enabled with the CLKoutX_EN bits. Each individual output enable control bit is gated with the Global Output Enable input pin (GOE) and the Global Output Enable bit (EN_CLKout_Global).

All clock outputs can be disabled simultaneously if the GOE pin is pulled low by an external signal or EN_CLKout_Global is set to 0.

| CLKoutX_EN bit | EN_CLKout_Global bit | GOE pin | Clock X Output State |
|----------------|----------------------|-------------------|----------------------|
| 1 | 1 | Low | Low |
| Don't care | 0 | Don't care | Off |
| 0 | Don't care | Don't care | Off |
| 1 | 1 | High / No Connect | Enabled |

When an LVDS output is in the Off state, the outputs are at a voltage of approximately 1.5 volts. When an LVPECL output is in the Off state, the outputs are at a voltage of approximately 1 volt.

1.8 GLOBAL OUTPUT ENABLE

The GOE pin provides an internal pull-up resistor. If it is not terminated externally, the clock output states are determined by the Clock Output Enable bits (CLKoutX_EN) and the EN_CLKout_Global bit.

1.9 POWER-ON-RESET

When supply voltage to the device increases monotonically from ground to Vcc, the power-on-reset circuit sets all registers to their default values, which are specified in the General Programming Information section. Voltage should be applied to all Vcc pins simultaneously.

2.0 General Programming Information

The LMK01000 family device is programmed using several 32-bit registers. The registers consist of a data field and an address field. The last 4 register bits, ADDR[3:0] form the address field. The remaining 28 bits form the data field DATA [27:0].

During programming, LEuWire is low and serial data is clocked in on the rising edge of clock (MSB first). When LEuWire goes high, data is transferred to the register bank selected by the address field. Only registers R0 to R7 and R14 need to be programmed for proper device operation.

It is required to program register R14.

2.1 RECOMMENDED PROGRAMMING SEQUENCE

The recommended programming sequence involves programming R0 with the reset bit set (RESET = 1) to ensure the device is in a default state. It is not necessary to program R0 again, but if R0 is programmed again, the reset bit is programmed clear (RESET = 0). An example programming sequence is shown below.

- Program R0 with the reset bit set (RESET = 1). This ensures the device is in a default state. When the reset bit is set in R0, the other R0 bits are ignored.
 - If R0 is programmed again, the reset bit is programmed clear (RESET = 0).
- Program R0 to R7 as necessary with desired clocks with appropriate enable, mux, divider, and delay settings.
- Program R14 with global clock output bit, power down setting.
 - R14 must be programmed in accordance with the register map as shown in the register map (*See Section 2.2*).

2.2 Register Map

| Register | 31 | 30 | 29 | 28 | 27 | 26 | 25 | 24 | 23 | 22 | 21 | 20 | 19 | 18 | 17 | 16 | 15 | 14 | 13 | 12 | 11 | 10 | 9 | 8 | 7 | 6 | 5 | 4 | 3 | 2 | 1 | 0 | |
|----------|-------|----|----|----|----|----|----|----|----|----|----|----|----|----|-------------------|-------------------|-------------------|-------------------|-------------------|----|----|----|---|---|---|---|----|----|----|----|---|---|--|
| | | | | | | | | | | | | | | | | Data [27:0] | | | | | | | | | | | A3 | A2 | A1 | A0 | | | |
| R0 | RESET | 0 | 0 | 0 | 0 | 0 | 0 | 0 | 0 | 0 | 0 | 0 | 0 | 0 | 0 | CLKout0_MUX [1:0] | CLKout0_EN | CLKout0_DIV [7:0] | CLKout0_DLY [3:0] | | | | | | | | | | | | | | |
| R1 | 0 | 0 | 0 | 0 | 0 | 0 | 0 | 0 | 0 | 0 | 0 | 0 | 0 | 0 | CLKout1_MUX [1:0] | CLKout1_EN | CLKout1_DIV [7:0] | CLKout1_DLY [3:0] | | | | | | | | | | | | | | | |
| R2 | 0 | 0 | 0 | 0 | 0 | 0 | 0 | 0 | 0 | 0 | 0 | 0 | 0 | 0 | CLKout2_MUX [1:0] | CLKout2_EN | CLKout2_DIV [7:0] | CLKout2_DLY [3:0] | | | | | | | | | | | | | | | |
| R3 | 0 | 0 | 0 | 0 | 0 | 0 | 0 | 0 | 0 | 0 | 0 | 0 | 0 | 0 | CLKout3_MUX [1:0] | CLKout3_EN | CLKout3_DIV [7:0] | CLKout3_DLY [3:0] | | | | | | | | | | | | | | | |
| R4 | 0 | 0 | 0 | 0 | 0 | 0 | 0 | 0 | 0 | 0 | 0 | 0 | 0 | 0 | CLKout4_MUX [1:0] | CLKout4_EN | CLKout4_DIV [7:0] | CLKout4_DLY [3:0] | | | | | | | | | | | | | | | |
| R5 | 0 | 0 | 0 | 0 | 0 | 0 | 0 | 0 | 0 | 0 | 0 | 0 | 0 | 0 | CLKout5_MUX [1:0] | CLKout5_EN | CLKout5_DIV [7:0] | CLKout5_DLY [3:0] | | | | | | | | | | | | | | | |
| R6 | 0 | 0 | 0 | 0 | 0 | 0 | 0 | 0 | 0 | 0 | 0 | 0 | 0 | 0 | CLKout6_MUX [1:0] | CLKout6_EN | CLKout6_DIV [7:0] | CLKout6_DLY [3:0] | | | | | | | | | | | | | | | |
| R7 | 0 | 0 | 0 | 0 | 0 | 0 | 0 | 0 | 0 | 0 | 0 | 0 | 0 | 0 | CLKout7_MUX [1:0] | CLKout7_EN | CLKout7_DIV [7:0] | CLKout7_DLY [3:0] | | | | | | | | | | | | | | | |
| R9 | 0 | 0 | 0 | 0 | 0 | 0 | 0 | 0 | 0 | 0 | 0 | 0 | 0 | 0 | 1 | Vbo_ost | | | | | | | | | | | | | | | | | |
| R14 | 0 | 1 | 0 | 0 | 0 | 0 | 0 | 0 | 0 | 0 | 0 | 0 | 0 | 0 | 0 | 0 | 0 | 0 | 0 | 0 | 0 | 0 | 0 | 0 | 0 | 0 | 0 | 0 | 1 | 1 | 0 | | |

2.3 REGISTER R0 to R7

Registers R0 through R7 control the eight clock outputs. Register R0 controls CLKout0, Register R1 controls CLKout1, and so on. There is one additional bit in register R0 called RESET.

Aside from this, the functions of these bits are identical. The X in CLKoutX_MUX, CLKoutX_DIV, CLKoutX_DLY, and CLKoutX_EN denote the actual clock output which may be from 0 to 7.

Default Register Settings after Power-on-Reset

| Bit Name | Default Bit Value | Bit State | Bit Description | Register | Bit Location |
|------------------|-------------------|----------------------------|----------------------------|----------|--------------|
| RESET | 0 | No reset, normal operation | Reset to power on defaults | R0 | 31 |
| CLKoutX_MUX | 0 | Bypassed | CLKoutX mux mode | R0 to R7 | 18:17 |
| CLKoutX_EN | 0 | Disabled | CLKoutX enable | | 16 |
| CLKoutX_DIV | 1 | Divide by 2 | CLKoutX clock divide | | 15:8 |
| CLKoutX_DLY | 0 | 0 ps | CLKoutX clock delay | | 7:4 |
| CLKin_SELECT | 0 | CLKin1 | Select CLKin0 or CLKin1 | R14 | 29 |
| EN_CLKout_Global | 1 | Normal - CLKouts normal | Global clock output enable | | 27 |
| POWERDOWN | 0 | Normal - Device active | Device power down | | 26 |

2.3.1 Reset Bit -- R0 only

This bit is only in register R0. The use of this bit is optional and it should be set to '0' if not used. Setting this bit to a '1' forces all registers to their power-on-reset condition and therefore automatically clears this bit. If this bit is set, all other R0 bits are ignored and R0 needs to be programmed again if used with its proper values and RESET = 0.

2.3.2 CLKoutX_MUX[1:0] -- Clock Output Multiplexers

These bits control the Clock Output Multiplexer for each clock output. Changing between the different modes changes the blocks in the signal path and therefore incurs a delay relative to the Bypassed mode. The different MUX modes and associated delays are listed below.

| CLKoutX_MUX [1:0] | Mode | Added Delay Relative to Bypassed Mode |
|-------------------|---------------------|---|
| 0 | Bypassed (default) | 0 ps |
| 1 | Divided | 100 ps |
| 2 | Delayed | 400 ps (In addition to the programmed delay) |
| 3 | Divided and Delayed | 500 ps (In addition to the programmed delay) |

2.3.3 CLKoutX_DIV[7:0] -- Clock Output Dividers

These bits control the clock output divider value. In order for these dividers to be active, the respective CLKoutX_MUX (See Section 2.3.2) bit must be set to either "Divided" or "Divided and Delayed" mode. After all the dividers are programmed, the SYNC* pin must be used to ensure that all edges of the clock outputs are aligned (See Section 1.5). By adding the divider block to the output path a fixed delay of approximately 100 ps is incurred.

The actual Clock Output Divide value is twice the binary value programmed as listed in the table below.

| CLKoutX_DIV[7:0] | | | | | | | | Clock Output Divider value |
|------------------|---|---|---|---|---|---|---|----------------------------|
| 0 | 0 | 0 | 0 | 0 | 0 | 0 | 0 | Invalid |
| 0 | 0 | 0 | 0 | 0 | 0 | 0 | 1 | 2 (default) |
| 0 | 0 | 0 | 0 | 0 | 0 | 1 | 0 | 4 |
| 0 | 0 | 0 | 0 | 0 | 0 | 1 | 1 | 6 |
| 0 | 0 | 0 | 0 | 0 | 1 | 0 | 0 | 8 |
| 0 | 0 | 0 | 0 | 0 | 1 | 0 | 1 | 10 |
| . | . | . | . | . | . | . | . | ... |
| 1 | 1 | 1 | 1 | 1 | 1 | 1 | 1 | 510 |

2.3.4 CLKoutX_DLY[3:0] -- Clock Output Delays

These bits control the delay stages for each clock output. In order for these delays to be active, the respective CLKoutX_MUX (See Section 2.3.2) bit must be set to either "Delayed" or "Divided and Delayed" mode. By adding the delay block to the output path a fixed delay of approximately 400 ps is incurred in addition to the delay shown in the table below.

| CLKoutX_DLY[3:0] | Delay (ps) |
|------------------|-------------|
| 0 | 0 (default) |
| 1 | 150 |
| 2 | 300 |
| 3 | 450 |
| 4 | 600 |
| 5 | 750 |
| 6 | 900 |
| 7 | 1050 |
| 8 | 1200 |
| 9 | 1350 |
| 10 | 1500 |
| 11 | 1650 |
| 12 | 1800 |
| 13 | 1950 |
| 14 | 2100 |
| 15 | 2250 |

2.3.5 CLKoutX_EN bit -- Clock Output Enables

These bits control whether an individual clock output is enabled or not. If the EN_CLKout_Global bit is set to zero or if GOE pin is held low, all CLKoutX_EN bit states will be ignored and all clock outputs will be disabled.

| CLKoutX_EN bit | Conditions | CLKoutX State |
|----------------|-------------------------------|--------------------|
| 0 | EN_CLKout_Global bit = 1 | Disabled (default) |
| 1 | GOE pin = High / No Connect 1 | Enabled |

2.4 REGISTER R9

R9 only needs to be programmed if Vboost is set to 1. Program all other bits in R9 as indicated in register map (See Section 2.2)

2.4.1 Vboost - Voltage Boost Bit

Enabling this bit sets all clock outputs in voltage boost mode which increases the voltage at these outputs. This can improve the noise floor performance of the output, but also increases current consumption, and can cause the outputs to be too high to meet the LVPECL/LVDS specifications.

| Vboost bit | $f_{\text{CLKoutX}} < 1300$ MHz | $1300 \text{ MHz} \leq f_{\text{CLKoutX}} < 1500 \text{ MHz}$ | $1500 \text{ MHz} \leq f_{\text{CLKoutX}} \leq 1600 \text{ MHz}$ |
|------------|---|--|---|
| 0 | Recommended to hit voltage level specifications for LVPECL/LVDS | Insufficient voltage level for LVDS/LVPECL specifications, but saves current | |
| 1 | Voltage May overdrive LVPECL/LVDS specifications, but noise floor is about 2-4 dB better and current consumption is increased | Voltage is sufficient for LVDS/LEVPECL specifications . Current consumption is increased, but noise floor is about the same. | Insufficient voltage for LVDS/LVPECL specifications , but still higher than when Vboost=0. Increased current consumption. |

2.5 REGISTER R14

The LMK01000 family requires register R14 to be programmed as shown in the register map (See Section 2.2).

2.5.1 POWERDOWN Bit -- Device Power Down

This bit can power down the device. Enabling this bit powers down the entire device and all blocks, regardless of the state of any of the other bits or pins.

| POWERDOWN bit | Mode |
|---------------|----------------------------|
| 0 | Normal Operation (default) |
| 1 | Entire Device Powered Down |

2.5.2 EN_CLKout_Global Bit -- Global Clock Output Enable

This bit overrides the individual CLKoutX_EN bits. When this bit is set to 0, all clock outputs are disabled, regardless of the state of any of the other bits or pins.

| EN_CLKout_Global bit | Clock Outputs |
|----------------------|----------------------------|
| 0 | All Off |
| 1 | Normal Operation (default) |

2.5.3 CLKin_SELECT Bit -- Device CLKin Select

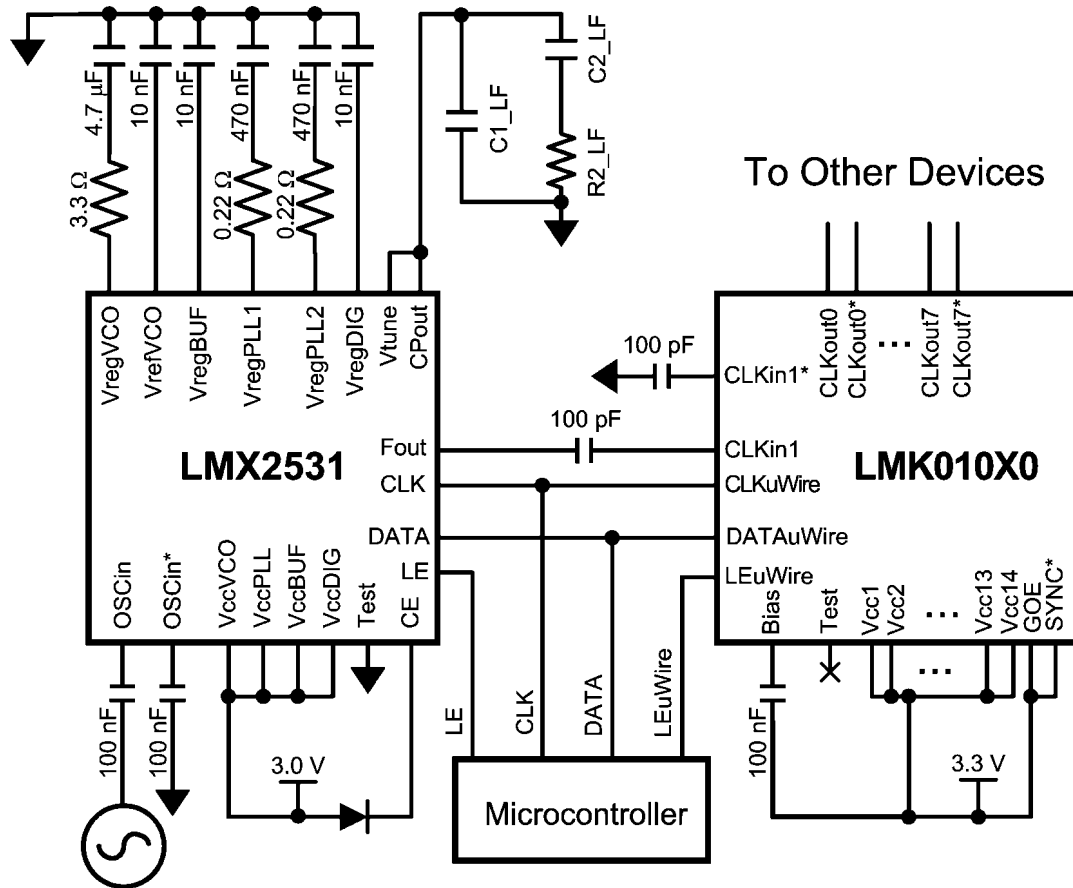
This bit determines which CLKin pin is used.

| CLKin bit | Mode |
|-----------|------------------|
| 0 | CLKin1 (default) |
| 1 | CLKin0 |

3.0 Application Information

3.1 SYSTEM LEVEL DIAGRAM

The following shows a typical application for a LMK01000 family device. In this setup the clock may be divided, skewed, and redistributed.



30042870

FIGURE 1. Typical Application

3.2 CURRENT CONSUMPTION / POWER DISSIPATION CALCULATIONS ($V_{CC} = 3.3 \text{ V}$, $T_A = 25^\circ \text{ C}$)

| Block | Condition | Current Consumption at 3.3 V (mA) | Power Dissipated in device (mW) | Power Dissipated in LVPECL emitter resistors (mW) | |
|---|---|-----------------------------------|---------------------------------|---|---|
| Core Current | All outputs disabled. Includes input buffer currents. | 19 | 62.7 | - | |
| Low clock buffer (internal) | The low clock buffer is enabled anytime one of CLKout0 through CLKout3 are enabled | 9 | 29.7 | - | |
| High clock buffer (internal) | The high clock buffer is enabled anytime one of the CLKout4 through CLKout7 are enabled | 9 | 29.7 | - | |
| Output buffers | LVDS output, Bypassed mode | 17.8 | 58.7 | - | |
| | LVPECL output, Bypassed mode (includes 120 Ω emitter resistors) | 40 | 72 | 60 | |
| | LVPECL output, disabled mode (includes 120 Ω emitter resistors) | 17.4 | 38.3 | 19.1 | |
| | LVPECL output, disabled mode. No emitter resistors placed; open outputs | 0 | 0 | - | |
| Vboost | Additional current per channel due to setting Vboost from 0 to 1. | LVPECL Output | 0.5 | 1.65 | - |
| | | LVDS Output | 1.5 | 5.0 | - |
| Divide circuitry per output | Divide enabled, divide = 2 | 5.3 | 17.5 | - | |
| | Divide enabled, divide > 2 | 8.5 | 28.0 | - | |
| Delay circuitry per output | Delay enabled, delay < 8 | 5.8 | 19.1 | - | |
| | Delay enabled, delay > 7 | 9.9 | 32.7 | - | |
| Entire device CLKout0 & CLKout4 enabled in Bypassed mode | LMK01000 | 85.8 | 223.1 | 60 | |
| | LMK01010 | 63.6 | 209.9 | - | |
| | LMK01020 | 108 | 236.4 | 120 | |
| Entire device all outputs enabled with no delay and divide value of 2 | LMK01000 | 323.8 | 768.5 | 300 | |
| | LMK01010 | 212.8 | 702.3 | - | |
| | LMK01020 | 390.4 | 808.3 | 480 | |

From the above table, the current can be calculated in any configuration. For example, the current for the entire device with 1 LVDS (CLKout0) & 1 LVPECL (CLKout4) output in Bypassed mode can be calculated by adding up the following blocks: core current, low clock buffer, high clock buffer, one LVDS output buffer current, and one LVPECL output buffer current. There will also be one LVPECL output drawing emitter current, but some of the power from the current draw is dissipated in the external 120 Ω resistors which doesn't add to the power dissipation budget for the device. If delays or divides are switched in, then the additional current for these stages needs to be added as well.

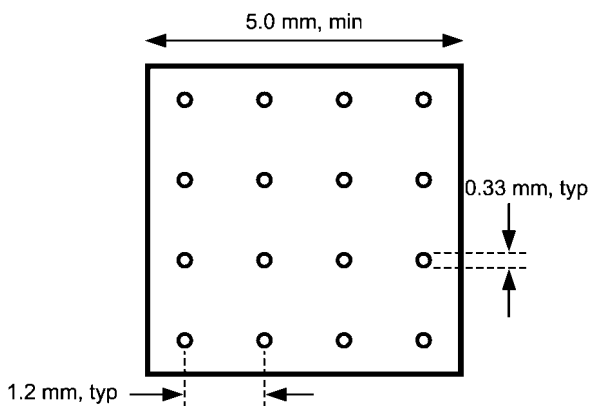
For power dissipated by the device, the total current entering the device is multiplied by the voltage at the device minus the power dissipated in any emitter resistors connected to any of

the LVPECL outputs. If no emitter resistors are connected to the LVPECL outputs, this power will be 0 watts. For example, in the case of 1 LVDS (CLKout0) & 1 LVPECL (CLKout4) operating at 3.3 volts for LMK01000, we calculate $3.3 \text{ V} \times (10 + 9 + 9 + 17.8 + 40) \text{ mA} = 3.3 \text{ V} \times 85.8 \text{ mA} = 283.1 \text{ mW}$. Because the LVPECL output (CLKout4) has the emitter resistors hooked up and the power dissipated by these resistors is 60 mW, the total power dissipation is $283.1 \text{ mW} - 60 \text{ mW} = 223.1 \text{ mW}$. When the LVPECL output is active, ~1.9 V is the average voltage on each output as calculated from the LVPECL V_{OH} & V_{OL} typical specification. Therefore the power dissipated in each emitter resistor is approximately $(1.9 \text{ V})^2 / 120 \Omega = 30 \text{ mW}$. When the LVPECL output is disabled, the emitter resistor voltage is ~1.07 V. Therefore the power dissipated in each emitter resistor is approximately $(1.07 \text{ V})^2 / 120 \Omega = 9.5 \text{ mW}$.

3.3 THERMAL MANAGEMENT

Power consumption of the LMK01000 family device can be high enough to require attention to thermal management. For reliability and performance reasons the die temperature should be limited to a maximum of 125 °C. That is, as an estimate, T_A (ambient temperature) plus device power consumption times θ_{JA} should not exceed 125 °C.

The package of the device has an exposed pad that provides the primary heat removal path as well as excellent electrical grounding to the printed circuit board. To maximize the removal of heat from the package a thermal land pattern including multiple vias to a ground plane must be incorporated on the PCB within the footprint of the package. The exposed pad must be soldered down to ensure adequate heat conduction out of the package. A recommended land and via pattern is shown in [Figure 2](#). More information on soldering LLP packages can be obtained at www.national.com.



30042873

FIGURE 2. Recommended Land and Via Pattern

To minimize junction temperature it is recommended that a simple heat sink be built into the PCB (if the ground plane layer is not exposed). This is done by including a copper area of about 2 square inches on the opposite side of the PCB from the device. This copper area may be plated or solder coated to prevent corrosion but should not have conformal coating (if possible), which could provide thermal insulation. The vias shown in [Figure 2](#) should connect these top and bottom copper layers and to the ground layer. These vias act as “heat pipes” to carry the thermal energy away from the device side of the board to where it can be more effectively dissipated.

3.4 TERMINATION AND USE OF CLOCK OUTPUTS

When terminating clock drivers keep in mind these guidelines for optimum phase noise and jitter performance:

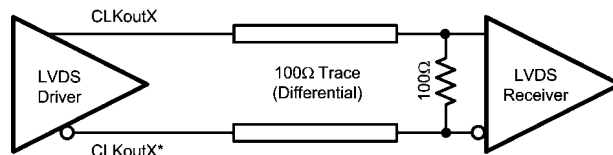
- Transmission line theory should be followed for good impedance matching to prevent reflections.
- Clock drivers should be presented with the proper loads.
 - LVDS drivers are current drivers and require a closed current loop.
 - LVPECL drivers are open emitter and require a DC path to ground.
- Receivers should be presented with a signal biased to their specified DC bias level (common mode voltage) for proper operation. Some receivers have self-biasing inputs that automatically bias to the proper voltage level. In this case, the signal should normally be AC coupled.

It is possible to drive a non-LVPECL or non-LVDS receiver with a LVDS or LVPECL driver as long as the above guide-

lines are followed. Check the datasheet of the receiver or input being driven to determine the best termination and coupling method to be sure the receiver is biased at the optimum DC voltage (common mode voltage). For example, when driving the OSCin/OSCin* input of the LMK01000 family, OSCin/OSCin* should be AC coupled because OSCin/OSCin* biases the signal to the proper DC level, see [Figure 1](#). This is only slightly different from the AC coupled cases described (See [Section 3.4.2](#)) because the DC blocking capacitors are placed between the termination and the OSCin/OSCin* pins, but the concept remains the same, which is the receiver (OSCin/OSCin*) set the input to the optimum DC bias voltage (common mode voltage), not the driver.

3.4.1 Termination for DC Coupled Differential Operation

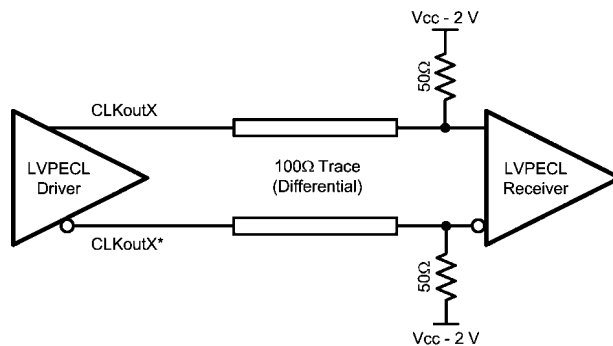
For DC coupled operation of an LVDS driver, terminate with 100 Ω as close as possible to the LVDS receiver as shown in [Figure 3](#). To ensure proper LVDS operation when DC coupling it is recommended to use LVDS receivers without fail-safe or internal input bias such as National Semiconductor's DS90LV110T. The LVDS driver will provide the DC bias level for the LVDS receiver. For operation with LMK01000 family LVDS drivers it is recommended to use AC coupling with LVDS receivers that have an internal DC bias voltage. Some fail-safe circuitry will present a DC bias (common mode voltage) which will prevent the LVDS driver from working correctly. This precaution does not apply to the LVPECL drivers.



30042820

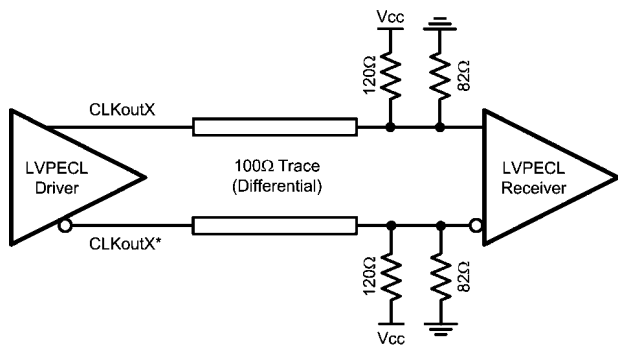
FIGURE 3. Differential LVDS Operation, DC Coupling

For DC coupled operation of an LVPECL driver, terminate with 50 Ω to $V_{CC} - 2$ V as shown in [Figure 4](#). Alternatively terminate with a Thevenin equivalent circuit (120 Ω resistor connected to V_{CC} and an 82 Ω resistor connected to ground with the driver connected to the junction of the 120 Ω and 82 Ω resistors) as shown in [Figure 5](#) for $V_{CC} = 3.3$ V.



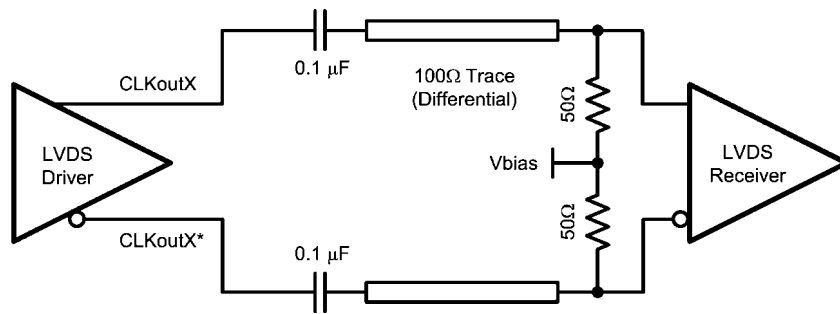
30042821

FIGURE 4. Differential LVPECL Operation, DC Coupling



30042822

FIGURE 5. Differential LVPECL Operation, DC Coupling, Thevenin Equivalent

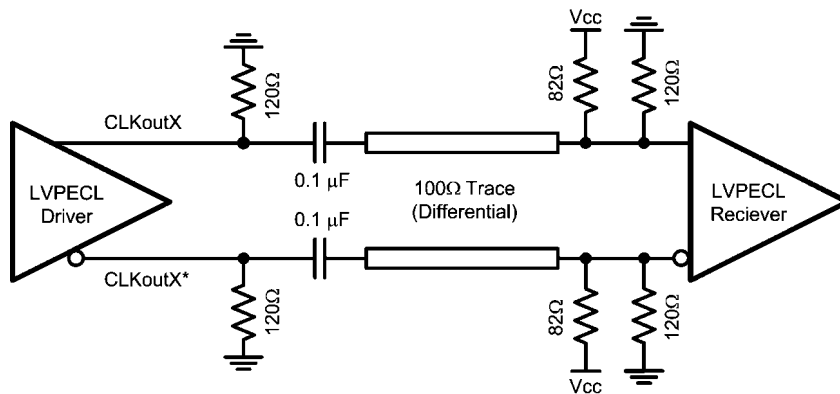


30042823

FIGURE 6. Differential LVDS Operation, AC Coupling

LVPECL drivers require a DC path to ground. When AC coupling an LVPECL signal use 120 Ω emitter resistors close to the LVPECL driver to provide a DC path to ground as shown in [Figure 10](#). For proper receiver operation, the signal should be biased to the DC bias level (common mode voltage) specified by the receiver. The typical DC bias voltage (common mode voltage) for LVPECL receivers is 2 V. A Thevenin

equivalent circuit (82 Ω resistor connected to Vcc and a 120 Ω resistor connected to the junction of the 82 Ω and 120 Ω resistors) is a valid termination as shown in [Figure 7](#) for Vcc = 3.3 V. Note: this Thevenin circuit is different from the DC coupled example in [Figure 5](#).



30042824

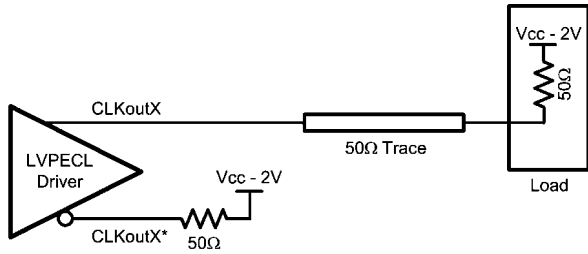
FIGURE 7. Differential LVPECL Operation, AC Coupling, Thevenin Equivalent

3.4.3 Termination for Single-Ended Operation

A balun can be used with either LVDS or LVPECL drivers to convert the balanced, differential signal into an unbalanced, single-ended signal.

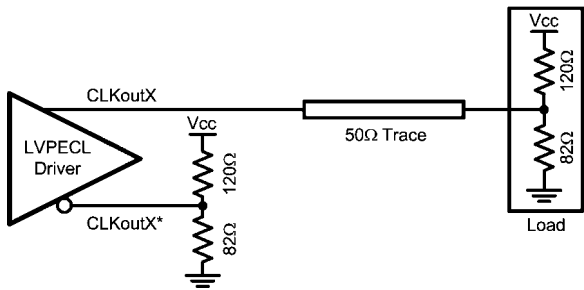
It is possible to use an LVPECL driver as one or two separate 800 mV p-p signals. When DC coupling one of the LMK01000 family LVPECL drivers, the termination should still be 50 Ω to Vcc - 2 V as shown in [Figure 8](#). Again the Thevenin equivalent circuit (120 Ω resistor connected to Vcc and an 82 Ω resistor connected to ground with the driver connected to the junction

of the 120 Ω and 82 Ω resistors) is a valid termination as shown in *Figure 9* for $V_{CC} = 3.3\text{ V}$.



30042825

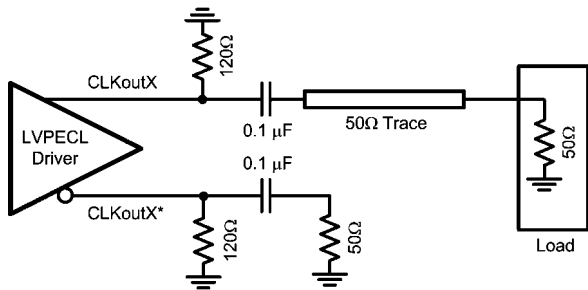
FIGURE 8. Single-Ended LVPECL Operation, DC Coupling



30042826

FIGURE 9. Single-Ended LVPECL Operation, DC Coupling, Thevenin Equivalent

When AC coupling an LVPECL driver use a 120 Ω emitter resistor to provide a DC path to ground and ensure a 50 Ω termination with the proper DC bias level for the receiver. The typical DC bias voltage for LVPECL receivers is 2 V (See *Section 3.4.1*). If the other driver is not used it should be terminated with either a proper AC or DC termination. This latter example of AC coupling a single-ended LVPECL signal can be used to measure single-ended LVPECL performance using a spectrum analyzer or phase noise analyzer. When using most RF test equipment no DC bias point (0 V DC) is expected for safe and proper operation. The internal 50 Ω termination the test equipment correctly terminates the LVPECL driver being measured as shown in *Figure 10*. When using only one LVPECL driver of a CLKoutX/CLKoutX* pair, be sure to properly terminated the unused driver.



30042827

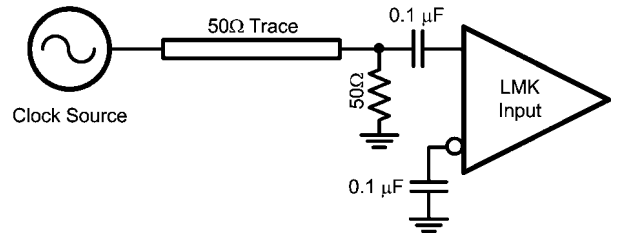
FIGURE 10. Single-Ended LVPECL Operation, AC Coupling

3.4.4 Conversion to LVCMOS Outputs

To drive an LVCMOS input with an LMK01000 family LVDS or LVPECL output, an LVPECL/LVDS to LVCMOS converter such as National Semiconductor's DS90LV018A, DS90LV028A, DS90LV048A, etc. is required. For best noise performance, LVPECL provides a higher voltage swing into input of the converter.

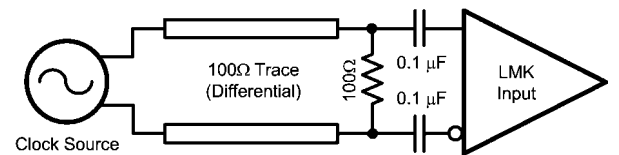
3.5 OSCin INPUT

In addition to LVDS and LVPECL inputs, OSCin can also be driven with a sine wave. The OSCin input can be driven single-ended or differentially with sine waves. These configurations are shown in *Figure 11* and *Figure 12*.



30042828

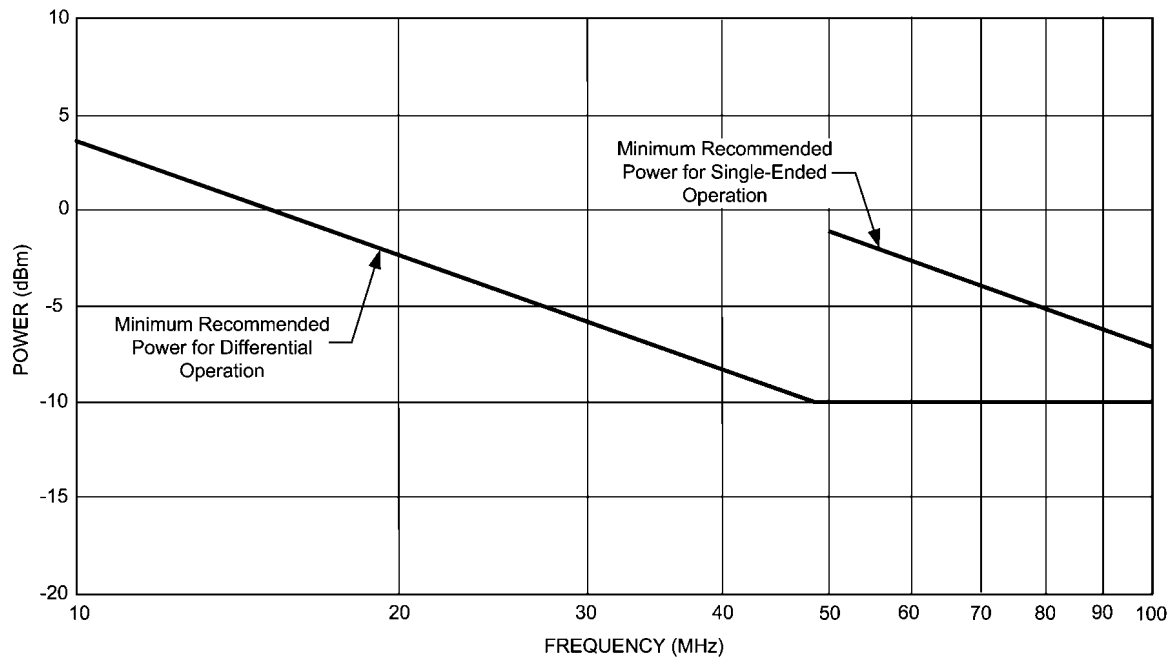
FIGURE 11. Single-Ended Sine Wave Input



30042829

FIGURE 12. Differential Sine Wave Input

Figure 13 shows the recommended power level for sine wave operation for both differential and single-ended sources over frequency. The part will operate at power levels below the recommended power level, but as power decreases the PLL noise performance will degrade. The VCO noise performance will remain constant. At the recommended power level the PLL phase noise degradation from full power operation (8 dBm) is less than 2 dB.



30042830

FIGURE 13. Recommended OSCin Power for Operation with a Sine Wave Input

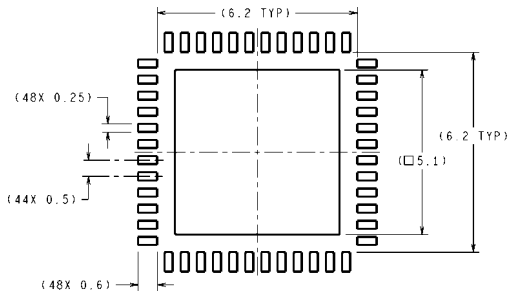
3.6 MORE THAN EIGHT OUTPUTS WITH AN LMK01000 FAMILY DEVICE

The LMK01000 family device can be used in conjunction with a LMK02000, LMK03000, LMK04000, or even another LMK01000 device in order to produce more than 8 outputs. When doing this, attention needs to be given to how the frequencies are assigned for each output to eliminate synchronization issues. Refer to AN-1864 for more details.

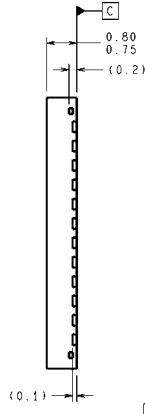
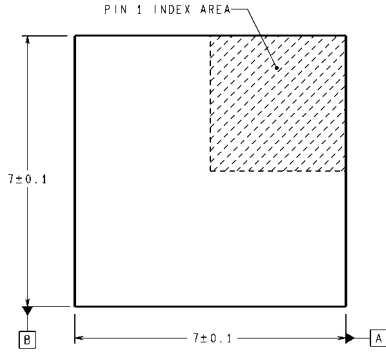
3.7 GLOBAL DELAY THROUGH AN LMK01000 FAMILY DEVICE

The delay from CLKin to CLKout is deterministic, but can vary based on the engaged delays and dividers as discussed in *Section 2.3.2* for the CLKoutX_MUX bit. In addition, there can be variations based on voltage, temperature, and frequency. AN-1864 discusses this global delay in more detail.

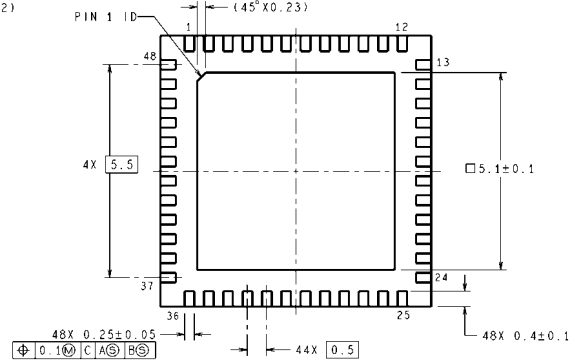
Physical Dimensions inches (millimeters) unless otherwise noted



RECOMMENDED LAND PATTERN



DIMENSIONS ARE IN MILLIMETERS
DIMENSIONS IN () FOR REFERENCE ONLY



SQA48A (Rev B)

Leadless Leadframe Package (Bottom View)
48 Pin LLP (SQA48A) Package

| Order Number | Package Marking | Packing |
|--------------|-----------------|-------------------------|
| LMK01000ISQX | K01000 I | 2500 Unit Tape and Reel |
| LMK01000ISQ | K01000 I | 1000 Unit Tape and Reel |
| LMK01000ISQE | K01000 I | 250 Unit Tape and Reel |
| LMK01010ISQX | K01010 I | 2500 Unit Tape and Reel |
| LMK01010ISQ | K01010 I | 1000 Unit Tape and Reel |
| LMK01010ISQE | K01010 I | 250 Unit Tape and Reel |
| LMK01020ISQX | K01020 I | 2500 Unit Tape and Reel |
| LMK01020ISQ | K01020 I | 1000 Unit Tape and Reel |
| LMK01020ISQE | K01020 I | 250 Unit Tape and Reel |

Notes

Notes

For more National Semiconductor product information and proven design tools, visit the following Web sites at:

| Products | | Design Support | |
|--------------------------------|--|------------------------------|--|
| Amplifiers | www.national.com/amplifiers | WEBENCH® Tools | www.national.com/webench |
| Audio | www.national.com/audio | App Notes | www.national.com/appnotes |
| Clock and Timing | www.national.com/timing | Reference Designs | www.national.com/refdesigns |
| Data Converters | www.national.com/adc | Samples | www.national.com/samples |
| Interface | www.national.com/interface | Eval Boards | www.national.com/evalboards |
| LVDS | www.national.com/lvds | Packaging | www.national.com/packaging |
| Power Management | www.national.com/power | Green Compliance | www.national.com/quality/green |
| Switching Regulators | www.national.com/switchers | Distributors | www.national.com/contacts |
| LDOs | www.national.com/lido | Quality and Reliability | www.national.com/quality |
| LED Lighting | www.national.com/led | Feedback/Support | www.national.com/feedback |
| Voltage Reference | www.national.com/vref | Design Made Easy | www.national.com/easy |
| PowerWise® Solutions | www.national.com/powerwise | Solutions | www.national.com/solutions |
| Serial Digital Interface (SDI) | www.national.com/sdi | Mil/Aero | www.national.com/milaero |
| Temperature Sensors | www.national.com/tempensors | SolarMagic™ | www.national.com/solarmagic |
| Wireless (PLL/VCO) | www.national.com/wireless | PowerWise® Design University | www.national.com/training |

THE CONTENTS OF THIS DOCUMENT ARE PROVIDED IN CONNECTION WITH NATIONAL SEMICONDUCTOR CORPORATION ("NATIONAL") PRODUCTS. NATIONAL MAKES NO REPRESENTATIONS OR WARRANTIES WITH RESPECT TO THE ACCURACY OR COMPLETENESS OF THE CONTENTS OF THIS PUBLICATION AND RESERVES THE RIGHT TO MAKE CHANGES TO SPECIFICATIONS AND PRODUCT DESCRIPTIONS AT ANY TIME WITHOUT NOTICE. NO LICENSE, WHETHER EXPRESS, IMPLIED, ARISING BY ESTOPPEL OR OTHERWISE, TO ANY INTELLECTUAL PROPERTY RIGHTS IS GRANTED BY THIS DOCUMENT.

TESTING AND OTHER QUALITY CONTROLS ARE USED TO THE EXTENT NATIONAL DEEMS NECESSARY TO SUPPORT NATIONAL'S PRODUCT WARRANTY. EXCEPT WHERE MANDATED BY GOVERNMENT REQUIREMENTS, TESTING OF ALL PARAMETERS OF EACH PRODUCT IS NOT NECESSARILY PERFORMED. NATIONAL ASSUMES NO LIABILITY FOR APPLICATIONS ASSISTANCE OR BUYER PRODUCT DESIGN. BUYERS ARE RESPONSIBLE FOR THEIR PRODUCTS AND APPLICATIONS USING NATIONAL COMPONENTS. PRIOR TO USING OR DISTRIBUTING ANY PRODUCTS THAT INCLUDE NATIONAL COMPONENTS, BUYERS SHOULD PROVIDE ADEQUATE DESIGN, TESTING AND OPERATING SAFEGUARDS.

EXCEPT AS PROVIDED IN NATIONAL'S TERMS AND CONDITIONS OF SALE FOR SUCH PRODUCTS, NATIONAL ASSUMES NO LIABILITY WHATSOEVER, AND NATIONAL DISCLAIMS ANY EXPRESS OR IMPLIED WARRANTY RELATING TO THE SALE AND/OR USE OF NATIONAL PRODUCTS INCLUDING LIABILITY OR WARRANTIES RELATING TO FITNESS FOR A PARTICULAR PURPOSE, MERCHANTABILITY, OR INFRINGEMENT OF ANY PATENT, COPYRIGHT OR OTHER INTELLECTUAL PROPERTY RIGHT.

LIFE SUPPORT POLICY

NATIONAL'S PRODUCTS ARE NOT AUTHORIZED FOR USE AS CRITICAL COMPONENTS IN LIFE SUPPORT DEVICES OR SYSTEMS WITHOUT THE EXPRESS PRIOR WRITTEN APPROVAL OF THE CHIEF EXECUTIVE OFFICER AND GENERAL COUNSEL OF NATIONAL SEMICONDUCTOR CORPORATION. As used herein:

Life support devices or systems are devices which (a) are intended for surgical implant into the body, or (b) support or sustain life and whose failure to perform when properly used in accordance with instructions for use provided in the labeling can be reasonably expected to result in a significant injury to the user. A critical component is any component in a life support device or system whose failure to perform can be reasonably expected to cause the failure of the life support device or system or to affect its safety or effectiveness.

National Semiconductor and the National Semiconductor logo are registered trademarks of National Semiconductor Corporation. All other brand or product names may be trademarks or registered trademarks of their respective holders.

Copyright© 2009 National Semiconductor Corporation

For the most current product information visit us at www.national.com



National Semiconductor Americas Technical Support Center
 Email: support@nsc.com
 Tel: 1-800-272-9959

National Semiconductor Europe Technical Support Center
 Email: europe.support@nsc.com

National Semiconductor Asia Pacific Technical Support Center
 Email: ap.support@nsc.com

National Semiconductor Japan Technical Support Center
 Email: jpn.feedback@nsc.com