

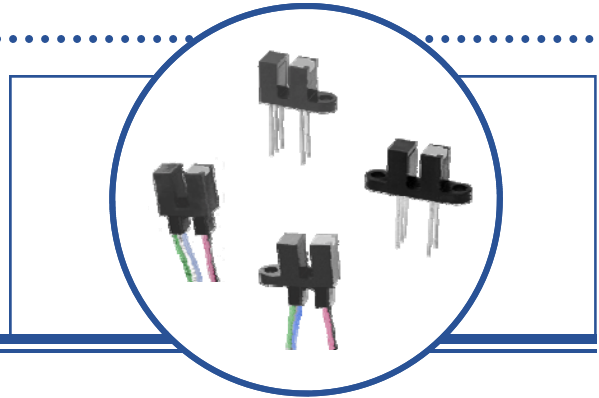
Photologic® Slotted Optical Switch

OPB460, OPB470, OPB480, OPB490 Series



Features:

- Choice of pins or wires mounting configuration
- Choice of aperture
- Choice of output configuration
- Choice of opaque or IR transmissive shell material
- Data rates to 250 kBaud
- Low power consumption



Description:

The **OPB460, OPB470, OPB480** and **OPB490** series of Photologic® photo integrated circuit switches provide optimum flexibility for the design engineer. Building from a standard housing with a 0.125" (3.180 mm) wide slot, a user can specify the type and polarity of TTL output, discrete shell material, aperture width and choice of mounting configurations. **OPB460** through **OPB473** have 0.425" (10.795 mm) PCBoard leads with 0.320" (8.1 mm) spacing. **OPB480** through **OPB493** have 24" (609 mm) 26 AWG wires (UL approved wires).

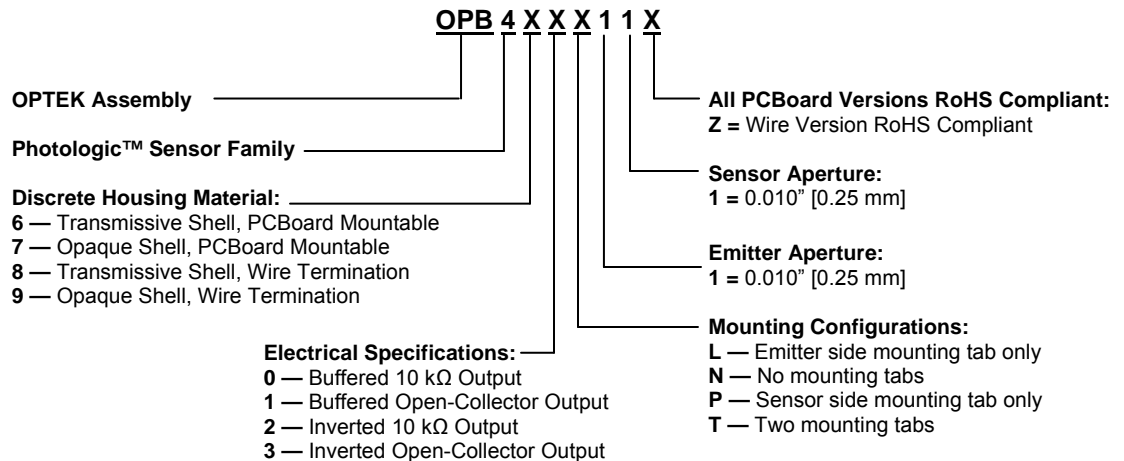
All devices in this series exhibit performance over supply voltages ranging from 4.5 V to 16.0 V, and may be specified as buffered or inverted with 10 kW Pull-up or Open Collector output. Devices are also TTI/LSTTL compatible and can drive up to 10 TTL loads.

Custom electrical, wire and cabling and connectors are available. Contact your local representative or OPTEK for more information.

Applications:

- Mechanical switch replacement
- Speed indication (tachometer)
- Mechanical limit indication
- Edge sensing

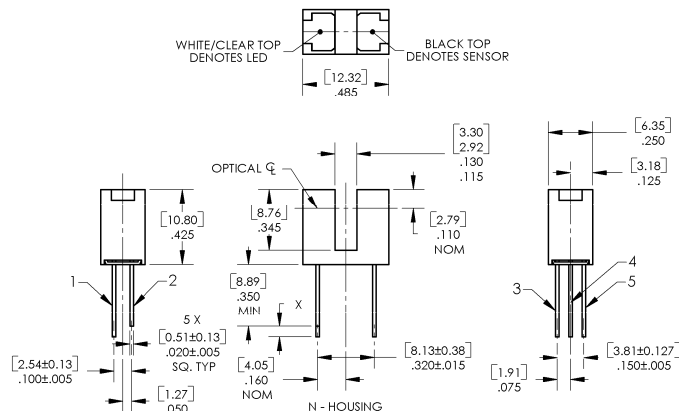
Part Number Guide — OPB460, OPB470, OPB480, OPB490 Series



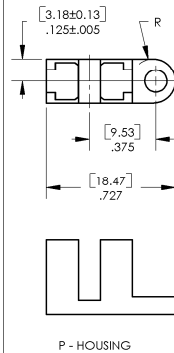
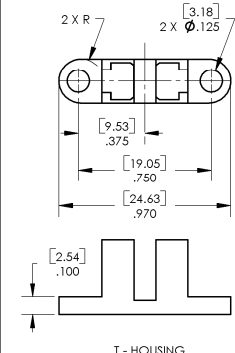
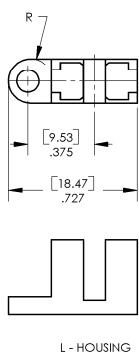
RoHS

OPTEK reserves the right to make changes at any time in order to improve design and to supply the best product possible.

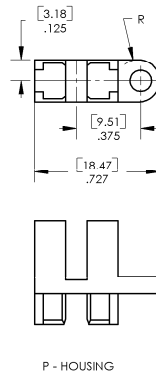
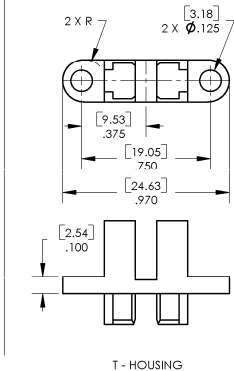
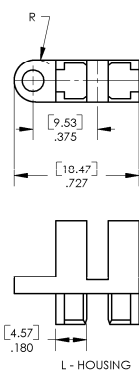
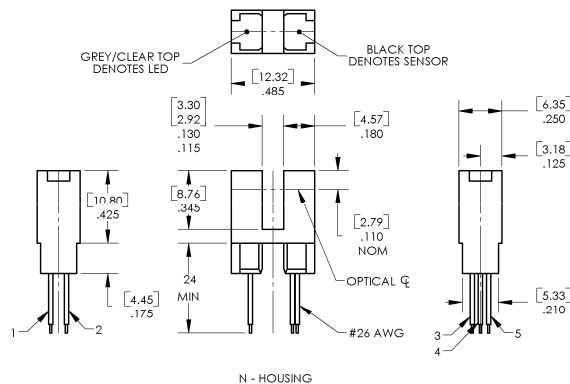
Photologic® Slotted Optical Switch OPB460, OPB470, OPB480, OPB490 Series



Color-Pin	Description
Red-1	Anode
Black-2	Cathode
White-3	Vcc
Blue-4	Output
Green-5	Ground



DIMENSIONS ARE IN: [MILLIMETERS]
INCHES



CONTAINS POLYSULFONE

To avoid stress cracking, we suggest using ND Industries' **Vibra-Tite** for thread-locking. **Vibra-Tite** evaporates fast without causing structural failure in OPTEK's molded plastics.
Applies to: OPB460, OPB470, OPB480, OPB490.

OPTEK reserves the right to make changes at any time in order to improve design and to supply the best product possible.

Absolute Maximum Ratings ($T_A=25^{\circ}\text{C}$ unless otherwise noted)

Storage & Operating Temperature Range	-40° C to +85° C
Lead Soldering Temperature [1/16 inch (1.6mm) from the case for 5 sec. with soldering iron] ⁽¹⁾	260°C

Input Infrared LED

Supply Voltage, V_{CC} (not to exceed 3 seconds)	18 V
Diode Forward DC Current	40 mA
Diode Reverse DC Voltage	2 V
Input Diode Power Dissipation ⁽²⁾	75 mW

Output Photologic®

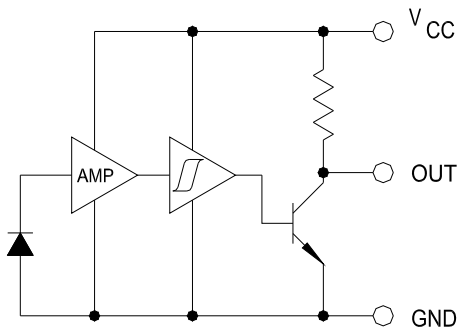
Voltage at Output Lead (Open Collector Output)	25 V
Output Photologic® Power Dissipation ⁽³⁾	200 mW

Total Device Power Dissipation ⁽⁴⁾	275 mW
---	--------

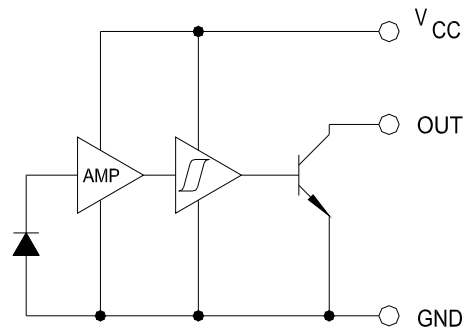
Notes:

- (1) RMA flux is recommended. Duration can be extended to 10 seconds maximum when flow soldering.
- (2) Derate linearly 1.67 mW/°C above 25° C (OPB460, OPB470) or derate linearly 1.82 mW/°C above 25° C (OPB480, OPB490).
- (3) Derate linearly 1.50 mW/°C above 25° C (OPB460, OPB470) or derate linearly 1.64 mW/°C above 25° C (OPB480, OPB490).
- (4) Derate linearly 3.17 mW/°C above 25° C (OPB460, OPB470) or derate linearly 3.45 mW/°C above 25° C (OPB480, OPB490).
- (5) The OPB460/OPB470 series are terminated with 0.020" square leads designed for printed circuit board mounting.
- (6) The OPB480/OPB490 series of switches are terminated with 24" (609.600 mm) of 7-strand 26 AWG, UL rated insulated wire on each terminal. Insulation colors and functions are: red (anode), black (cathode), white (V_{CC}), blue (output) and green (ground). Other wire lengths and/or colors in addition to customer selected connectors are available. Contact your local representative or call the factory.

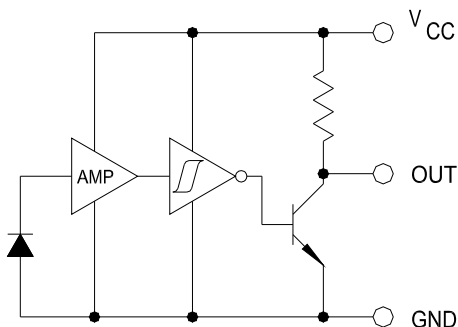
OPB460/470/480/490 Buffered 10K Pull-Up



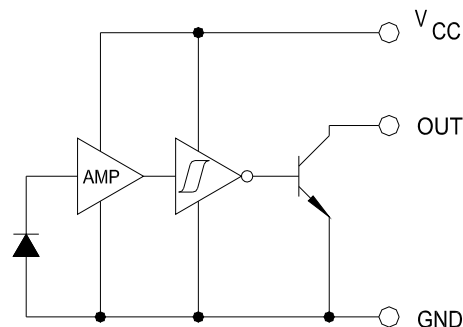
OPB461/471/481/491 Buffered Open-Collector



OPB462/472/482/492 Inverted 10K Pull-Up



OPB463/473/483/493 Inverted Open-Collector



OPTEK reserves the right to make changes at any time in order to improve design and to supply the best product possible.

Electrical Characteristics ($T_A = 25^\circ\text{C}$ unless otherwise noted)

SYMBOL	PARAMETER	MIN	TYP	MAX	UNITS	TEST CONDITIONS
--------	-----------	-----	-----	-----	-------	-----------------

Input Diode

V_F	Forward Voltage	-	-	1.7	V	$I_F = 20\text{ mA}$, $T_A = 25^\circ\text{C}$
I_R	Reverse Current	-	-	100	μA	$V_R = 2\text{ V}$, $T_A = 25^\circ\text{C}$

Output Photologic® Sensor

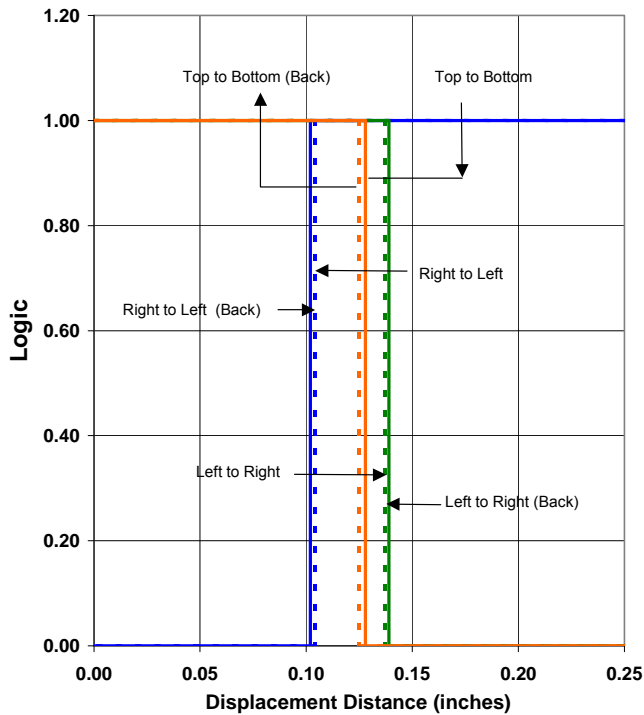
V_{CC}	Operating DC Supply Voltage	4.5	-	16	V	
I_{CCL}	Low Level Supply Current: Buffered with 10k pull-up ⁽¹⁾ Buffered Open-Collector Output	-	-	7.5	mA	$V_{CC} = 16\text{ V}$, $I_F = 0\text{ mA}$ ⁽¹⁾
	Inverted with 10k pull-up: Inverted Open-Collector Output	-	-	7.5	mA	$V_{CC} = 16\text{ V}$, $I_F = 12\text{ mA}$
I_{CCH}	High Level Supply Current: Buffered with 10k pull-up Buffered Open-Collector Output	-	-	7.5	mA	$V_{CC} = 16\text{ V}$, $I_F = 12\text{ mA}$
	Inverted with 10k pull-up: Inverted Open-Collector Output	-	-	7.5	mA	$V_{CC} = 16\text{ V}$, $I_F = 0\text{ mA}$ ⁽¹⁾
V_{OL}	Low Level Output Voltage: Buffered with 10k pull-up Buffered Open-Collector Output	-	-	0.4	V	$V_{CC} = 4.5\text{ V}$, $I_{OL} = 16\text{ mA}$, $I_F = 0\text{ mA}$
	Inverted with 10k pull-up: Inverted Open-Collector Output	-	-	0.4	V	$V_{CC} = 4.5\text{ V}$, $I_F = 12\text{ mA}$ ⁽¹⁾
V_{OH}	High Level Output Voltage: Buffered with 10k pull-up	V_{CC} -1.5	-	-	V	$V_{CC} = 4.5\text{ V to }16\text{ V}$, No Load, $I_F = 12\text{ mA}$
	Inverted with 10k pull-up: Inverted Open-Collector Output ⁽¹⁾	V_{CC} -1.5	-	-	V	$V_{CC} = 4.5\text{ V to }16\text{ V}$, No Load, $I_F = 0\text{ mA}$
I_{OH}	High Level Output Current: Buffered Open-Collector Output	-	-	14	μA	$V_{CC} = 16\text{ V}$, $I_F = 12\text{ mA}$, $V_{OH} = 25\text{ V}$, $T_A = 25^\circ\text{C}$
	Inverted with 10k pull-up: Inverted Open-Collector Output ⁽¹⁾	-	-	14	μA	$V_{CC} = 16\text{ V}$, $I_F = 0\text{ mA}$, $V_{OH} = 25\text{ V}$, $T_A = 25^\circ\text{C}$
$I_{F(+)}$	LED Positive-Going Threshold Current	-	-	10	mA	$V_{CC} = 5\text{ V}$, $T_A = 25^\circ\text{C}$
$I_{F(+)} I_{F(-)}$	Hysteresis	-	1.4	-	-	$V_{CC} = 5\text{ V}$
t_r, t_f	Rise Time, Fall Time	-	50	-	ns	$V_{CC} = 5\text{ V}$, $T_A = 25^\circ\text{C}$, $I_F = 0$ or 12 mA
t_{PLH}, t_{PHL}	Propagation Delay	-	3	-	μs	$R_L = 300\ \Omega$ to 5 V , $C_L = 50\text{ pF}$

Notes:

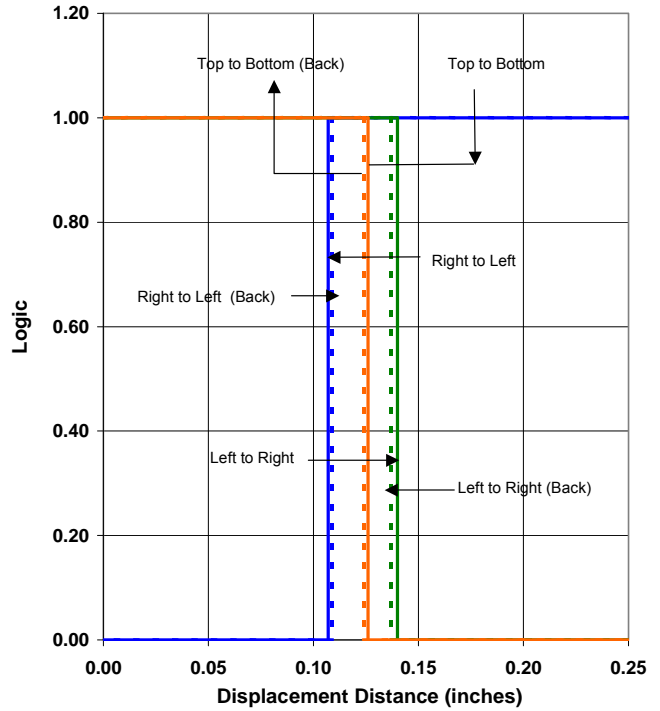
- (1) Normal application would be with light source blocked, simulated by $I_F = 0\text{ mA}$.
- (2) All parameters tested using pulse technique.

OPTEK reserves the right to make changes at any time in order to improve design and to supply the best product possible.

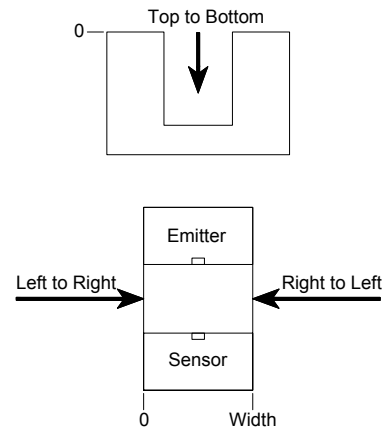
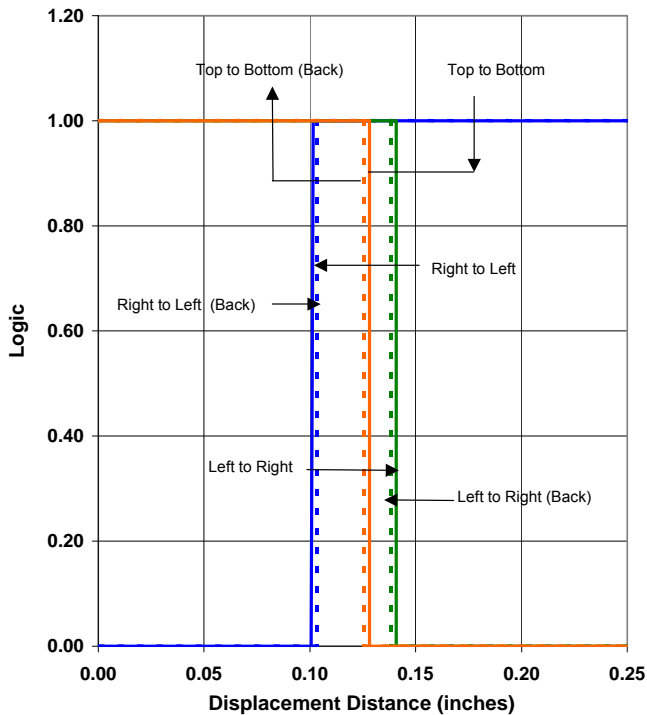
OPB480T55 - Flag Next to Emitter



OPB480T55 - Flag Next to Sensor

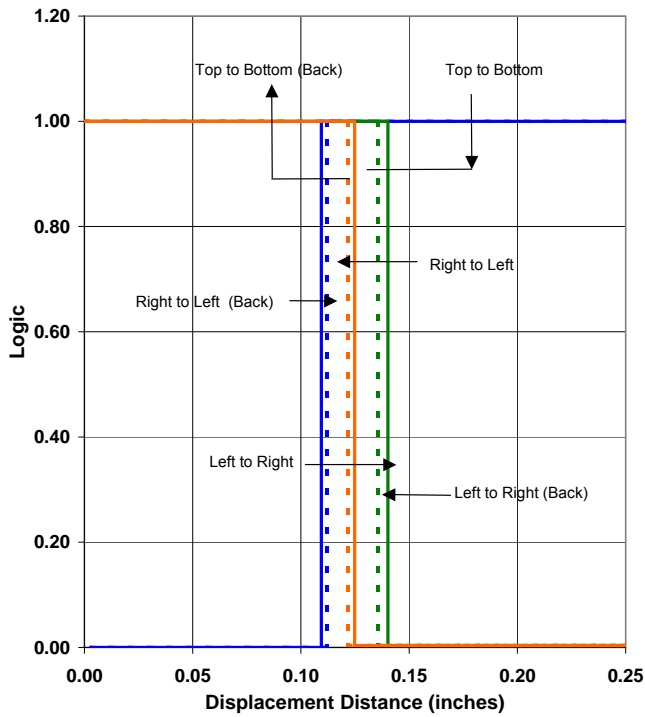


OPB480T55 - Flag in Middle of Slot

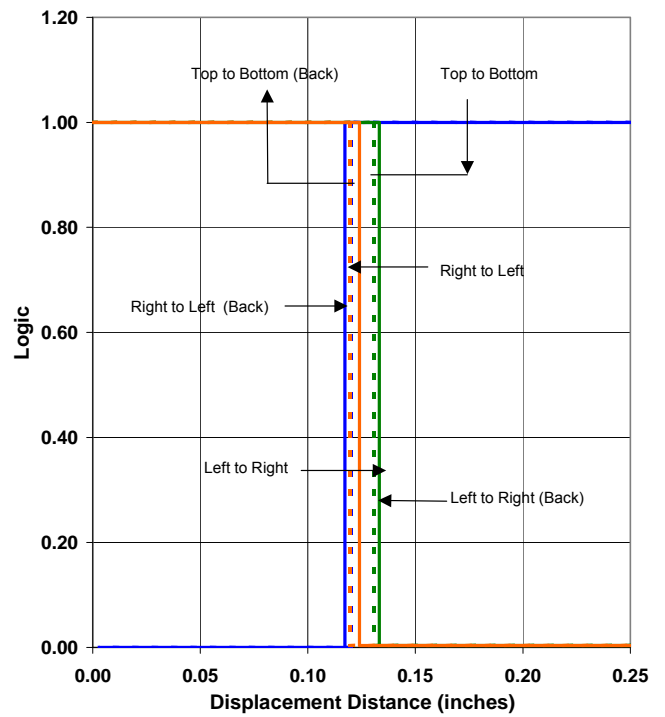


OPTEK reserves the right to make changes at any time in order to improve design and to supply the best product possible.

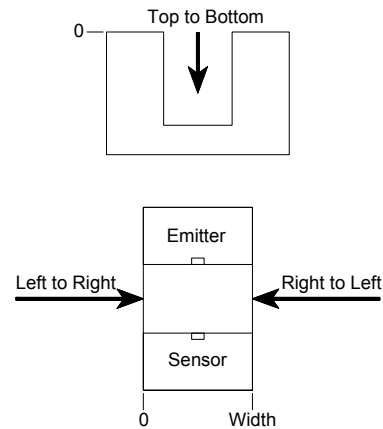
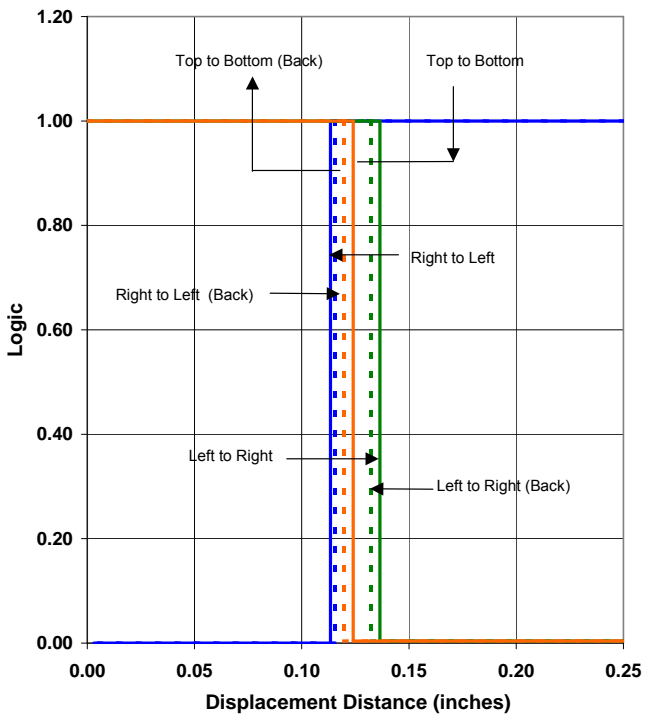
OPB481N51 - Flag Next to Emitter



OPB481N51 - Flag Next to Sensor

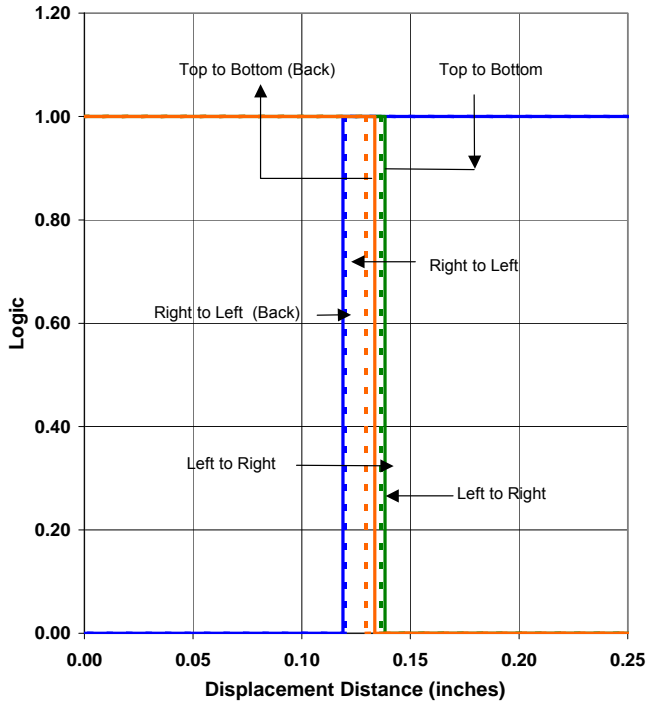


OPB481N51 - Flag in Middle of Slot

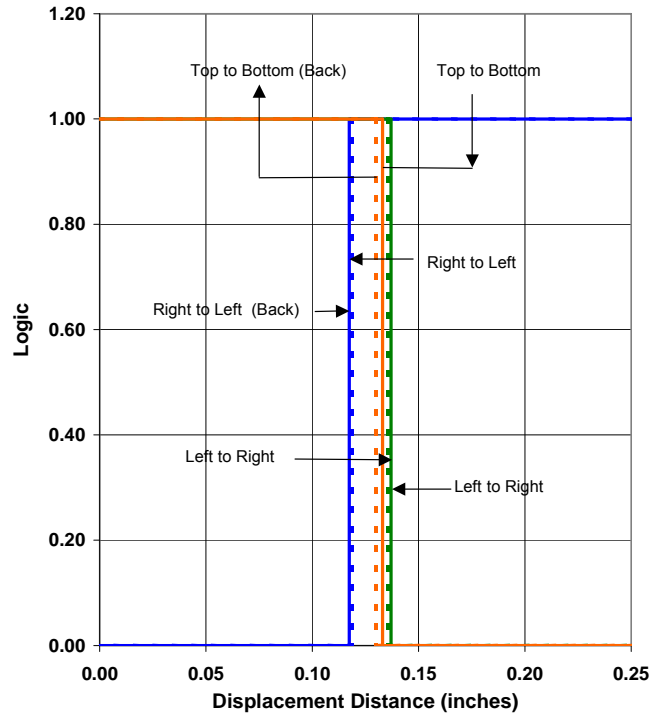


OPTEK reserves the right to make changes at any time in order to improve design and to supply the best product possible.

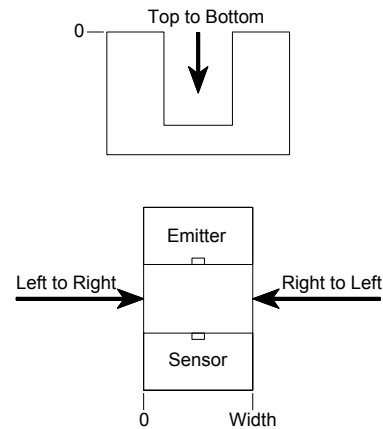
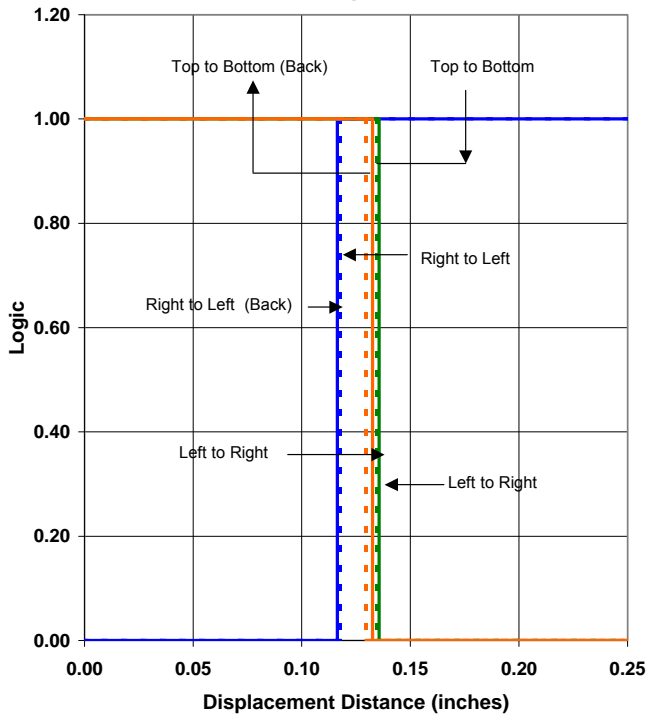
OPB460N11 - Flag Next to Emitter



OPB460N11 - Flag Next to Sensor



OPB460N11 - Flag in Middle of Slot



OPTEK reserves the right to make changes at any time in order to improve design and to supply the best product possible.