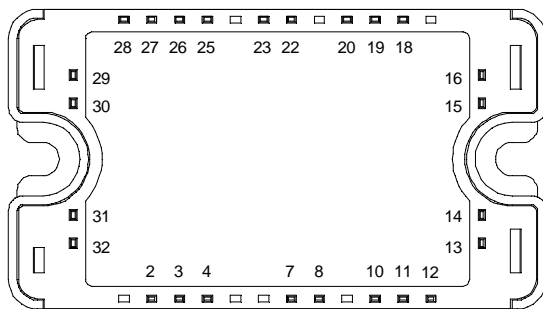
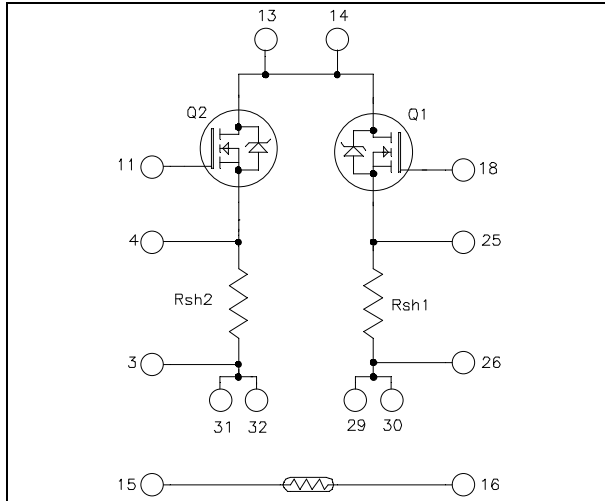


Linear MOSFET Power Module

$$V_{DSS} = 1000V$$

$$R_{DSon} = 600m\Omega \text{ typ @ } T_j = 25^\circ C$$

$$I_D = 20A @ T_c = 25^\circ C$$



Pins 13/14 ; 29/30 ; 31/32 must be shorted together

Application

- Electronic load dedicated to power supplies and battery discharge testing

Features

- Linear MOSFET
- Very low stray inductance
- Internal thermistor for temperature monitoring
- High level of integration
- AlN substrate for improved thermal performance

Benefits

- Direct mounting to heatsink (isolated package)
- easy series and parallels combinations for power and voltage improvements
- Low junction to case thermal resistance
- Solderable terminals both for power and signal for easy PCB mounting
- Low profile
- RoHS Compliant

Absolute maximum ratings (per leg)

Symbol	Parameter	Max ratings	Unit
V_{DSS}	Drain - Source Breakdown Voltage	1000	V
I_D	Continuous Drain Current	$T_c = 25^\circ C$	20
		$T_c = 80^\circ C$	14
I_{DM}	Pulsed Drain current	74	
V_{GS}	Gate - Source Voltage	± 30	V
R_{DSon}	Drain - Source ON Resistance	630	m Ω
P_D	Maximum Power Dissipation ❶	$T_c = 25^\circ C$	520
			W

❶ In saturation mode

CAUTION: These Devices are sensitive to Electrostatic Discharge. Proper Handling Procedures Should Be Followed. See application note APT0502 on www.microsemi.com



All ratings @ $T_j = 25^\circ\text{C}$ unless otherwise specified

Electrical Characteristics (per leg)

Symbol	Characteristic	Test Conditions	Min	Typ	Max	Unit
I _{DSS}	Zero Gate Voltage Drain Current	V _{DS} = 1000V ; V _{GS} = 0V T _j = 25°C			250	μA
		V _{DS} = 800V ; V _{GS} = 0V T _j = 125°C			1000	
R _{DS(on)}	Drain – Source on Resistance	V _{GS} = 10V, I _D = 10A		600	630	mΩ
V _{GS(th)}	Gate Threshold Voltage	V _{GS} = V _{DS} ; I _D = 2.5mA	2		4	V
I _{GSS}	Gate – Source Leakage Current	V _{GS} = ±30 V			±100	nA

Dynamic Characteristics (per leg)

Symbol	Characteristic	Test Conditions	Min	Typ	Max	Unit
C _{iss}	Input Capacitance	V _{GS} = 0V V _{DS} = 25V f = 1MHz		6000		pF
C _{oss}	Output Capacitance			775		
C _{rss}	Reverse Transfer Capacitance			285		

Shunt Electrical Characteristics (per leg)

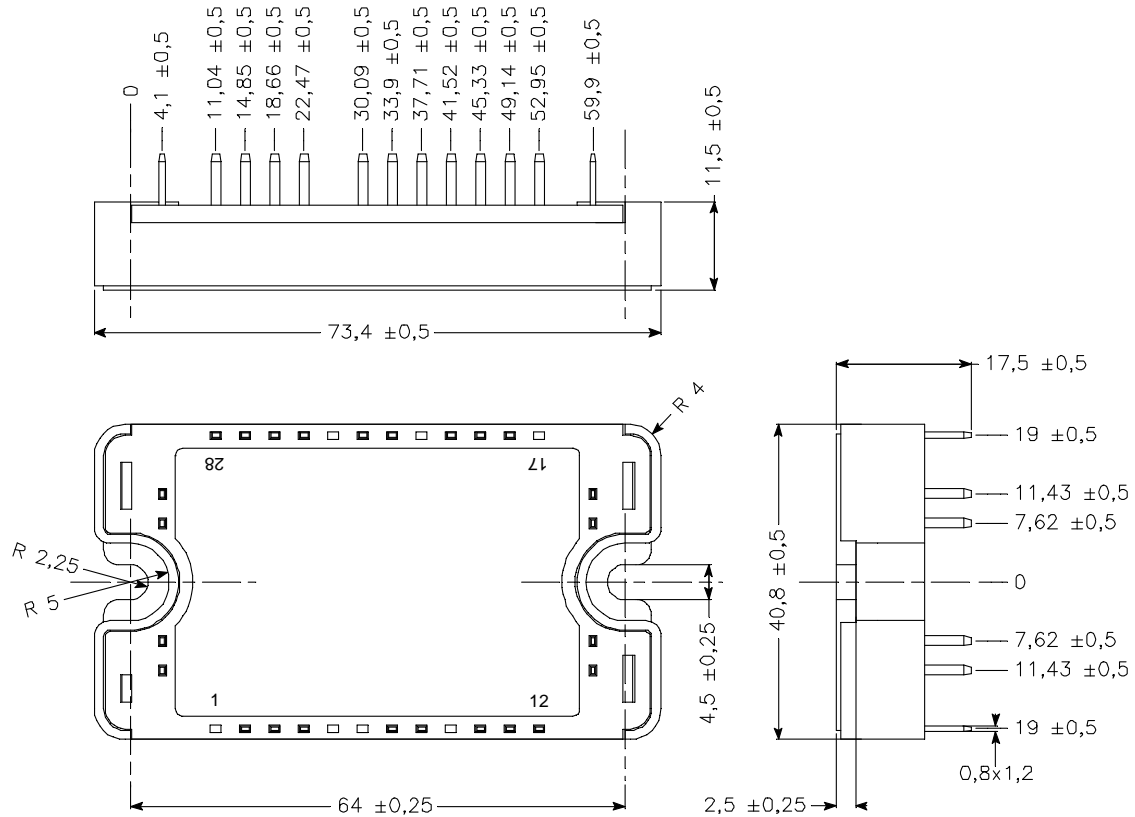
Symbol	Characteristic	Test Conditions	Min	Typ	Max	Unit
R _{sh}	Resistance value			20		mΩ
T _{sh}	Tolerance			2		%
P _{sh}	Load capacity	T _C =25°C			20	W
		T _C =80°C			10	
I _{sh}	Current capacity	T _C =25°C			31	A
		T _C =80°C			22	

Temperature sensor PTC

Symbol	Characteristic	Test Conditions	Min	Typ	Max	Unit
R ₂₅	Resistance @ 25°C		1980		2020	Ω
R ₁₀₀ /R ₂₅	Resistance ratio	T _{amb} =100°C & 25°C	1.676	1.696	1.716	
R ₅₅ /R ₂₅	Resistance ratio	T _{amb} =-55°C & 25°C	0.48	0.49	0.50	
B	Temperature coefficient			7900		ppm/K

Thermal and package characteristics

Symbol	Characteristic	Test Conditions	Min	Typ	Max	Unit
R _{thJC}	Junction to Case Thermal Resistance	MOSFET (per leg)			0.24	°C/W
V _{ISOL}	RMS Isolation Voltage, any terminal to case t =1 min, I _{isol} <1mA, 50/60Hz		4000			V
T _J	Operating junction temperature range		-40		150	°C
T _{STG}	Storage Temperature Range		-40		125	
T _C	Operating Case Temperature		-40		100	
Torque	Mounting torque	To heatsink M4	2.5		4.7	N.m
Wt	Package Weight				110	g

SP3 Package outline (dimensions in mm)


See application note 1901 - Mounting Instructions for SP3 Power Modules on www.microsemi.com

Microsemi reserves the right to change, without notice, the specifications and information contained herein

Microsemi's products are covered by one or more of U.S. patents 4,895,810 5,045,903 5,089,434 5,182,234 5,019,522 5,262,336 6,503,786 5,256,583 4,748,103 5,283,202 5,231,474 5,434,095 5,528,058 6,939,743 7,352,045 5,283,201 5,801,417 5,648,283 7,196,634 6,664,594 7,157,886 6,939,743 7,342,262 and foreign patents. U.S and Foreign patents pending. All Rights Reserved.