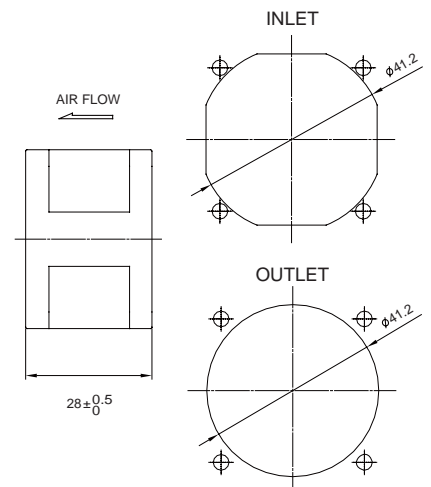
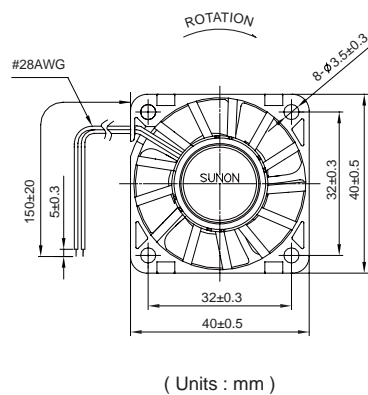
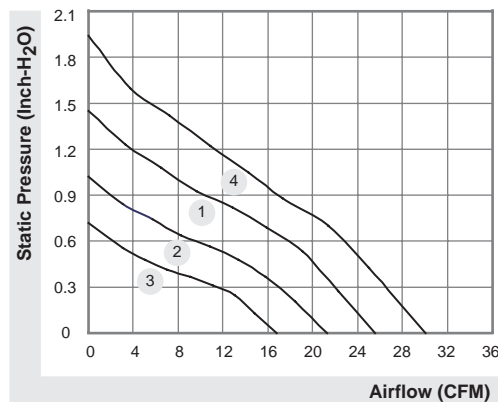


40x40x28 mm

16.8~30.1 CFM



Model	Bearing ● 2BALL	Rating Voltage (VDC)	Power Current (mA)	Power Consumption (WATTS)	Speed (RPM)	Air Flow (CFM)	Static Pressure (Inch-H ₂ O)	Noise (dBA)	Weight (g)	Curve
SG40281B1-0000-A99	●	12	520	6.24	19000	25.6	1.45	58.5	35.0	1
SG40281B2-0000-A99	●	12	350	4.20	16000	21.1	1.02	53.8	35.0	2
SG40281B3-0000-A99	●	12	220	2.64	13000	16.8	0.72	50.0	35.0	3
SG40281BX-0000-H99	●	12	670	8.04	21000	30.1	1.94	63.6	35.0	4



*All model could be customized. Please contact with Sunon Sales.

*Specifications are subject to change without notice. Please Visit SUNON web site at <http://www.sunon.com> for update information.