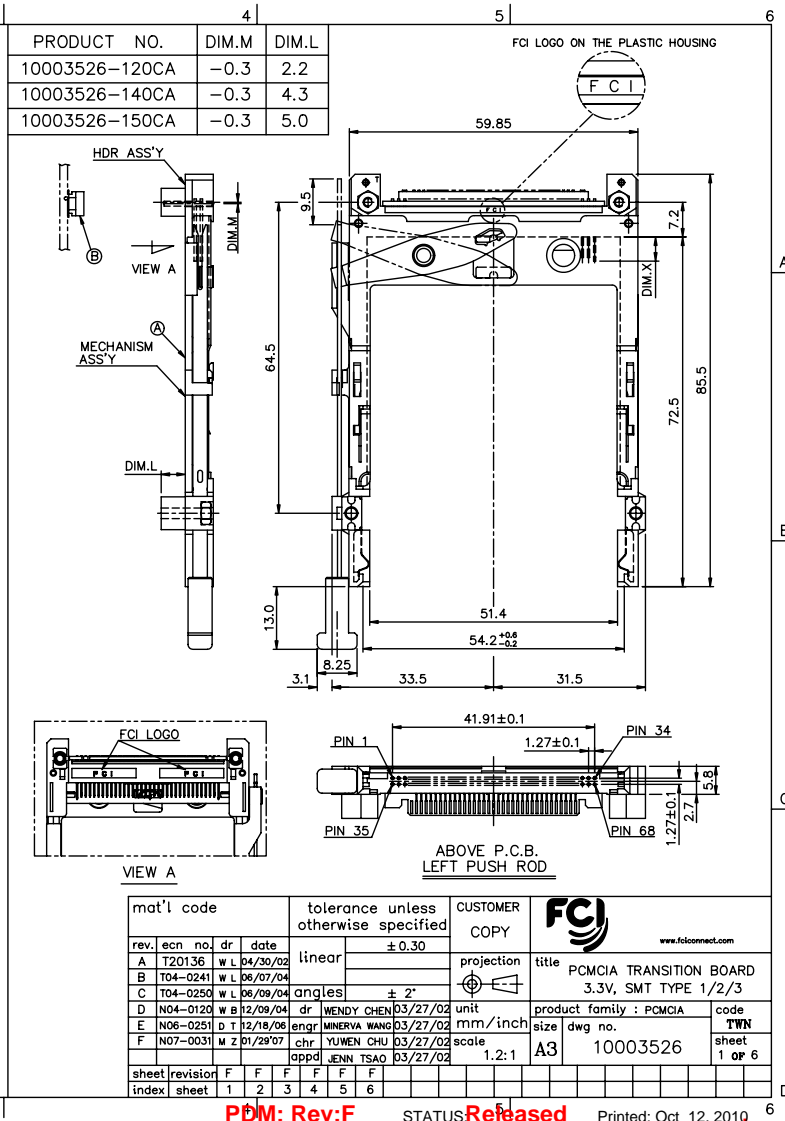
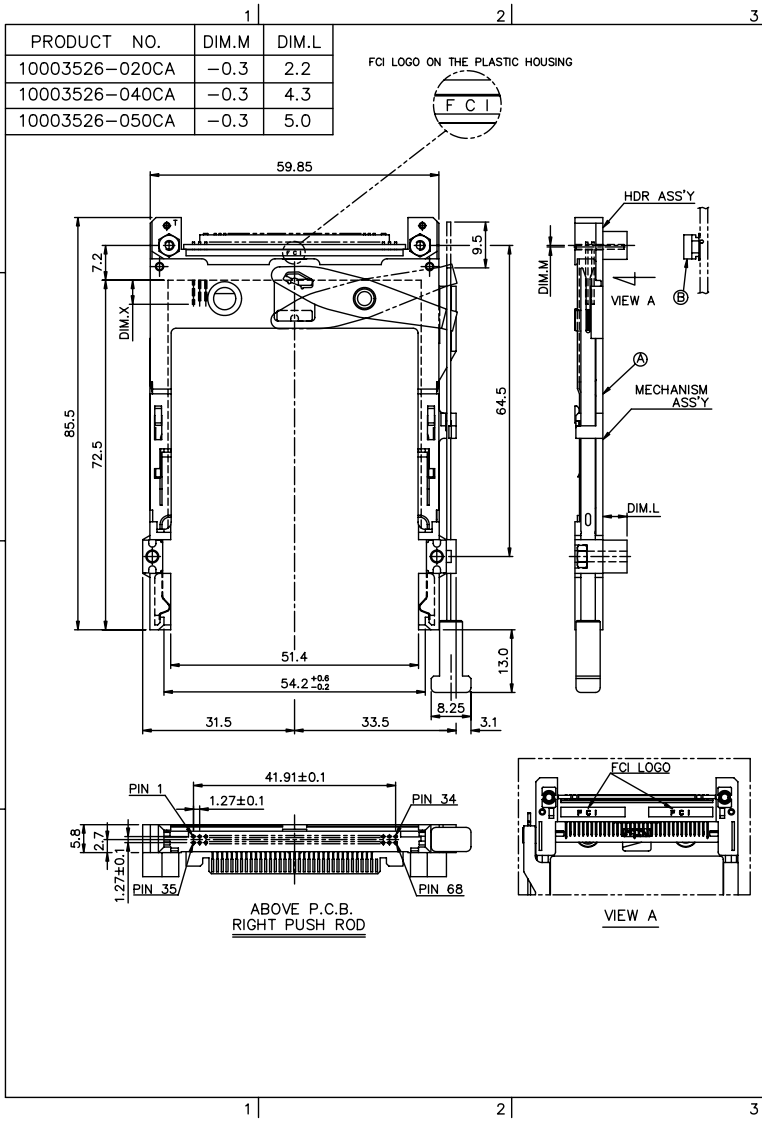


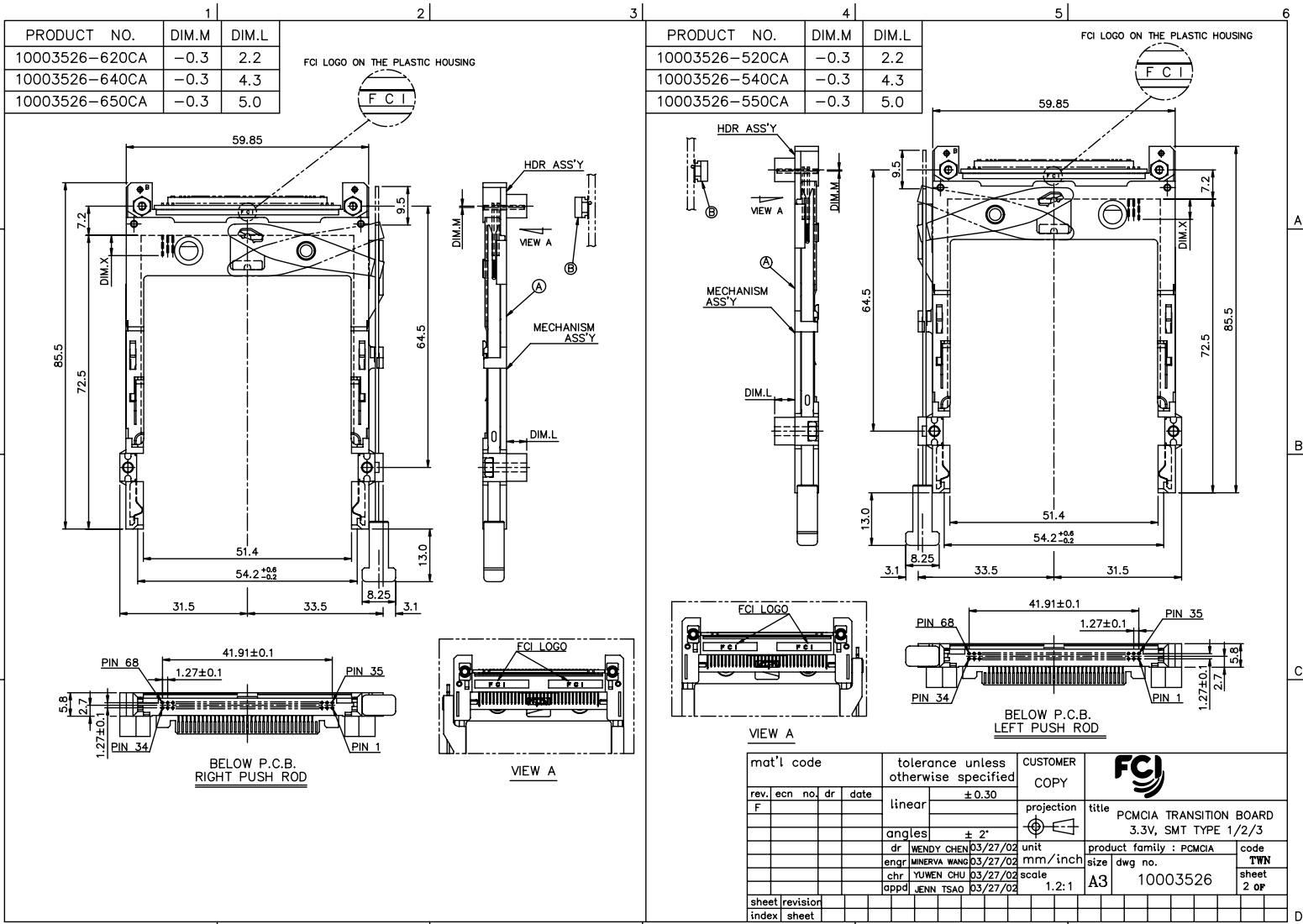
Tous droits strictement réservés. Toute réimpression ou communication à des tiers sans autorisation écrite du propriétaire. Property of BERG ELECTRONICS. Droits de reproduction BERG ELECTRONICS by FCI. All rights strictly reserved. Reproduction or issue to third parties in any form without written authority from the proprietor. Property of BERG ELECTRONICS. Copyright BERG ELECTRONICS by FCI.



mat'l code		tolerance unless otherwise specified		CUSTOMER COPY		FCI	
rev.	ecn no.	dr	date	linear	projection	title	
A	T20136	w	04/30/02			PCMCIA TRANSITION BOARD	
B	T04-0241	w	06/07/04			3.3V, SMT TYPE 1/2/3	
C	T04-0250	w	06/09/04	angles		product family : PCMCIA	
D	N04-0120	w	12/08/04		unit	size	code
E	N06-0251	d	12/18/06		mm/inch	dwg no.	TWN
F	N07-0031	m	01/29/07		scale	10003526	sheet 1 of 6
sheet		F	F	F	F		
index	sheet	1	2	3	4	5	6

**PDM: Rev:F**      STATUS **Released**      Printed: Oct 12, 2010

All rights are reserved. Reproduction or translation of this drawing in any form without the written authority of BERG ELECTRONICS is prohibited.  
 Toute réimpression, reproduction ou traduction de ce document sans autorisation écrite de BERG ELECTRONICS est interdite.  
 Toute réimpression sans autorisation écrite de BERG ELECTRONICS est interdite.



**PDM: Rev:F**      STATUS **Released**      Printed: Oct 12, 2010

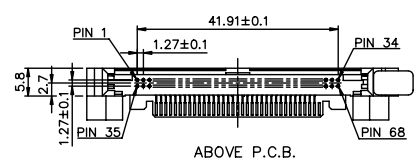
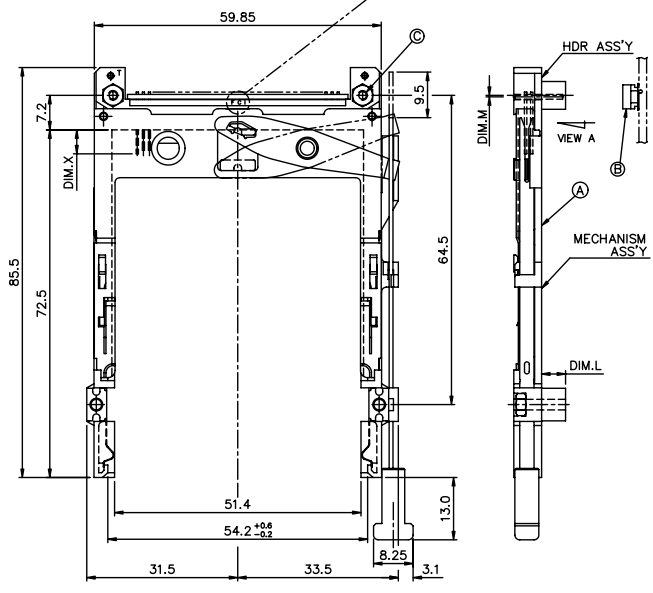
FCI CONFIDENTIAL

FCI

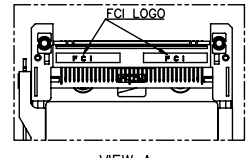
This document is the property of and includes CONFIDENTIAL and PROPRIETARY information of FCI. No part of the information shown on this document may be used in any way or disclosed to others without the written consent of FCI. Copyright © FCI.

PRODUCT NO.	DIM.M	DIM.L
10003526-020CALF	-0.3	2.2
10003526-040CALF	-0.3	4.3
10003526-050CALF	-0.3	5.0

FCI LOGO ON THE PLASTIC HOUSING



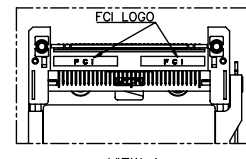
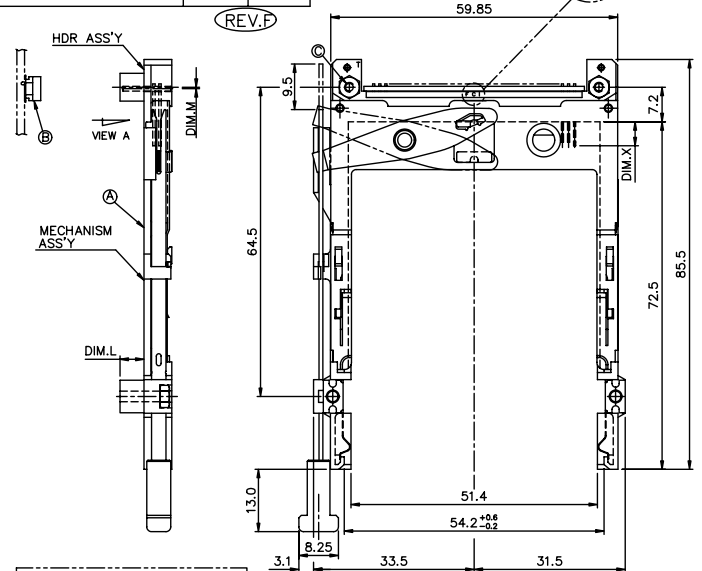
ABOVE P.C.B. RIGHT PUSH ROD



VIEW A

PRODUCT NO.	DIM.M	DIM.L
10003526-120CALF	-0.3	2.2
10003526-140CALF	-0.3	4.3
10003526-150CALF	-0.3	5.0

FCI LOGO ON THE PLASTIC HOUSING



ABOVE P.C.B. LEFT PUSH ROD

mat'l. code	surface ISO 1302	tolerance ISO 406 ISO 101	projection 101	product family PCMCIA
ltr	ecn no	dr	date	title PCMCIA TRANSITION BOARD 3.3V, SMT TYPE 1/2/3
F				
	angles ±2°	linear ±0.2	MM scale 1.2: 1	dwg no 10003526
	dr WENDY CHEN	03/27/02		sheet 3 of size A4
	engr MINERVA WANG	03/27/02		type CUSTOMER Drawing
	chr YUWEN CHU	03/27/02		
	appd JENN TSAO	03/27/02		
sheet index	revision sheet			

PDM! Rev:F

STATUS Released

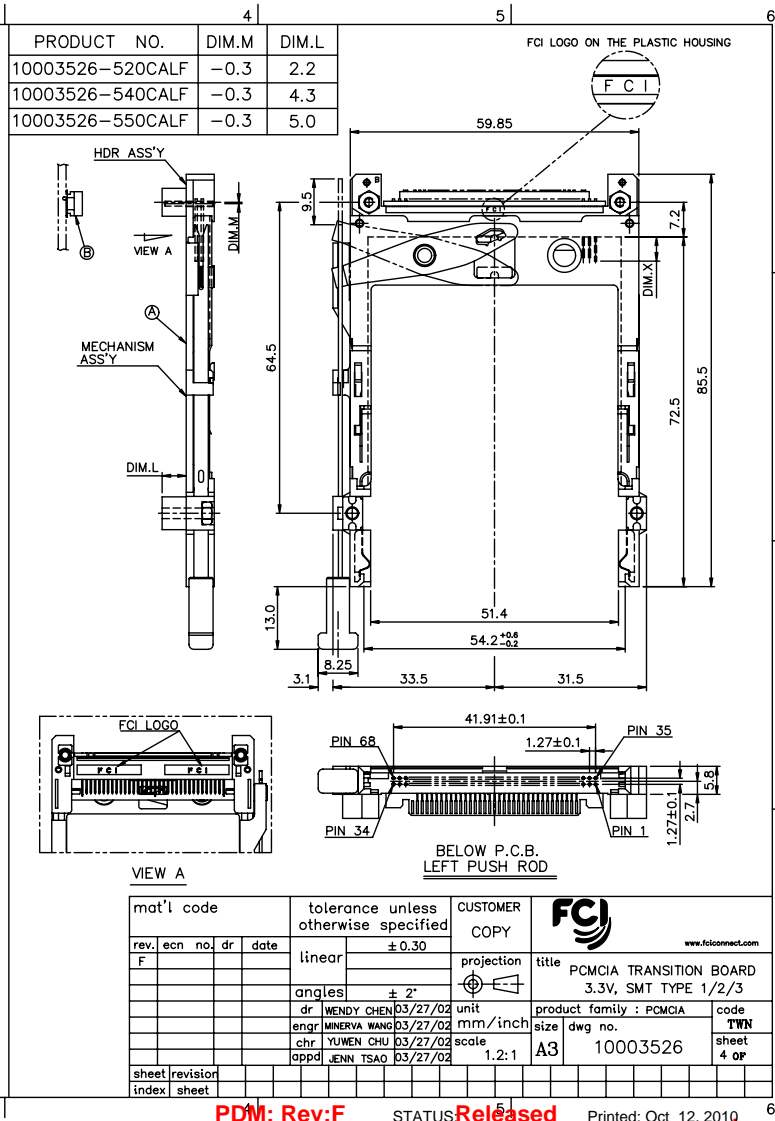
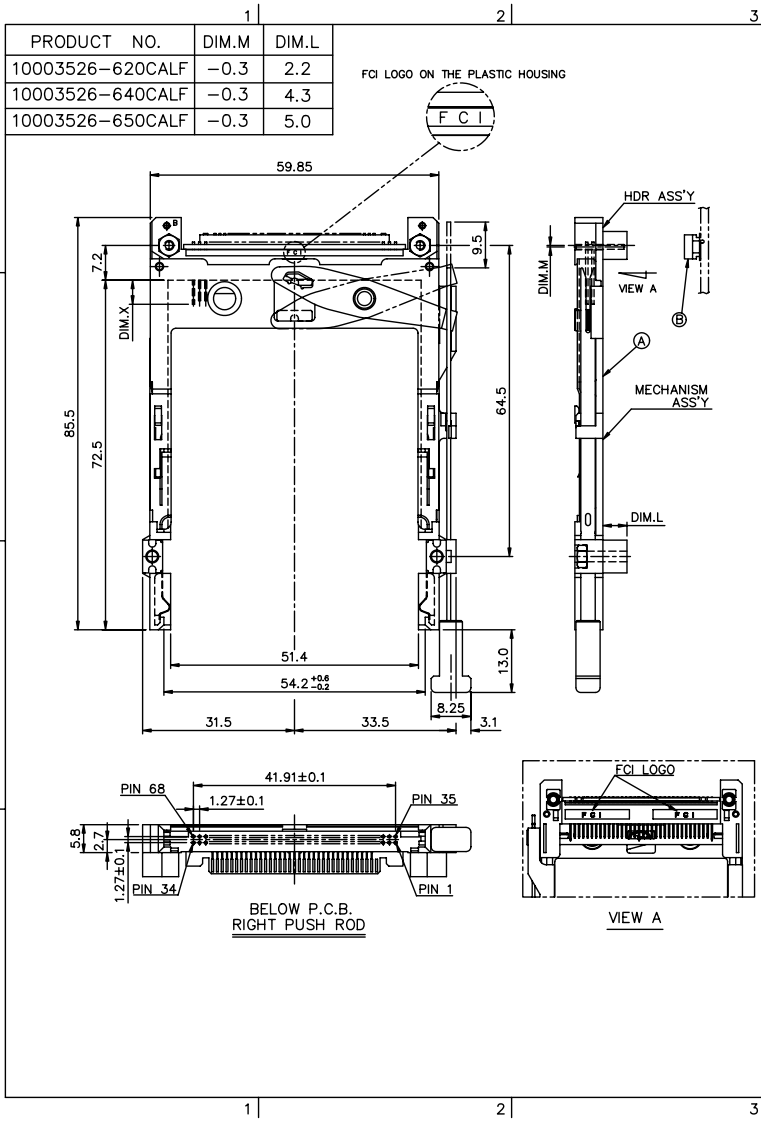
Printed: Oct 12, 2010

form: A3

3

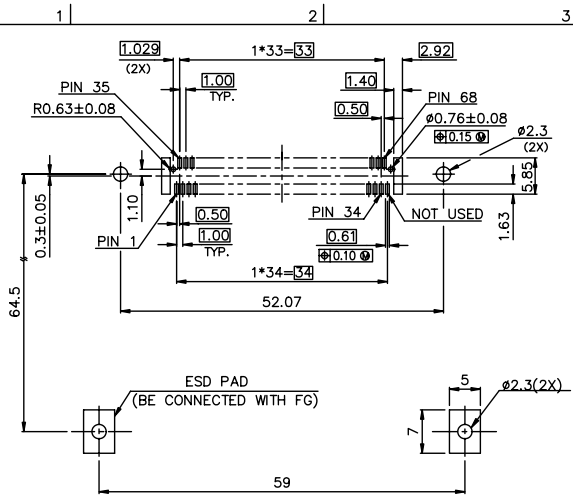
6

All rights are reserved. Reproduction or translation of this drawing in any form without the written authority of FCI is prohibited.  
 Toute réimpression, réproduction ou traduction de ce document sans autorisation écrite du propriétaire est formellement interdite.  
 Toute réimpression, réproduction ou traduction de ce document sans autorisation écrite du propriétaire est formellement interdite.  
 FCI  
 FCI ELECTRONICS  
 Copyright © BERG ELECTRONICS by

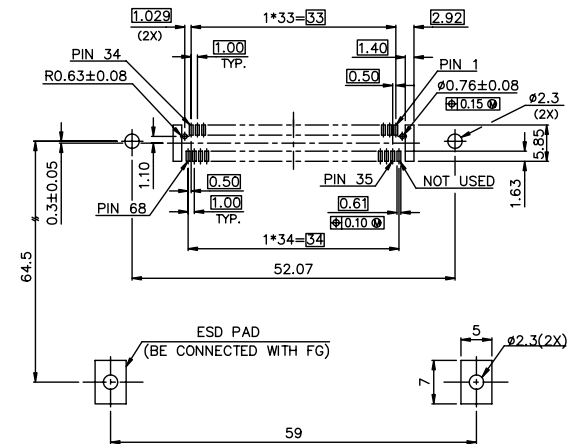


mat'l code	tolerance unless otherwise specified	CUSTOMER COPY	
rev. ecn no. dr date	linear ± 0.30	projection	
	angles ± 2°	unit	title PCMCIA TRANSITION BOARD 3.3V, SMT TYPE 1/2/3
	dr WENDY CHEN 03/27/02	mm/inch	
	enrg MINERVA WANG 03/27/02	size	product family : PCMCIA
	chr YUWEN CHU 03/27/02	scale	code
	appd JENN TSAO 03/27/02	1.2:1	TWN
sheet index	revision sheet		sheet 4 of 4

**PDM: Rev:F**      STATUS **Released**      Printed: Oct 12, 2010



FOR 10003526-0XX(M)CA/1XX(M)CA P.C.B LAYOUT  
BOARD VIEW FROM CONNECTOR MOUNTED SIDE



FOR 10003526-5XX(M)CA/6XX(M)CA P.C.B LAYOUT  
BOARD VIEW FROM CONNECTOR MOUNTED SIDE

NOTES:

- 8mm MIN. CARD EJECT.
- EJECT TRAVEL: 9.5mm
- PUSH ROD LOCATION AND P.C.B. SIDE ARE AS APPEARS INSTALLED.
- MATERIAL
  - HEADER ASS'Y:  
PLASTIC : HOUSING ...LCP UL94V-0 BLACK  
PIN : COPPY ALLOY (REV.F)  
PCB : FR4
  - EJECT MECHANISM ASS'Y:  
GUIDE: PLASTIC ,UL94V-0 BLACK (REV.F)  
BUTTON: PLASTIC, UL94V-0 BLACK (REV.F)  
PLATE AND PUSH ROD : STAINLESS STEEL  
EMI CONTACT: PHOSPHOR BRONZE
- FINISH (PIN)
  - UNDER PLATING : 0.5µm MIN. Ni
  - CONTACT AREA : 0.1µm MIN. GOLD OVER
  - 0.5µm MIN. Pd-Ni
  - CONTACT AREA (FOR\*\*\*\*LF) : 0.25µm MIN. GOLD (REV.F)
  - SOLDER TAIL(TIN LEAD OPTION): 2.5µm MIN. Sn-Pb
  - SOLDER TAIL(LEAD FREE OPTION): 2.5µm MIN. PURE TIN
- IF LEAD FREE P/N.THE HOUSING WILL WITHSTAND EXPOSURE TO 260°C PEAK TEMPERATURE FOR 10 SECONDS IN A WAVE SOLDER APPLICATION WITH A 1.00MM MINIMUM THICK CIRCUIT BOARD.
- LEAD FREE PRODUCT MEETS EUROPEAN UNION DIRECTIVES AND OTHER COUNTRY REGULATIONS AS DISCRIBLED IN GS-22-008
- LEAD FREE PRODUCT PACKAGING MEETS GS-14-920 SPECIFICATION
- DIM "X"

4.25±0.1	3.5±0.1	5.0±0.1
OTHERS	36,67	1,17,34,35,51,68

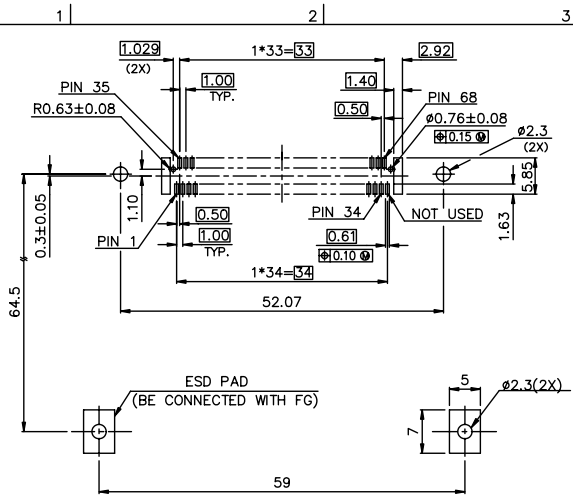
mat'l code		tolerance unless otherwise specified		CUSTOMER COPY		FCJ		www.fciconnect.com	
rev.	ecn no.	dr	date	linear	±0.1	projection	title		
F				angles			P.C.B LAYOUT		
				dr	WENDY CHEN 03/27/02	unit	product family : PCMCIA		code
				enrg	MNERVA WANG 03/27/02	mm/inch	size		TWN
				chr	YUWEN CHU 03/27/02	scale	A3		10003526
				appd	JENN TSAO 03/27/02				sheet 5 of
sheet	revision								
index	sheet								

PDM: Rev:F STATUS: Released Printed: Oct 12, 2010

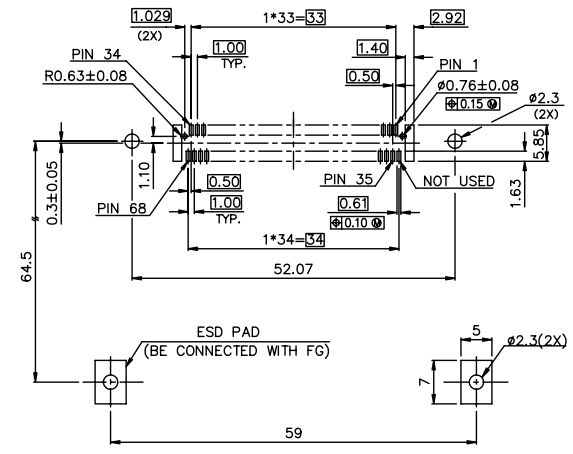
Tous droits réservés. Toute réimpression, reproduction ou communication à des tiers sans autorisation écrite de la propriétaire.



All rights are reserved. Reproduction or transmission in any form without written authority from the proprietor.



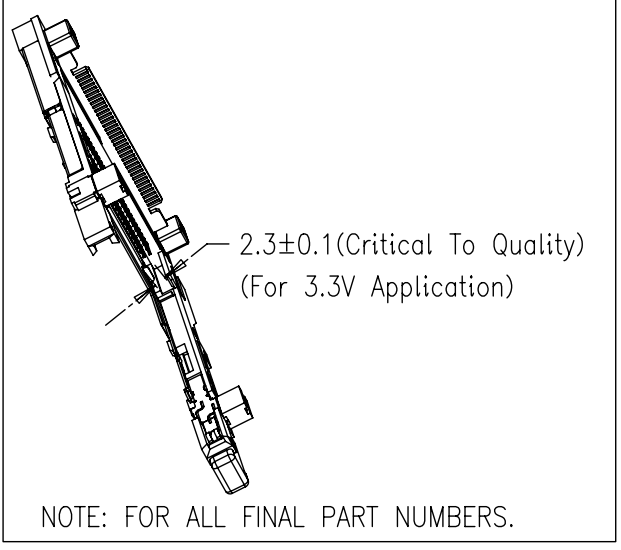
FOR 10003526-0XX(M)CALF/1XX(M)CALF P.C.B LAYOUT  
BOARD VIEW FROM CONNECTOR MOUNTED SIDE



FOR 10003526-5XX(M)CALF/6XX(M)CALF P.C.B LAYOUT  
BOARD VIEW FROM CONNECTOR MOUNTED SIDE

ORDERING INFORMATION		
NAME	PART NO.	Q'TY
(A) EJECT HEADER ASS'Y	10003526-XXXXX	1
(B) MATING RECEPTACLE	91931-31169	1

NAME	PART NO.	Q'TY
(A) EJECT HEADER ASS'Y	10003526-XXXXXLF	1
(B) MATING RECEPTACLE	91931-31169LF	1



NOTE: FOR ALL FINAL PART NUMBERS.

mat'l code	tolerance unless otherwise specified	CUSTOMER COPY	<b>FCJ</b>	www.fcjconnect.com
rev. ecn no. dr date	linear ±0.1	projection	title P.C.B LAYOUT	
	angles	unit	product family : PCMCIA	code
dr WENDY CHEN 03/27/02		mm/inch	size	TWN
enrg MINERVA WANG 03/27/02		scale	10003526	sheet 6 of 6
chr YUMEN CHU 03/27/02				
appd JENN TSAO 03/27/02				
sheet index	revision sheet			

**PDM: Rev:F** STATUS **Released** Printed: Oct 12, 2010

All rights are reserved. Reproduction or use by third parties in any form without the written authority of FCJ ELECTRONICS is prohibited. Property of FCJ ELECTRONICS. Copyright © FCJ ELECTRONICS by