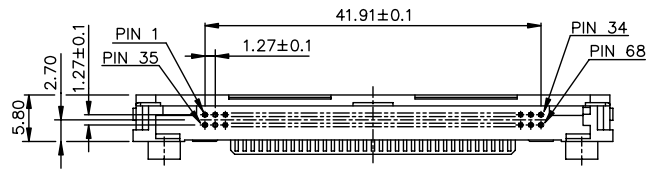
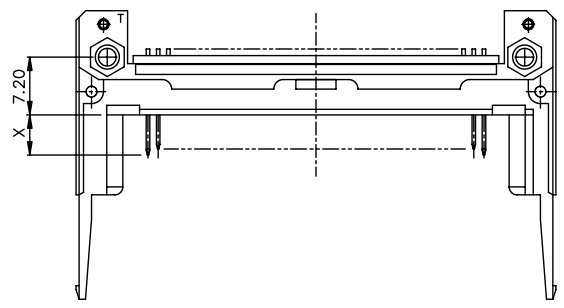
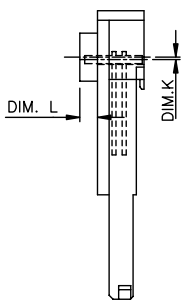


Tous droits strictement réservés. Reproduction ou communication o des tiers int
 procédé de BERG ELECTRONICS sans autorisation écrite du propriétaire.
 Droits de reproduction BERG ELECTRONICS by

All rights strictly reserved. Reproduction or issue to third parties in any for
 measure is not permitted without written authority from the proprietor.
 Copyright BERG ELECTRONICS by



61127- □ □ □ □ □

- LF: LEAD FREE
- B: FOR BOSCH-TELECOM
- N: FOR CANON
- V: FOR VALLEY GREEN
- C: FOR CISCO
- STAND-OFF 00 : 0.0 mm
- 20 : 2.0 mm
- 22 : 2.2 mm
- 30 : 3.0 mm
- 40 : 4.0 mm
- 43 : 4.3 mm
- 50 : 5.0 mm
- UPPER DECK : 5
- LOWER DECK : 0
- TOP MOUNT : 0
- BOTTOM MOUNT : 5

61127-0522C/0522CLF	0	6.55
61127-0543C/0543CLF	0	6.55
61127-0550C/0550CLF	0	6.55
61127-0043C/0043CLF	4.3	-0.3
61127-0050C/0050CLF	5	-0.3
61127-0022C/0022CLF	2.2	-0.3
61127-0022B/0022BLF	2.2	-0.3
61127-0022/0022LF	2.2	-0.3
61127-0522/0522LF	0	6.55
61127-0543/0543LF	0	6.55
61127-0550/0550LF	0	6.55
61127-0500/0500LF	0	10.0
61127-0100/0100LF	0	2.15
61127-0050N/0050NLF	5	-0.3
61127-0043/0043LF	4.3	-0.3
61127-0050/0050LF	5	-0.3
61127-0022V/0022VLF	2.2	2.15
PRODUCT NO.	DIM.L	DIM.K±0.20

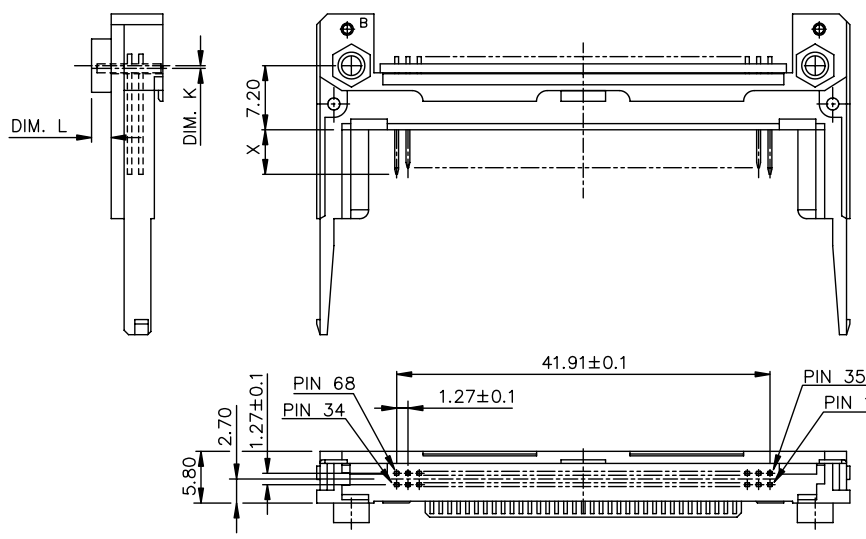
DIM"x"			
PIN NUMBER	4.25±0.1	3.5±0.1	5.0±0.1
	OTHERS	36,67	1,17,34

mat'l code		tolerance unless otherwise specified		CUSTOMER COPY		www.fciconnect.com	
rev.	ecn no.	dr	date	linear	±0.30	projection	title
J	N04-0030	P	H	07/21/04			3.3V EJECTOR HEADER ASS'Y (ABOVE BOARD)
K	N05-0140	W	B	05/31/05			
D	T00131	W	L	05/02/00	angles	± 2°	
E	T10263	W	L	10/16/01	dr	WENDY CHEN	07/11/95
F	T10321	W	L	11/16/01	enrg	L.W. LU	07/11/95
G	T20036	W	L	01/30/02	chr	JOSEPH HSIA	07/11/95
H	T03-0216	W	L	06/09/03	appd	JENN TSAO	07/11/95
sheet	revision	K	J	K	J	J	
index	sheet	1	2	3	4	5	
product family		PQMA		code		61127	
size		A3		dwg no.		1 of 5	

PDM: Rev:K STATUS: Released Printed: Oct 12, 2010

Tous droits strictement réservés. Reproduction ou communication, o des tiers int
 propreté de BERG ELECTRONICS.
 Droits de reproduction BERG ELECTRONICS by

All rights strictly reserved. Reproduction or issue to third parties in any for
 measure is not permitted without written authority from the proprietor.
 Copyright BERG ELECTRONICS by



DIM "X"			
PIN NUMBER	4.25±0.1	3.5±0.1	5.0±0.1
OTHERS	36,67	1,17,34	35,51,68

61127-5022/5022LF	2.2	-0.3
61127-5522/5522LF	0	6.55
61127-5543/5543LF	0	6.55
61127-5550/5550LF	0	6.55
61127-5500/5500LF	0	10.0
61127-5043/5043LF	4.3	-0.3
61127-5050/5050LF	5	-0.3
PRODUCT NO.	DIM.L	DIM.K±0.20

mat'l code		tolerance unless otherwise specified		CUSTOMER COPY		FCI		www.fciconnect.com	
rev.	ecn no.	dr.	date	linear	±0.30	projection	title 68PDS. EJECTOR HEADER HEADER ASS'Y		
J				angles	± 2°				
				dr.	WENDY CHEN 10/16/01	unit	product family	PM2GA	code
				enrg.	MINERVA WANG 10/16/01	mm/inch	size	dwg no.	sheet
				chr.	MINERVA WANG 10/16/01	scale	A3	61127	2 of
				appd.	JENN TSAO 10/16/01	2:1			
sheet index	revision sheet								

PDM: Rev:K STATUS: Released Printed: Oct 12, 2010

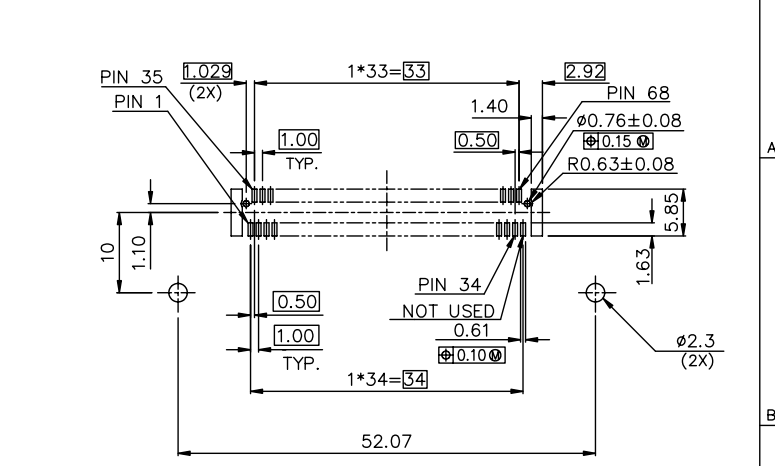
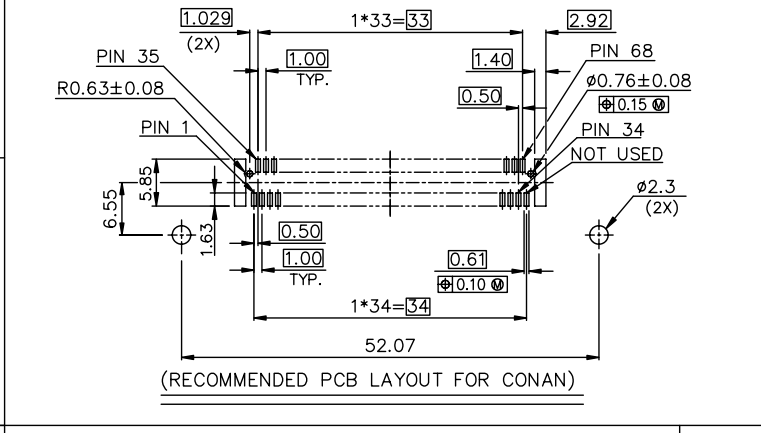
Tous droits strictement réservés. Reproduction ou communication, o des tiers int
 procédé de BERG ELECTRONICS sans autorisation écrite du propriétaire.
 Droits de reproduction BERG ELECTRONICS by

All rights strictly reserved. Reproduction or issue to third parties in any for
 procedure without written authority from the proprietor.
 Copyright BERG ELECTRONICS by

FOR P/N: 61127-0522/0543/0550/0522LF/0543LF/0550LF

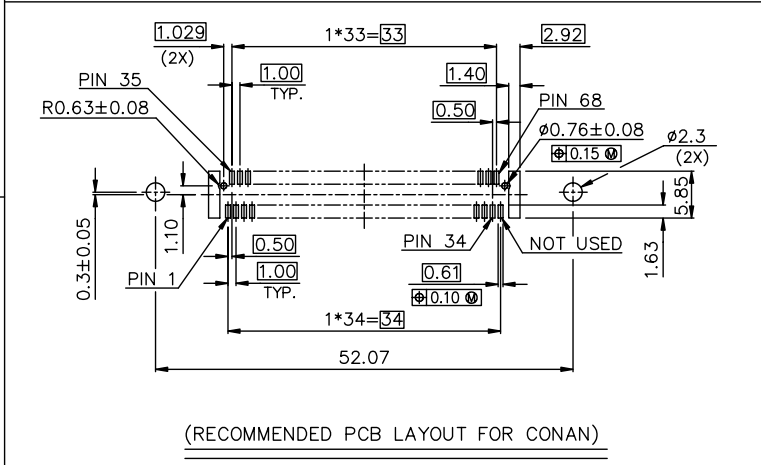
FOR P/N: 61127-0500/0500LF

FOR P/N: 61127-0522C/0543C/0550C/0522CLF/0543CLF/0550CLF



FOR P/N: 61127-0022/0043/0050/0022B/0050N/0022C/0043C/0050C

FOR P/N: 61127-0022LF/0043LF/0050LF/0022BLF/0050NLF/0022CLF/0043C/0050CLF



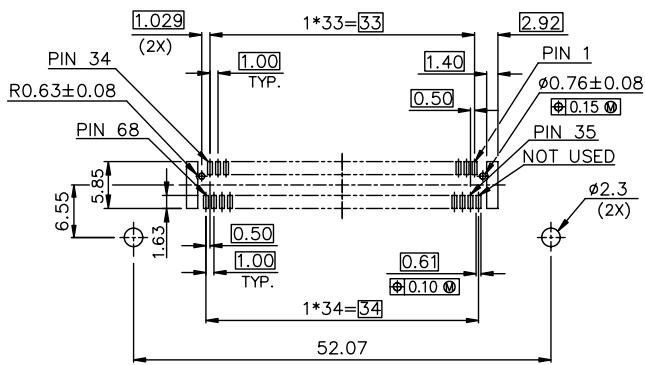
(RECOMMENDED PCB LAYOUT FOR CONAN)

mat'l code				tolerance unless otherwise specified		CUSTOMER COPY		FCI		www.fciconnect.com	
rev. K	ecm no.	dr	date	linear	±0.10	projection	title 68POS. EJECTOR HEADER HEADER ASS'Y				
				angles	± 2°		product family		code		
				dr	WENDY CHEN 05/02/00	unit	size		dwg no.		sheet 3 of
				enrg	JOSEPH HSIA 05/02/00	mm/inch	A3		61127		
				chr	JOSEPH HSIA 05/02/00	scale	2:1				
				appd	JOSEPH HSIA 05/02/00						
sheet index	revision sheet										

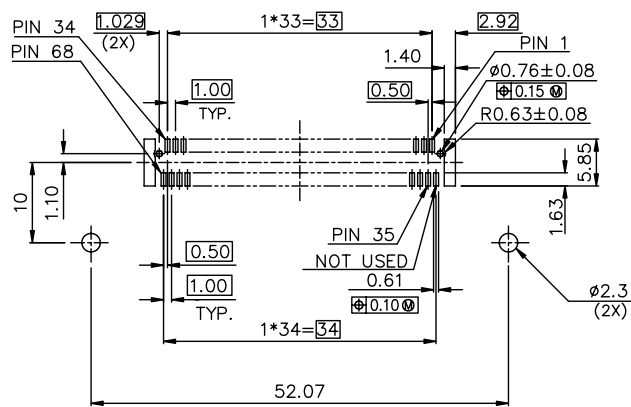
PDM: Rev:K STATUS: Released Printed: Oct 12, 2010

FOR P/N: 61127-5522/5543/5550/5522LF/5543LF/5550LF

FOR P/N: 61127-5500/5500LF

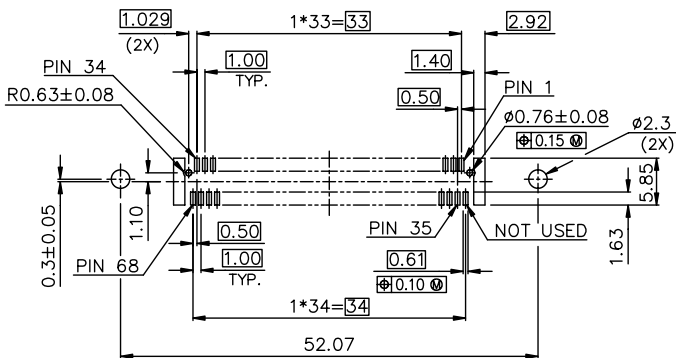


(RECOMMENDED PCB LAYOUT FOR CONAN)


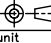


(RECOMMENDED PCB LAYOUT FOR CONAN)

FOR P/N: 61127-5022/5043/5050/5022LF/5043LF/5050LF



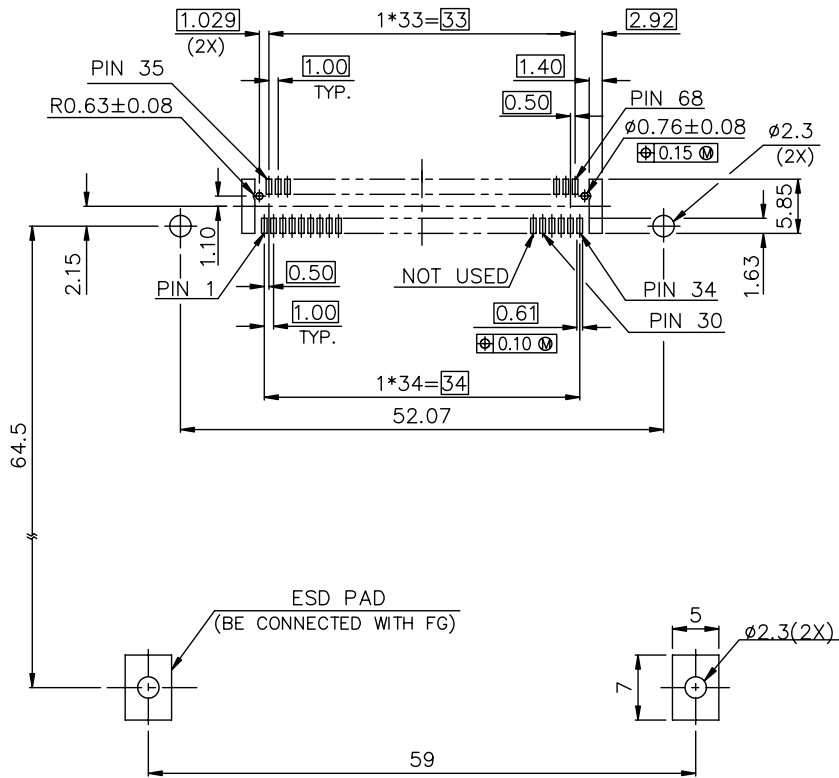
(RECOMMENDED PCB LAYOUT FOR CONAN)

mat'l code		tolerance unless otherwise specified		CUSTOMER COPY		 www.fciconnect.com	
rev.	ecn no.	dr	date	linear	±0.10	projection	title 68POS. EJECTOR HEADER HEADER ASS'Y
J				angles	± 2°		
				dr	WENDY CHEN 05/02/00	unit	
				enrg	JOSEPH HSIA 05/02/00	mm/inch	
				chr	JOSEPH HSIA 05/02/00	scale	product family FW82A
				appd	JOSEPH HSIA 05/02/00	2:1	code 61127
sheet index	revision sheet						size A3
							dwg no. 61127
							sheet 4 of

PDM: Rev:K STATUS Released Printed: Oct 12, 2010

All rights strictly reserved. Reproduction or issue to third parties in any form or by any means, electronic, mechanical, photocopying, recording, or by any information storage and retrieval system, without written authority from the proprietor.
 Copyright BERG ELECTRONICS by

FOR P/N: 61127-0022V/0022VLF



mat'l code		tolerance unless otherwise specified		CUSTOMER COPY		FCI		www.fciconnect.com	
rev.	ecn no.	dr	date	linear	±0.1	projection	title 68POS. EJECTOR HEADER HEADER ASS'Y		
J				angles		⊕			
				dr	WENDY CHEN 01/30/02	unit	product family		code
				engr	MINERVA WANG 01/30/02	mm/inch	size		sheet
				chr	MINERVA WANG 01/30/02	scale	A3		5 of
				appd	JENN TSAO 01/30/02		61127		
sheet	revision								
index	sheet								

PDM: Rev:K STATUS: Released Printed: Oct 12, 2010

All rights strictly reserved. Reproduction or issue to third parties in any form or by any means, without written authority from the proprietor. Copyright © BERG ELECTRONICS BV.