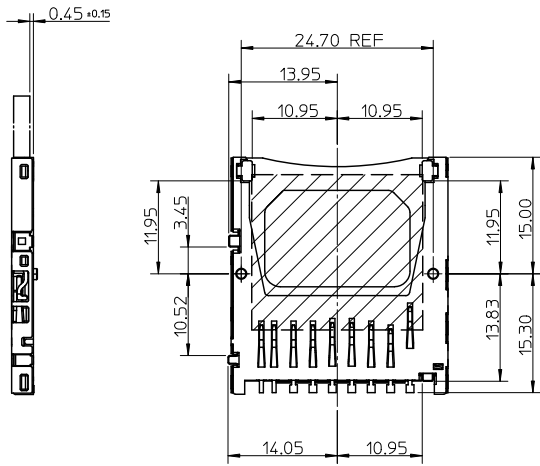
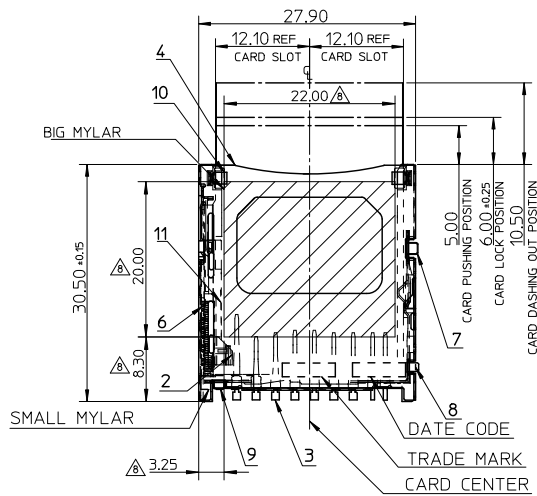
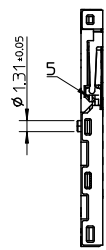
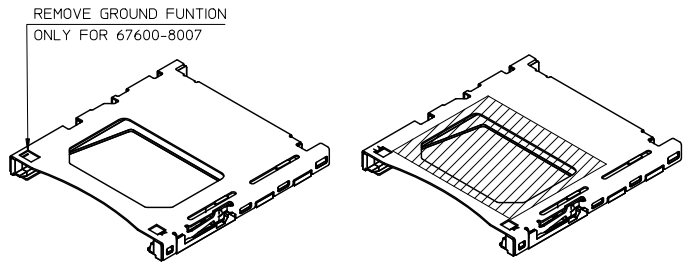
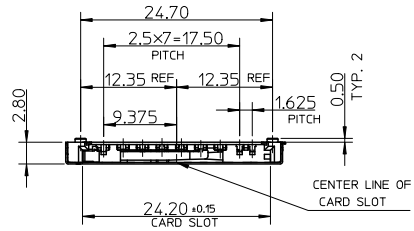


10 9 8 7 6 5 4 3 2 1



MATERIAL NO.	DESCRIPTION
67600-8001	STANDARD
67600-8003	WITH SMALL MYLAR
67600-8005	W/O CARD LOCK PIN
67600-8006	WITH BIG MYLAR
67600-8007	REMOVE ONE SIDE'S GROUND FUNCTION

REVISED
 IEC NO: SH2011-0042
 TIRUNKOMEI 2010/08/05
 CHYKHARVEY 2004/12/20
 APPRGRZHANG 2010/09/18

QUALITY SYMBOLS	GENERAL TOLERANCES (UNLESS SPECIFIED)
▽=0	mm INCH
▽=0	4 PLACES ± --- ± ---
	3 PLACES ± --- ± ---
	2 PLACES ± 0.25 ± ---
	1 PLACE ± 0.25 ± ---
	ANGULAR ± 3°

DIMENSION STYLE		SCALE	DESIGN UNITS	THIRD ANGLE PROJECTION
MM ONLY		1:1	METRIC	☉
DRAWN BY	DATE	TITLE		
DAVID HU	2004/12/20	SD MEMORY CARD CONN. ASSY (TOP MOUNT TYPE) LEAD-FREE		
CHECKED BY	DATE	MOLEX INCORPORATED		
HARVEY	2004/12/20	MATERIAL NO. SEE TABLE		
APPROVED BY	DATE	DOCUMENT NO. SD-67600-006		
VINCENT	2004/12/20	SHEET NO. 1 OF 2		

DRAWN BY		DATE	TITLE	
DAVID HU		2004/12/20	SD MEMORY CARD CONN. ASSY (TOP MOUNT TYPE) LEAD-FREE	
CHECKED BY		DATE	MOLEX INCORPORATED	
HARVEY		2004/12/20	MATERIAL NO. SEE TABLE	
APPROVED BY		DATE	DOCUMENT NO. SD-67600-006	
VINCENT		2004/12/20	SHEET NO. 1 OF 2	

tb_frame_A3_P_AM_T
 Rev. D 2004/06/28

9 8 7 6 5 4 3 2 1

10 9 8 7 6 5 4 3 2 1

NOTES:

1.MATERIAL:

PLASTIC PART: HIGH TEMPERATURE THERMOPLASTIC.

METAL PART: COPPER ALLOY OR STAINLESS STEEL.

2.TERMINAL AND NAIL COPLANARITY TO BE 0.1 MAX.

3.WHEN DELIVERING, THE PUSH/PUSH MECHANISM IS IN THE STATE OF THE UNLOCK.(CARD DASHING OUT POSITION).

4.CARD READ ONLY BY THE TIME THE CARD DETECTION SWITCH WORKS.

5.OPENING AND CLOSE OF EACH SWITCH.

CARD INSERTION STATUS	WRITE PROTECT SWITCH		CARD DETECT SWITCH
	WRITE PROTECT POSITION	WRITE ENABLE POSITION	
CARD UNINSERTION	OPEN	OPEN	OPEN
CARD HALF INSERTION	CLOSE	CLOSE	OPEN
CARD INSERTION	OPEN	CLOSE	CLOSE

6.TERMINAL PLATING:

CONTACT AREA: GOLD, THICKNESS=0.2 MICRON MIN.

SOLDER TAIL AREA(A): TIN, THICKNESS=1.27 MICRON MIN.

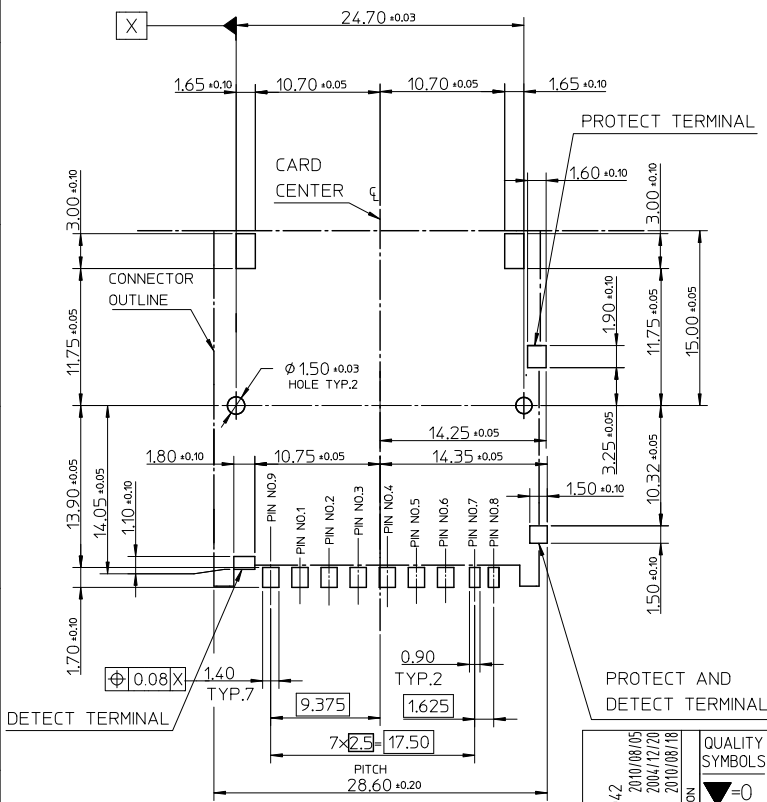
(B): GOLD FLASH, THICKNESS=0.05 MICRON MIN.

UNDER PLATE: NICKEL, THICKNESS=1 MICRON MIN.

7. PRODUCT SPECIFICATION : PER PS-67600-001.

8. TAPE AND REEL REFERS TO SD-67600-003 SHEET3.

9. RELATIVE DIMENSIONS FOR MALAR.



RECOMMENDED PCB PATTERN LAYOUT

REVISED EC NO: SH2011-0042 DRAWN BY: DRW:KMEI CHKD BY: HARVEY APPR: RZHANG 2010/08/05 2004/12/20 2010/08/18	QUALITY SYMBOLS ▽=0 ▽=0	GENERAL TOLERANCES (UNLESS SPECIFIED)		DIMENSION STYLE MM ONLY		SCALE 1:1	DESIGN UNITS METRIC	THIRD ANGLE PROJECTION
		mm	INCH	DRAWN BY DAVID HU	DATE 2004/12/20	TITLE SD MEMORY CARD CONN. ASS'Y (TOP MOUNT TYPE) LEAD-FREE		
REV DESCRIPTION	DRAFT WHERE APPLICABLE MUST REMAIN WITHIN DIMENSIONS	4 PLACES ± --- ± ---		CHECKED BY HARVEY	DATE 2004/12/20	MATERIAL NO. SEE TABLE		
		3 PLACES ± --- ± ---		APPROVED BY VINCENT	DATE 2004/12/20	DOCUMENT NO. SD-67600-006		
		2 PLACES ± 0.25 ± ---		MATERIAL NO. SEE TABLE		DOCUMENT NO. SD-67600-006		SHEET NO. 2 OF 2
		1 PLACE ± 0.25 ± ---		THIS DRAWING CONTAINS INFORMATION THAT IS PROPRIETARY TO MOLEX INCORPORATED AND SHOULD NOT BE USED WITHOUT WRITTEN PERMISSION				
		ANGULAR ± 3°						

tb_frame_A3_P_AM.T
Rev. D 2004/06/28

9 8 7 6 5 4 3 2 1