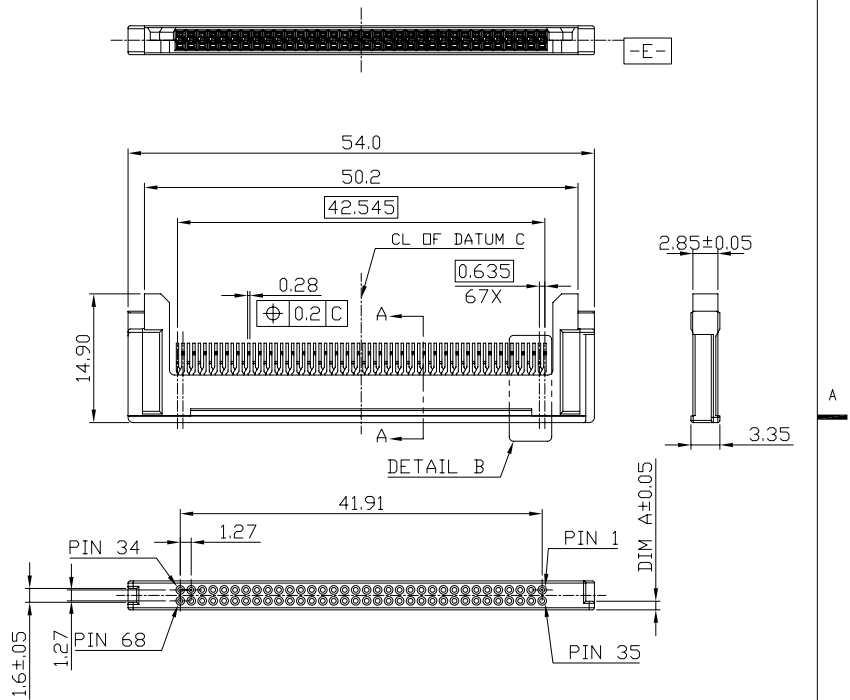


Tous droits strictement réservés. Reproduction ou communication à des tiers interdite sous quelque forme que ce soit sans autorisation écrite du propriétaire. Propriété de c FCI. Droits de reproduction FCI.



All rights strictly reserved. Reproduction or issue to third parties in any form whatever is not permitted without written authority from the proprietor. Property of FCI. Copyright FCI.

| PRODUCT NO. | DIM A | VOLTAGE KEY | BOARD OFFSET DIM C | PACKING |
|--------------------------------------|-------|-------------|--------------------|-----------------------------------|
| 10014744 | | | | |
| -002 (-N02) | 1.0 | 5.0V | 0.3 | SEE NOTE 5 FOR DETAIL DESCRIPTION |
| -003 (-N03) | 1.0 | 5.0V | 0 | |
| -004 (-N04) | 1.0 | 5.0V | -0.3 | |
| -006 (-N06) | 2.1 | 3.3V | 0.3 | |
| -007 (-N07) | 2.1 | 3.3V | 0 | |
| -008 (-N08) | 2.1 | 3.3V | -0.3 | |
| -011 (N11) | 1.0 | 5.0V | 0.6 | |
| -012 (-N12) | 2.1 | 3.3V | 0.6 | |
| -013 (-N13) | 1.0 | 5.0V | -0.6 | |
| -014 (-N14) | 2.1 | 3.3V | -0.6 | |
| -015 (-N15) | 1.0 | 5.0V | -0.8 | |
| -021 (-N21) | 1.0 | 5.0V | 0 | |
| SEE NOTE 6 FOR -NXX DETAIL | | | | |
| SEE NOTE 7 FOR LEAD FREE DETAIL | | | | |
| (NOTE: -021 & -N21 IS REVERSED TYPE) | | | | |



| mat'l. code | | tolerances unless otherwise specified | | | | CUSTOMER COPY | | FCI | |
|-------------|----------------|---------------------------------------|----------|--------|--------------------|---------------|-------------------------------|--------------------|------|
| ltr | ecn no | dr | date | linear | .X ±.3 | projection | title | www.fciconnect.com | |
| H | bc08-0116 | NZ | 05/27/08 | | .XX ±.13 | | 68PIN PCMCIA RECEPTACLE ASS'Y | | |
| | | | | | .XXX ±.050 | | | product family | code |
| | | | | | 0° ±2° | | | PCMCIA | - |
| C | T03-0099 | TAI | 03/21/03 | angles | | MM | size | sheet | |
| D | T03-0186 | TAI | 05/21/03 | dr | KENNY TAI 12/17/02 | 1:1 | dwg no | 1 of 4 | |
| E | T03-0332 | TAI | 07/22/04 | enrg | KENNY TAI 12/17/02 | | 10014744 | | |
| F | T03-0358 | TAI | 08/23/04 | chr | KENNY TAI 12/17/02 | | | | |
| G | bc06-0154 | CS | 04/06/06 | appd | PAUL WANG 12/17/02 | | | | |
| sheet index | revision sheet | H | H | H | H | | | | |
| | | 1 | 2 | 3 | 4 | | | | |

ACAD

PDM: Rev:H

STATUS: Released

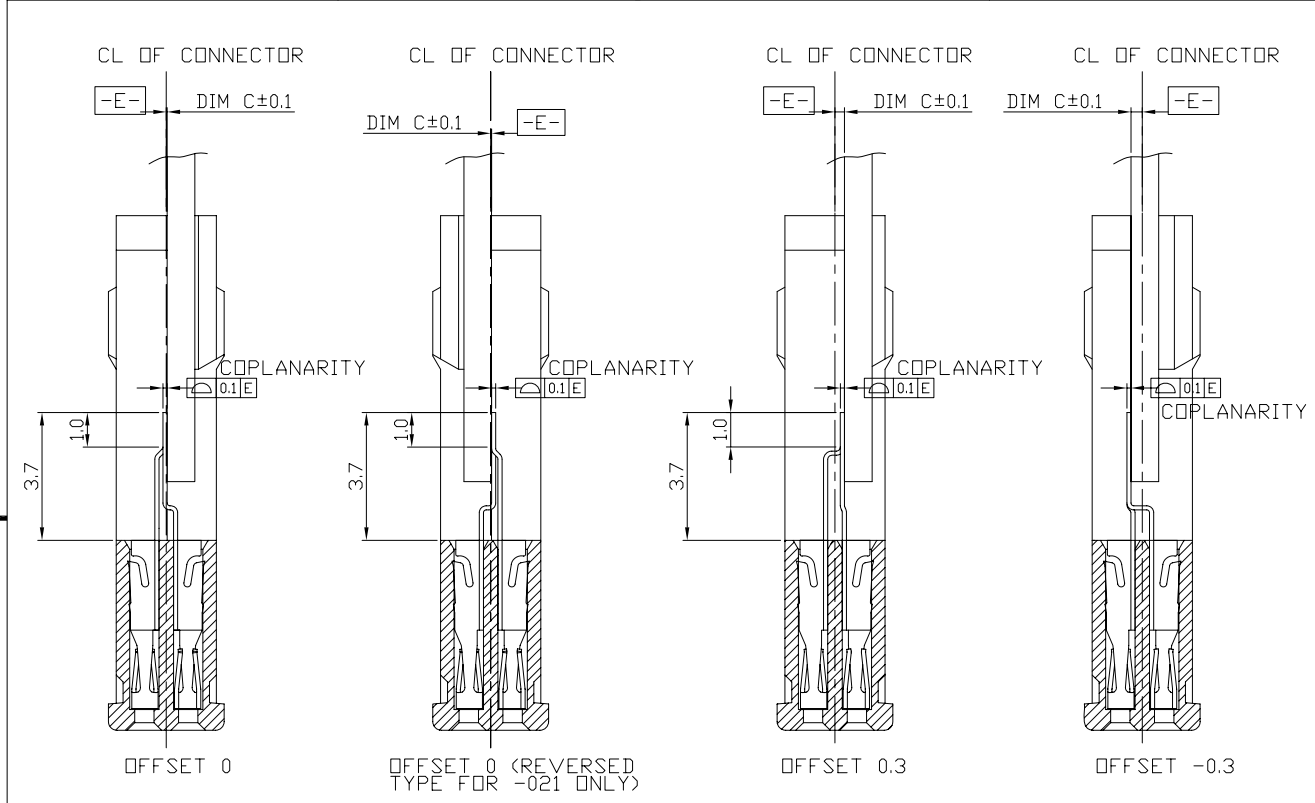
Printed: Jun 07, 2008

cage code 22526

Tous droits strictement réservés. Reproduction ou communication à des tiers interdite sous quelque forme que ce soit sans autorisation écrite du propriétaire. Propriété de c FCI. Droits de reproduction FCI.



All rights strictly reserved. Reproduction or issue to third parties in any form whatever is not permitted without written authority from the proprietor. Property of FCI. Copyright FCI.



| | | | | | | | | | |
|-------------|----------------|----|------|---------------------------------------|------------|---------------|-------------------------------|--------------------|------|
| mat'l. code | | | | tolerances unless otherwise specified | | CUSTOMER COPY | | www.fciconnect.com | |
| ltr | ecn no | dr | date | linear | .X ±.3 | projection | title | product family | code |
| H | | | | | .XX ±.13 | | 68PIN PCMCIA RECEPTACLE ASS'Y | PCMCIA | - |
| | | | | angles | .XXX ±.050 | | | MM | size |
| | | | | dr | 0° ±2° | scale | A3 | 10014744 | 2 of |
| | | | | enr | | 1:1 | | | |
| | | | | chr | | | | | |
| | | | | appd | | | | | |
| sheet index | revision sheet | | | | | | | | |

ACAT

PDM: Rev:H

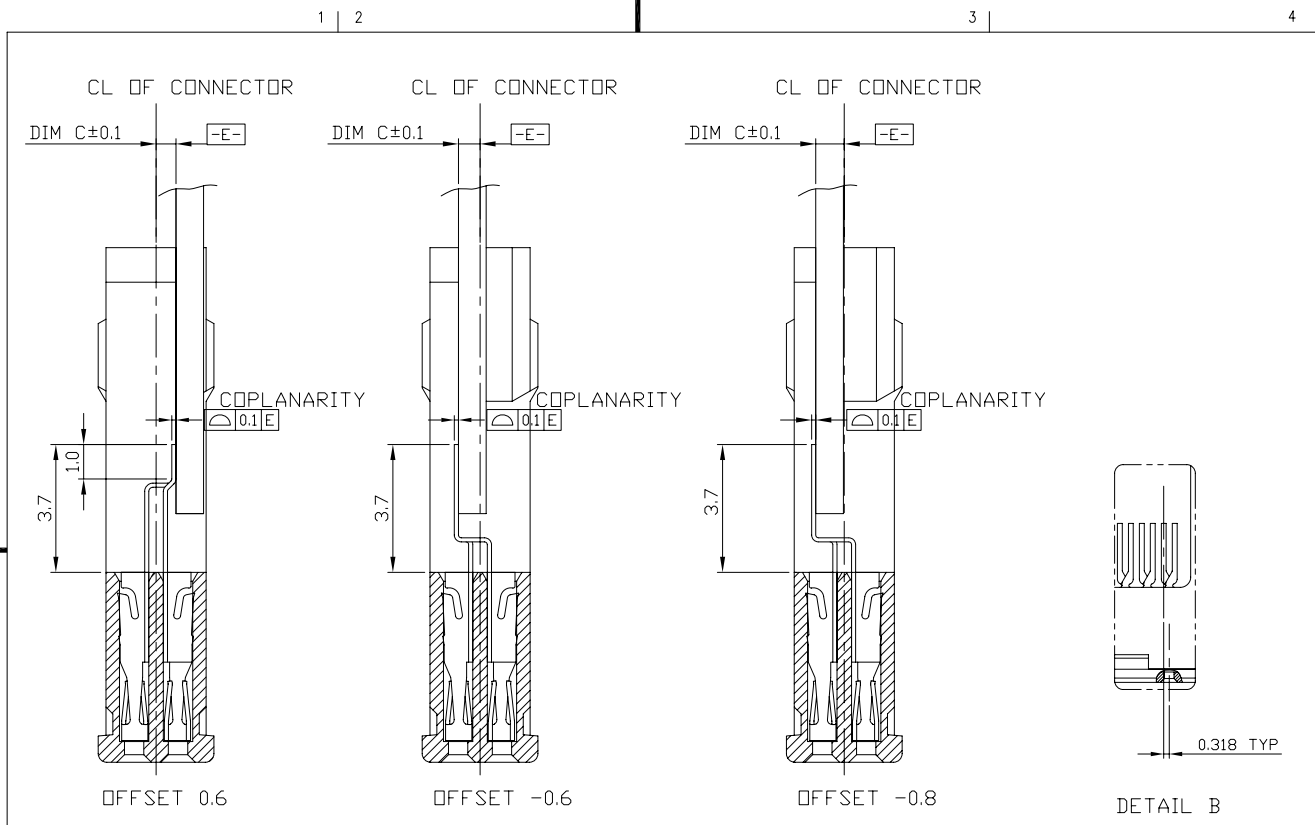
STATUS: Released

Printed: Jun 07, 2008

Tous droits strictement réservés. Reproduction ou communication à des tiers interdite sous quelque forme que ce soit sans autorisation écrite du propriétaire. Propriété de c FCI. Droits de reproduction FCI.



All rights strictly reserved. Reproduction or issue to third parties in any form whatever is not permitted without written authority from the proprietor. Property of FCI. Copyright FCI.

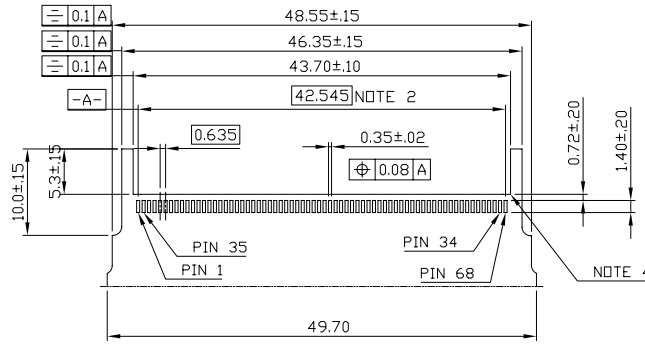


| | | | | | | | | | | |
|-------------|----------------|----|------|---------------------------------------|------------|---------------|-----|-------------------------------|----------------|------|
| mat'l. code | | | | tolerances unless otherwise specified | | CUSTOMER COPY | | www.fciconnect.com | | |
| ltr | ecn no | dr | date | linear | .X ±.3 | projection | | title | | |
| H | | | | | .XX ±.13 | | | 68PIN PCMCIA RECEPTACLE ASS'Y | | |
| | | | | angles | .XXX ±.050 | | | | product family | code |
| | | | | dr | 0° ±2° | PCMCIA | — | | | |
| | | | | enr | | size | | | | |
| | | | | chr | | dwg no | | | | |
| | | | | appd | | scale | 1:1 | sheet | | |
| | | | | | | | | 3 of | | |
| sheet index | revision sheet | | | | | | | | | |

Tous droits strictement réservés. Reproduction ou communication à des tiers interdite sous quelque forme que ce soit sans autorisation écrite du propriétaire. Propriété de c FCI. Droits de reproduction FCI.




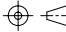
All rights strictly reserved. Reproduction or issue to third parties in any form whatever is not permitted without written authority from the proprietor. Property of FCI. Copyright FCI.



RECOMMENDED P.C.B. LAYOUT

NOTE:

- MATERIAL:
CONTACT: PHBR 0.12t
HOUSING: LCP UL94V-0 (BLACK COLOR: -XXX; NATURAL COLOR: -NXX)
FINISH:
CONTACT: ALL OVER--- Ni UNDER 0.5 MICRON THK.
CONTACT AREA--- Au or GXT 0.38 MICRON THK. 
SOLDER TAIL---TIN LEAD 2.5 MICRON THK.
- MAXIMUM PCB BOW ON THIS DIMENSION IS 0.1mm.
- PACKING SPEC. REFER TO GS-14-723.
- ELIMINATE THE CORNER TO PREVENT INTERFERENCE WITH SOLDER TAIL.
- XXX (-NXX) USE STD. PACKAGE, 1872 PCS / CARTON;
-XXXT (-NXXT) USE TAPE AND REEL, 750 PCS / REEL;
-XXXX (-NXXX) USE STD. PACKAGE, 200 PCS / CARTON;
-XXXXA (-NXXXA) USE TAPE AND REEL, 600 PCS / REEL.
-NXX USE NATURAL COLOR HOUSING. EX. -N02 IS THE SAME WITH -002 EXCEPT NATURAL COLOR.
- XXXXLF IS LEAD FREE PLATING. SOLDER TAIL IS PLATED TIN 2.5 MICRON.
- PRODUCT SPEC. REFER TO GS-12-228.

| mat'l. code | | | | tolerances unless otherwise specified | | CUSTOMER COPY | | FCI | |
|-------------|----------------|----|------|---------------------------------------|--------------------|---|-------------------------------|--------------------|--------|
| ltr | ecn no | dr | date | linear | .X ±.3 | projection | title | www.fciconnect.com | |
| H | | | | | .XX ±.13 |  | 68PIN PCMCIA RECEPTACLE ASS'Y | | |
| | | | | angles | .XXX ±.050 | | | product family | PCMCIA |
| | | | | dr | 0° ±2° | MM | size | | |
| | | | | enr | | scale | 1:1 | dwg no | sheet |
| | | | | chr | KENNY TAI 12/17/02 | | A3 | 10014744 | 4 of |
| | | | | appd | PAUL WANG 12/17/02 | | | | |
| sheet index | revision sheet | | | | | | | cage code | |
| | | | | | | | | 22526 | |

ACAT

PDM: Rev:H

STATUS: Released

Printed: Jun 07, 2008