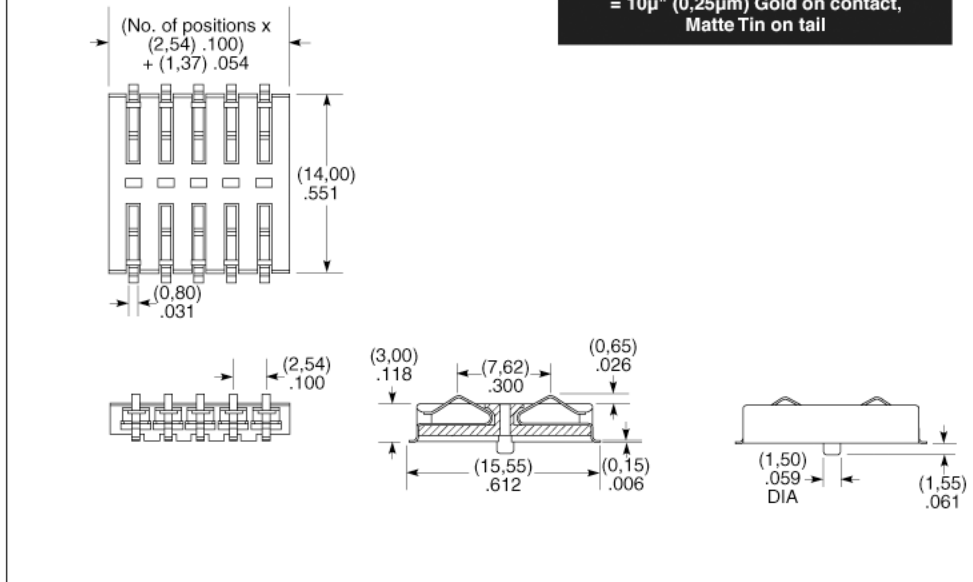
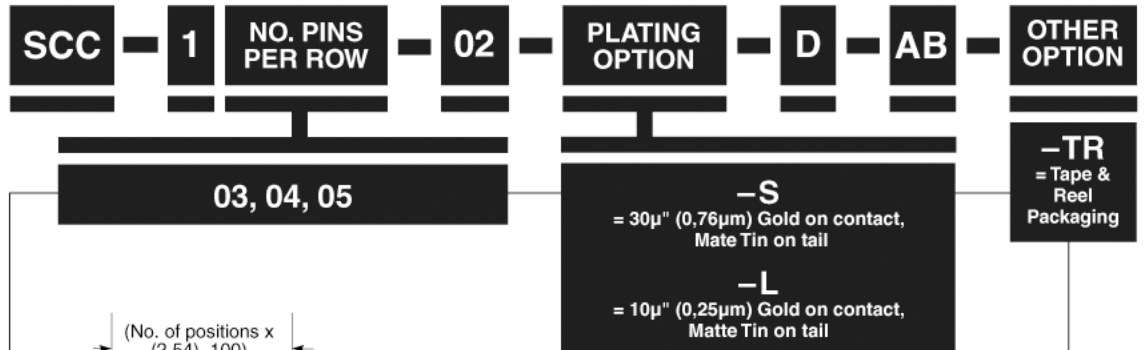
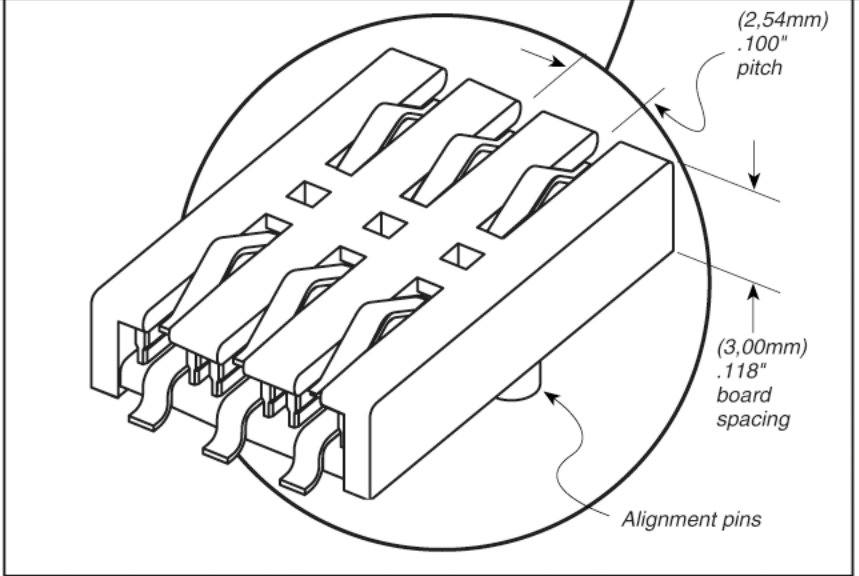


SMART CARD CONNECTOR **SCC** SERIES

SPECIFICATIONS

For complete specifications see www.samtec.com?SCC

- Insulator Material:** Black Liquid Crystal Polymer
- Contact Material:** Phosphor Bronze
- Current Rating:** Testing Now!
- Operating Temp Range:** -55°C to +125°C
- Max Processing Temp:** 230°C for 60 seconds
- Plating:** Au or Sn over 50µ" (1,27µm) Ni
- SMT Lead Coplanarity:** (0,10mm) .004" max
- RoHS Compliant:** Yes



Note: Some sizes, styles and options are non-standard, non-returnable.

Due to technical progress, all designs, specifications and components are subject to change without notice.

WWW.SAMTEC.COM

SAMTEC USA • Tel: 1-800-SAMTEC-9 or 812-944-6733 • Fax: 812-948-5047
SAMTEC GERMANY • Tel: +49 (0) 89 / 89460-0 • Fax: +49 (0) 89 / 89460-299
SAMTEC SCANDINAVIA • Tel: +46-84477280 • Fax: +46-87420413
SAMTEC ASIA PACIFIC • Tel: 65 6745-5955 • Fax: 65 6841-1502
SAMTEC SINGAPORE • Tel: 65 6745-5955 • Fax: 65 6841-1502
SAMTEC JAPAN • Tel: 045-475-1385 • Fax: 045-475-1340
SAMTEC KOREA • Tel: 82-31-717-5685 • Fax: 82-31-717-5681
SAMTEC SILICON VALLEY • Tel: 408-395-5900 • Fax: 408-395-1520
SAMTEC FRANCE • Tel: 01 60 95 06 60 • Fax: 01 60 95 06 61
SAMTEC ISRAEL • Tel: 972-3-7526600 • Fax: 972-3-7526690
SAMTEC CHINA • Tel: 86-21-61103766 • Fax: 86-21-61103766
SAMTEC SOUTH AFRICA • Tel: 27 11 4528112 • Fax: 27 86 6714432
SAMTEC UK • Tel: 01236 739292 • Fax: 01236 727113
SAMTEC ITALY • Tel: 39 039 6890337 • Fax: 39 039 6890315
SAMTEC INDIA • Tel: 91 80 306 21 612 • Fax: 91 80 4152 8187
SAMTEC TAIWAN • Tel: 886 02 2698-3367 • Fax: 886 02 8698-2159
SAMTEC ANZ • Tel: 613 9512 7747 • Fax: 613 9512 7745