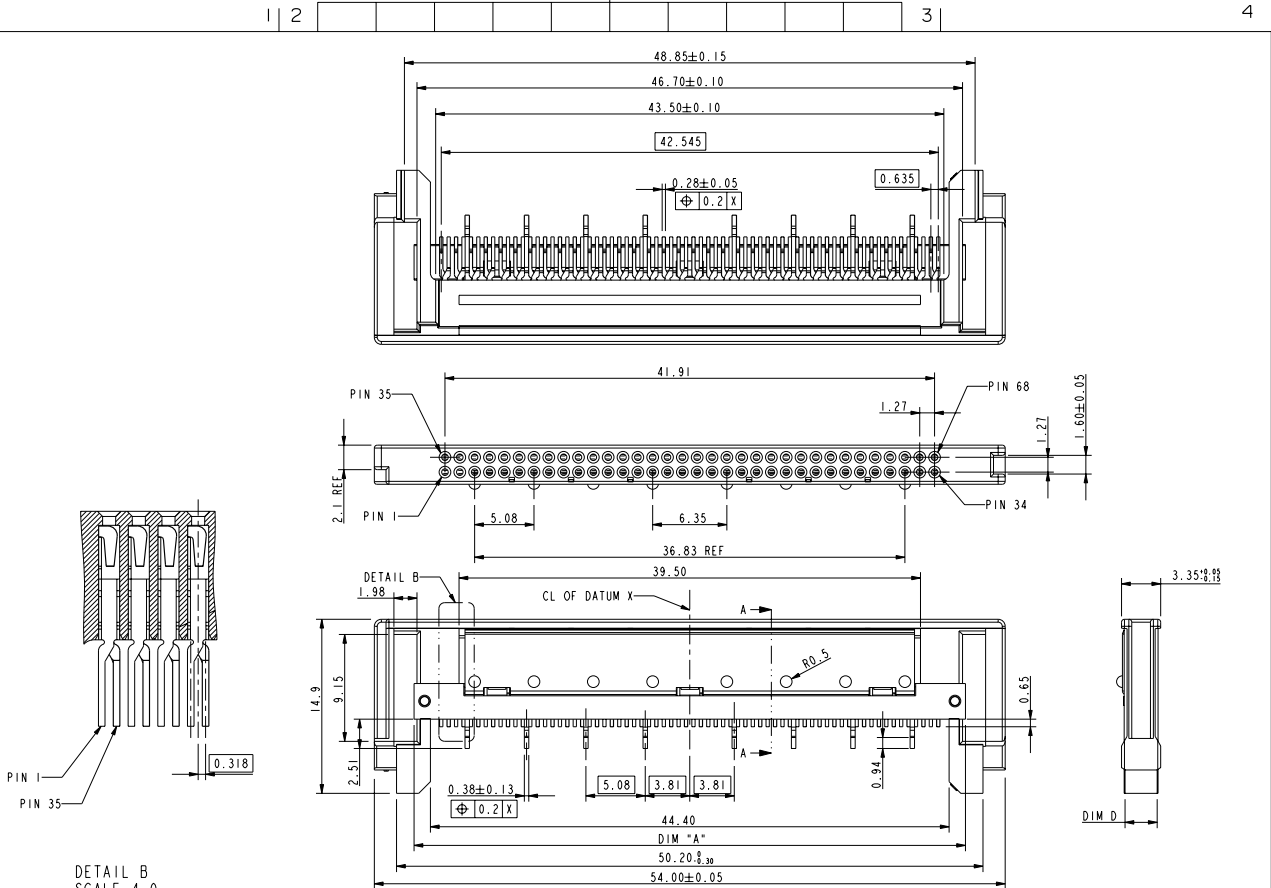


Tous droits strictement réservés. Reproduction ou communication à des tiers sans charge écrite de la propriétaire. Propriété de c FCI. Droits de reproduction FCI.



All rights strictly reserved. Reproduction or issue to third parties in any form or by any means without written authority from the proprietor. Property of FCI. Copyright FCI.



DETAIL B  
SCALE 4.0

mat'l code				tolerances unless otherwise specified		CUSTOMER		FCI	
lfr	ecn no.	dr	date	linear	.X±0.3	COPY	www.fciconnect.com		
H	DG06-0003	Kason	01/04/06		.XX±0.13	projection		title	
J	DG06-0120	C S	03/20/06		.XXX±0.05			68P CARDBUS RECEPTACLE ASS'Y	
K	DG06-0350	P M	08/21/06	angles	0°±2°			product family	PCMCIA
L	DG07-0045	C S	30/01/07	dr	KENNY TAI	10/03/02		size	PCMCIA
M	DG08-0116	NZ	05/27/08	enr	KENNY TAI	10/03/02	MM	dwg no	
G	T05-0079	TAI	04/12/05	chr	KENNY TAI	10/03/02	scale	10014747	sheet
		oprd		oprd	PAUL WANG	10/03/02	1.000		1 of 2
sheet index	revision sheet	M	M						
		I	2					code code	

THIS FILE WAS ORIGINALLY CREATED IN THE PRO ENGINEER ENVIRONMENT AND ANY FUTURE REVISIONS TO THIS FILE MUST BE MADE IN THE PRO ENGINEER ENVIRONMENT

form no. 7530-001-103

code code 22526

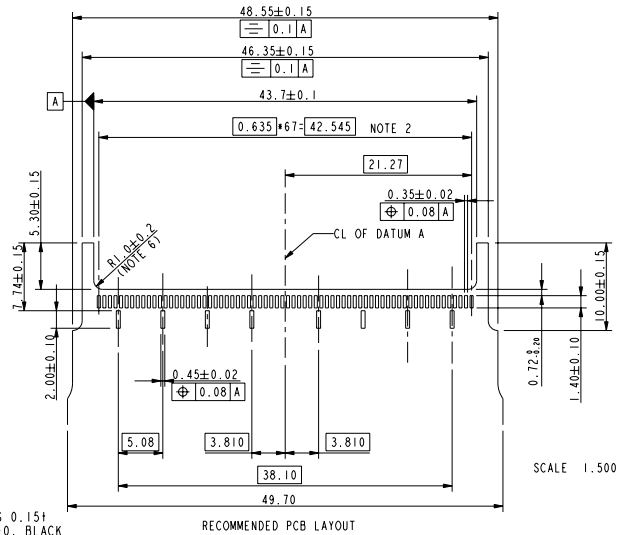
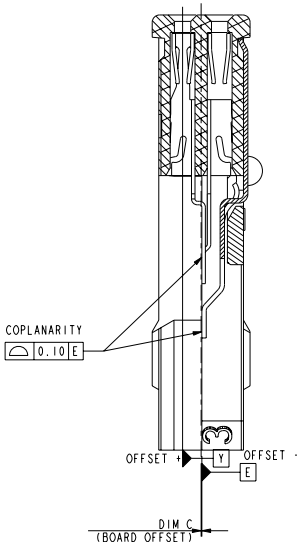
PDM: Rev:M STATUS:Released Printed: Jun 07, 2008

Tous droits strictement réservés. Reproduction ou communication à des tiers sans autorisation écrite du propriétaire. Propriété de FCJ. Droits de reproduction FCJ.



All rights strictly reserved. Reproduction or issue to third parties in any form is not permitted without written authority from the proprietor. Property of FCJ. Copyright FCJ.

PRODUCT NUMBER	DIM A	BOARD OFFSET DIM C	DIM D	PACKING
10014747-001	47.20±0.10	0	2.85±0.05	SEE NOTE 4 FOR DETAIL DESCRIPTION
10014747-002	47.20±0.10	0.3	2.85±0.05	
10014747-003	47.20±0.10	0.6	2.85±0.05	
10014747-004	46.70±0.10	0	2.85±0.05	
10014747-006	46.70±0.10	0	2.75±0.05	
10014747-007	47.20±0.10	-0.3	2.85±0.05	
10014747-XXXLF	47.20±0.10 (-001--003,005) 46.70±0.10 (-004,-006)	(LEAD FREE PLATING, SEE NOTE 7)		
10014747-XXXLF	47.20±0.10 (-001--003,005) 46.70±0.10 (-004,-006)	(LEAD FREE PLATING, SEE NOTE 7)		



- NOTE:
- MATERIAL:  
CONTACT: PHBR 0.124  
GROUND SHIELD: BRASS 0.151  
HOUSING: LCP UL 94V-0, BLACK
  - FINISH:  
CONTACT: ALL OVER --- Ni UNDER 0.5 MICRON; CONTACT --- Au or GXT PLATING 0.38 MICRON;  
SOLDER TAIL --- TIN LEAD 2.5 MICRON  
GROUND SHIELD: ALL OVER --- Ni UNDER 1.27 MICRON; CONTACT --- Au or GXT PLATING 0.38 MICRON;  
SOLDER TAIL --- TIN LEAD 3.8 MICRON
  - MAX. BOW OF PCB ON THIS DIMENSION IS 0.1mm.
  - MATED CONNECTOR SHOULD BE BASED ON JEIDA AND PCMCIA SPECIFICATION.
  - PACKING DETAIL: (REFER TO GS-14-723 AND GS-14-920)  
-XXX USE TRAY PACKAGE 1872 PCS / CARTON.  
-XXXT USE TAPE AND REEL 750 PCS / REEL.  
-XXXS USE TRAY PACKAGE 200 PCS / CARTON.  
-XXXX USE TAPE AND REEL 600 PCS / REEL.
  - ELIMINATE THE CORNER TO PREVENT INTERFERENCE WITH SOLDER TAIL.
  - LEAD FREE PLATING:  
FOR CONTACT TAIL: Ni UNDER PLATING 0.5 MICRON, TIN 2.5 MICRON;  
FOR GROUND SHIELD TAIL: Ni UNDER PLATING 1.27 MICRON, TIN 3.8 MICRON.
  - PRODUCT SPEC. REFER TO GS-12-228.
  - 10014747-XXXLF PRODUCTS MEET EUROPEAN UNION DIRECTIVES AND OTHER COUNTRY REGULATIONS AS DESCRIBED IN GS-22-008
  - THE HOUSING WILL WITHSTAND EXPOSURE TO 280°C PEAK TEMPERATURE FOR 10 SECONDS IN IR-REFLOW

mat'l code				tolerances unless otherwise specified		CUSTOMER		FCJ	
lfr	ecn no.	dr	date	.X±0.3	projection	COPY		www.fcjconnect.com	
M				.XX±0.13		title		68P CARDBUS RECEPTACLE ASS'Y	
				.XXX±0.05		product family		PCMCIA	
				angles 0°±2°		size		dwg no	
				dr KENNY TAI 10/03/02		scale		1.000	
				enr KENNY TAI 10/03/02		sheet		2	
				chr KENNY TAI 10/03/02		code		22526	
				oppd PAUL WANG 10/03/02		sheet		2	
sheet index	revision sheet					code		22526	

THIS FILE WAS ORIGINALLY CREATED IN THE PRO ENGINEER ENVIRONMENT AND ANY FUTURE REVISIONS TO THIS FILE MUST BE MADE IN THE PRO ENGINEER ENVIRONMENT

form no. 7530-001-I03