

**(1,27mm) .050"**  
**CFT, CFS SERIES**

# COMPACT FLASH TERMINALS & SOCKETS

**SPECIFICATIONS**

For complete specifications and recommended PCB layouts see [www.samtec.com?CFT](http://www.samtec.com?CFT)

**Insulator Material:** Black Liquid Crystal Polymer

**Terminal Material:** Phosphor Bronze

**Plating:** Sn or Au over 50µ" (1,27µm) Ni

**Current Rating:** 2A @ 80°C ambient

**Operating Temp Range:** -55°C to +105°C with Tin; -55°C to +125°C with Gold

**Lead-Free Solderable:** Yes

**SMT Lead Coplanarity:** (0,15mm) .006" max

**RoHS Compliant:** Yes



**CFT - 125 - LEAD STYLE - PLATING OPTION - D - RA - CARD LENGTH - SL**

Mates with: CFS

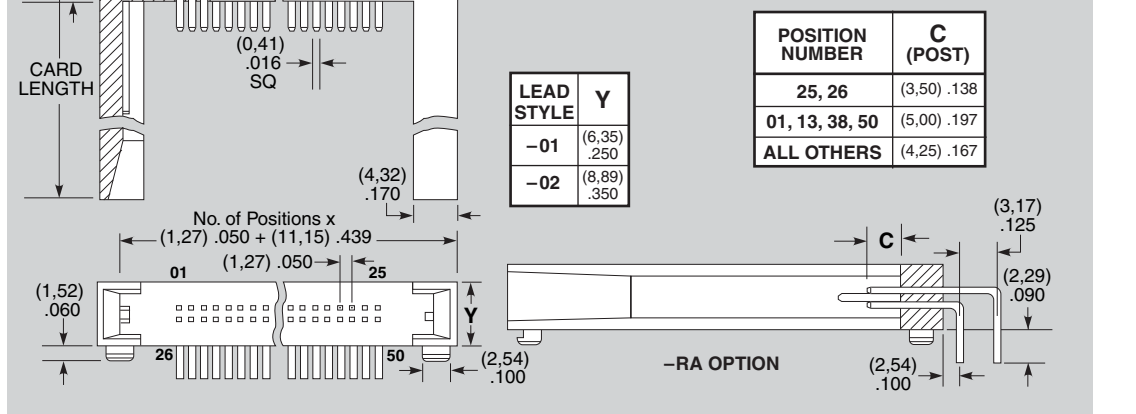
Specify LEAD STYLE from chart

**-L**  
= 10µ" (0,25µm) Gold on post, Matte Tin on tail

**-S**  
= 30µ" (0,76µm) Gold on post, Matte Tin on tail

**-01**  
= (25,40mm) 1.00" Card Length

**-02**  
= (50,80mm) 2.00" Card Length



**APPLICATION**

Reflowed solder forced into lock notch

Plated Through-hole Plastic Solder Lock

**Note:** Some lengths, styles and options are non-standard, non-returnable.

**SPECIFICATIONS**

For complete specifications and recommended PCB layouts see [www.samtec.com?CFS](http://www.samtec.com?CFS)

**Insulator Material:** Black Liquid Crystal Polymer

**Contact Material:** BeCu

**Plating:** Au or Sn over 50µ" (1,27µm) Ni

**Current Rating:** 1A

**Operating Temp Range:** -55°C to +125°C

**Contact Resistance:** 10 mΩ max

**Insertion Depth:** (3,05mm) .120" min

**Insertion Force:** (Single contact only) 3.3oz (0,92N) avg.

**Withdrawal Force:** (Single contact only) 2.5oz (0,70N) avg.

**Lead-Free Solderable:** Yes

**SMT Lead Coplanarity:** (0,10mm) .004" max

**RoHS Compliant:** Yes



**CFS - 1 - NO. PINS PER ROW - CARD THICKNESS - PLATING OPTION - D**

Mates with: CFT

**Note:** Some sizes, styles and options are non-standard, non-returnable.

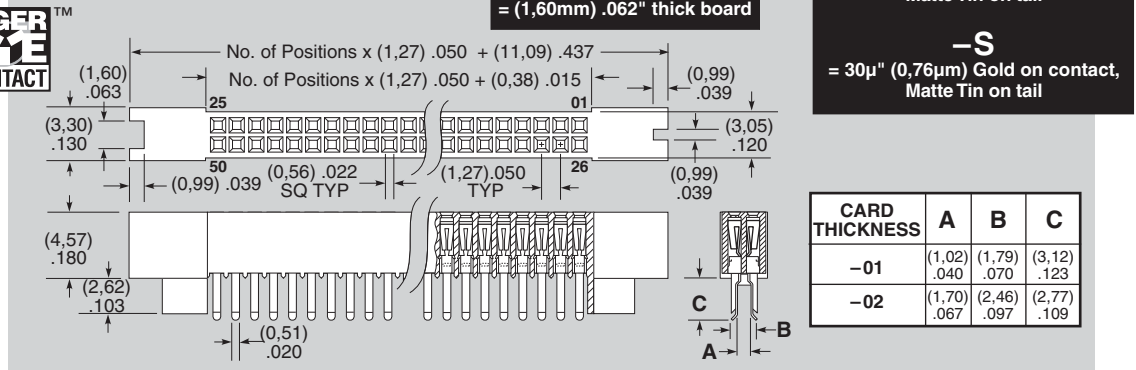
**25**

**-01**  
= (0,80mm) .031" thick board

**-02**  
= (1,60mm) .062" thick board

**-L**  
= 10µ" (0,25µm) Gold on contact, Matte Tin on tail

**-S**  
= 30µ" (0,76µm) Gold on contact, Matte Tin on tail



Due to technical progress, all designs, specifications and components are subject to change without notice.

[WWW.SAMTEC.COM](http://WWW.SAMTEC.COM)

SAMTEC USA • Tel: 1-800-SAMTEC-9 or 812-944-6733 SAMTEC SILICON VALLEY • Tel: 408-395-5900 SAMTEC SOUTHERN CALIFORNIA • Tel: 1-800-726-8329  
 SAMTEC AMERICA LATINA COMERCIO EXTERIOR LTDA • Tel: (+55 31) 3786 3227 SAMTEC UNITED KINGDOM • Tel: 44 01236 739292 SAMTEC GERMANY • Tel: +49 (0) 89 / 89460-0  
 SAMTEC FRANCE • Tel: 33 01 60 95 06 60 SAMTEC ITALY • Tel: 39 039 6890337 SAMTEC NORDIC/BALTIC • Tel: +46-84477280 SAMTEC BENELUX • Tel: 44 01236 739292 SAMTEC ISRAEL • Tel: 972-3-7526600  
 SAMTEC INDIA • Tel: +91-80-3272 1612 SAMTEC ASIA PACIFIC • Tel: 65 6745-5955 SAMTEC JAPAN • Tel: 045-475-1385 SAMTEC CHINA • Tel: 86-21-61103766 SAMTEC TAIWAN • Tel: 886-2-2735-6109  
 SAMTEC HONG KONG • Tel: 852-2390-0858 SAMTEC KOREA • Tel: 82-31-717-5685 SAMTEC ANZ • Tel: 613 9512 7747 SAMTEC SOUTH AFRICA • Tel: 27 11 452 8112