

7361Z0001SxxLF

Lead Free Version (Optional)
Customer Specificity

GENERAL

This Smart Card Reader uses a sliding contact technology. It has been designed for easy mounting on metal panel.

ELECTRICAL PROPERTIES

Insulation resistance : 5000 M
Dielectric withstanding : 750 VAC
Current carrying capacity : 10 μ A min. 1A max.
Contact resistance : 100 m
Card sensor type : Blade switch normally closed

MECHANICAL PROPERTIES

EMV compatible and according to ISO 7816-2
Contact normal force : between 0.2 N to 0.6 N per contact
Insertion force : 10 N max.
Withdrawal force : 1 N min.
Max. number of mating operations : 10000 card insertions.

CAPACITOR :

100nF, chip size 0805 in (2012 mm), Y5V, 25V or 50V

READER MATERIAL

Housing : Thermoplastique, 30% GF, Colour black, Rated UL94V0
Contacts and switch : Phosphor bronze
Plating : precoat Nickel 2.5 μ m min. all over
Gold 0.2 μ m min. on contacts areas
SnPB 3 μ m min. on termination contacts for Leaded version
Matte Sn 3 μ m on termination end for Leadfree version

ENVIRONMENT

Operating temperature : -20 °C / +70 °C
Storage temperature : -40 °C / +85 °C
Panel thickness : 0.8+0.1 mm

PACKAGING

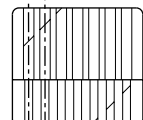
Trays
Packaging specification : VGN11646

LEAD FREE VERSION:

"This product meets European Union Directives and other country regulations as described in GS-22-008"

The housing will withstand exposure to 260°C peak temperature for 10seconds in a wave solder application with a 1.6mm minimum thick circuit board. Use protective adhesive tape (Kapton or Teflon) or protective metallic devices on the areas which are directly exposed to wave soldering as it is used in classical leaded wave soldering

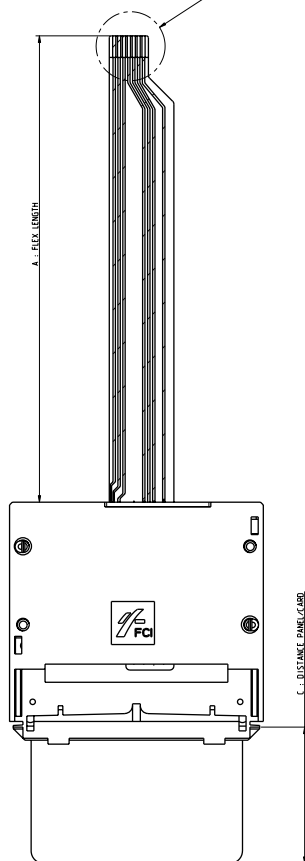
B - TERMINAL PITCH



DETAIL A
SCALE 5/1

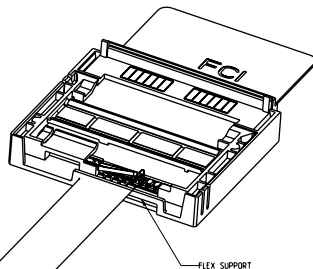
SEE DETAIL A

A - FLEX LENGTH



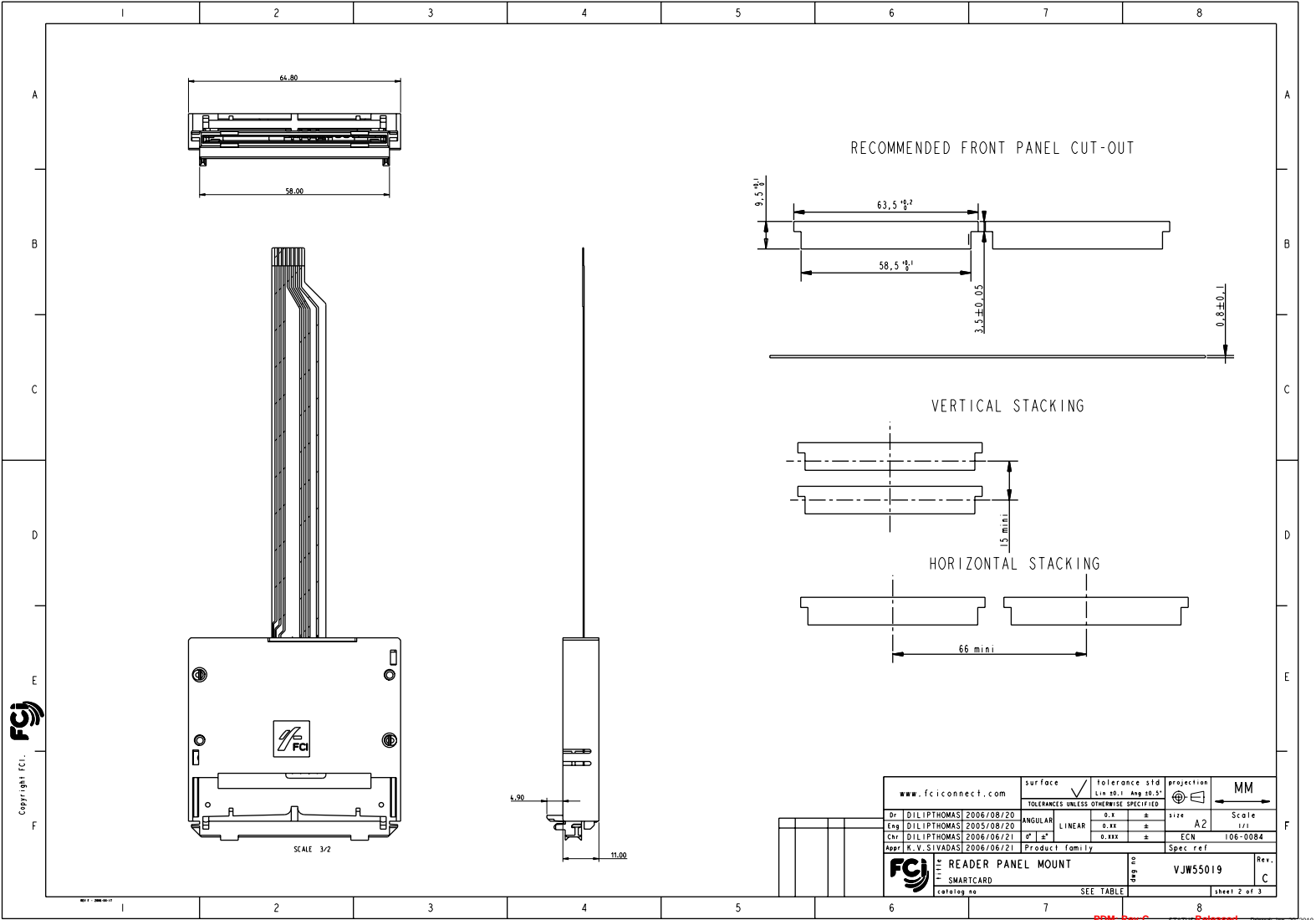
SCALE 3/2

C - DISTANCE PANEL CARD



SCALE 10/15

www.fciconnect.com		surface	tolerance std	projection	MM
			Lin 0.1 Ang 0.2		
		TOLERANCES UNLESS OTHERWISE SPECIFIED			
Dr	DIL IPTHOMAS 2006/08/20	ANGULAR	0.X	0	A2
Eng	DIL IPTHOMAS 2005/08/20	LINEAR	0.XX	0	Scale 1/1
Chr	DIL IPTHOMAS 2006/06/21	"L"	0.XXX	0	ECN 106-0084
Appr	K. V. SIVADASI 2006/06/21	Product family		Spec ref	
FCI SMARTCARD		Part no	VJW55019		Rev. C
catalog no		SEE TABLE		sheet 1 of 3	



Copyright FCI
FCI

www.fciconnect.com		surface	tolerance std	projection	MM
DIP		ANGULAR	LIN	MM	Scale
DIP		LINEAR	MM	MM	1/1
Chr		2"	MM	ECN	106-0084
Appr		Product family		Spec ref	
READER PANEL MOUNT		VJW55019		Rev.	
SMARTCARD		SEE TABLE		C	
catalog no		sheet 2 of 3			

7x61Z0001SxxLF

LIST OF PART NUMBERS

X=3. STANDARD TRAY
X=5. ANTISTATIC TRAY

Lead Free Version (Optional)
Customer Specificity

PRODUCT NUMBER	A: FLEX LENGTH (mm)	B: TERMINAL PITCH (mm)	NUMBER OF TRACKS	FLEX FORM	CAPACITOR NUMBER	CONTACT NUMBER	C: DISTANCE PANEL/CARD (mm)	PACKING TYPE
7361Z0001S13	96	1	10	STRAIGHT	2	8 : ISO	35	A
7361Z0001S14	101	1	10	STRAIGHT	2	16 ISO+AFNOR	35	A
7361Z0001S15	96	1	10	STRAIGHT	2	8 : ISO	25	A
7361Z0001S22	156	1.25	10	STRAIGHT	1	16 ISO+AFNOR	35	A
7361Z0001S29	58	1.25	10	STRAIGHT	NONE	8 : ISO	35	A
7561Z0001S29	58	1.25	10	STRAIGHT	NONE	8 : ISO	35	A
7361Z0001S31	58	1.25	10	STRAIGHT	NONE	8 : ISO	25	A
7361Z0001S33	58	1.25	10	STRAIGHT	1	8 : ISO	35	A
7361Z0001S35	120	1.25	10	STRAIGHT	1	8 : ISO	35	A
7361Z0001S36	120	1.25	10	STRAIGHT	1	8 : ISO	15	B
7361Z0001S37	58	1.25	10	STRAIGHT	NONE	8 : ISO	15	B
7361Z0001S38	85	1.25	10	STRAIGHT	1	16 ISO+AFNOR	35	A
7361Z0001S39	58	1.25	10	STRAIGHT	NONE	8 : ISO	35	A
7361Z0001S40	118	1.25	7	STRAIGHT	1	8 : ISO	35	C
7361Z0001S41	118	1.25	7	STRAIGHT	1	8 : ISO	15	B
7361Z0001S42	60	1.25	7	STRAIGHT	NONE	8 : ISO	25	A
7361Z0001S43	58	1.25	10	STRAIGHT	1	8 : ISO	25	A

PACKING TYPE:
 A : 28 CONNECTORS / TRAY
 420 CONNECTORS / SHIPPING BOX
 B : 25 CONNECTORS / BLOCK
 500 CONNECTORS / SHIPPING BOX
 C : 12 CONNECTORS / TRAY
 120 CONNECTORS / SHIPPING BOX

Copyright FCI



www.fciconnect.com		surface	tolerance std	projection	MM
Dil DIL1PTHOMAS 2006/08/20		ANGULAR	0.X	0.125	Scale 1/1
Eng DIL1PTHOMAS 2005/08/20		LINEAR	0.XX	A2	
Chr DIL1PTHOMAS 2006/06/21		0.XXX	0	ECN 106-0084	
Appr X.V.SIVADASI 2006/06/21		Product family		Spec ref	
FCI SMARTCARD		READER PANEL MOUNT		VJW55019	
SEE TABLE		SEE TABLE		sheet 3 of 3	