

DO NOT SCALE DRAWING  
DIMENSION IN METRIC

DWG. NO.  
SD 35395-0811

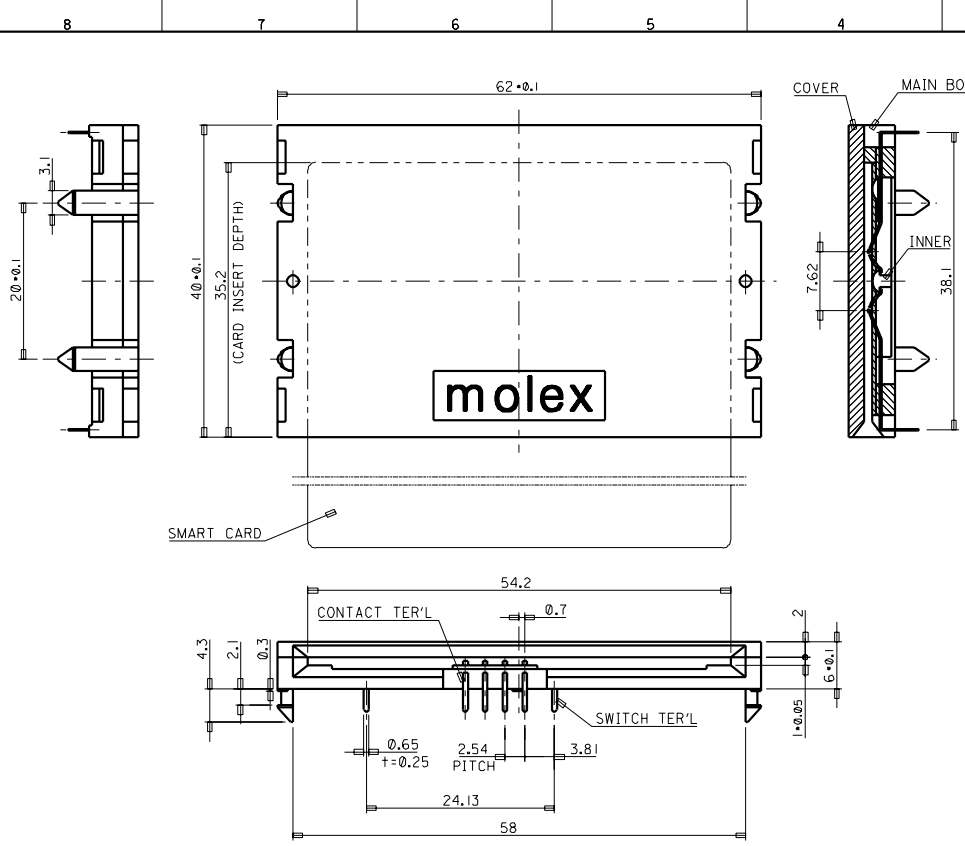
SIMILAR ITEM

PROJECT NO.

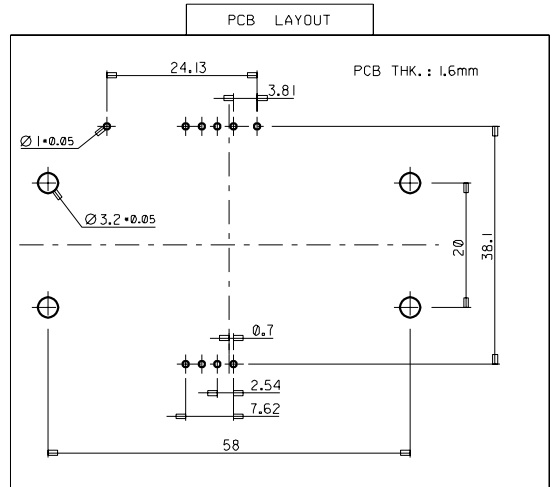
C

B

A



NOTE  
 1. MATERIAL :  
 a) MAIN BODY / COVER / INNER : PBT, UL94V-0  
 b) CONTACT / SWITCH TER'L : PHOSPHOR BRONZE  
 2. PLATING  
 a) CONTACT AREA : SELECTIVE Au 1.27um OVER NI OVER COPPER OVERALL  
 b) SOLDER TAIL : 2+3um SnPb OVER COPPER OVERALL  
 3. DURABILITY : 100,000 CYCLES



NEW RELEASED EC NO. KOR1998-0137 DRWN: K.S.KIM(981110) CHK: J.K.OH APPR: C.W.LEE	QUALITY SYMBOLS MAJOR = CRITICAL =	GENERAL TOLERANCES (UNLESS SPECIFIED)		SCALE 2 : 1	DESIGN UNITS <input checked="" type="checkbox"/> mm <input type="checkbox"/> INCH	THIRD ANGLE PROJECTION <input checked="" type="checkbox"/>	DIMENSIONS: <input type="checkbox"/> mm <input type="checkbox"/> INCH <input checked="" type="checkbox"/> mm ONLY	SHT	REV
		4 PLACES	±0.	±.	DRAWN BY & DATE K.S.KIM(981110)	TITLE: SMART CARD CONN.(SCRATCH TYPE)			
		3 PLACES	±0.	±.	CHECKED BY & DATE J.K.OH	<b>MOLEX INCORPORATED KOREA</b>			
		2 PLACES	±0.15	±.	APPROVED BY & DATE C.W.LEE				
1 PLACE	±0.2	±.	ANGULAR: ± 1 °	CAD FILENAME SD35395.DCN	MATERIAL NO. 35395-0811	DRAWING NO. SD 35395-0811	SHEET NO. 1 OF 1	SIZE B	
DRAFT WHERE APPLICABLE MUST REMAIN WITHIN DIMENSIONS			THIS DRAWING CONTAINS INFORMATION THAT IS PROPRIETARY TO MOLEX INCORPORATED AND SHOULD NOT BE USED WITHOUT WRITTEN PERMISSION.						

8 7 6 5 4 3 2 1 MX-A3