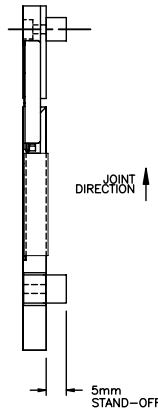
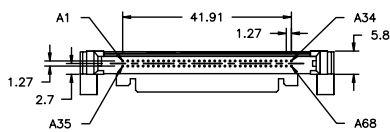
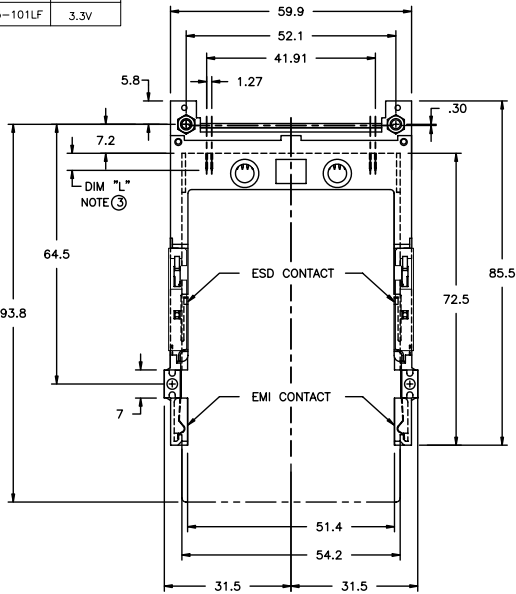


Tous droits strictement réservés. Reproduction ou communication a des tiers interdite sous quelque forme que ce soit sans autorisation écrite du propriétaire. Propriété de c FCI. Droits de reproduction FCI.

All rights strictly reserved. Reproduction or issue to third parties in any form whatever is not permitted without written authority from the proprietor. Property of FCI. Copyright FCI.

PRODUCT NO.	NOTE
72325-001	5.0V
72325-001LF	5.0V
72325-101	3.3V
72325-101LF	3.3V



NOTES:

- 1 **HEADER ASSY**
 PLASTIC: HOUSING - LCP UL94V-0 BLACK - ABOVE PCB
 PIN: PHOSPHOR BRONZE
GUIDE MECHANISM ASSY
 PLASTIC: GUIDE - POLYPHTHARAMID UL94V-0 BLACK
 COVER PLATE: STAINLESS STEEL
 EMI CONTACT: PHOSPHOR BRONZE
 - 2 **FINISH - PIN**
 UNDER PLATING: 0.5um Ni
 CONTACT AREA: 0.1um GOLD OVER
 0.5um Pd-Ni
 SOLDER TAIL(TIN LEAD OPTION): 2.5um Sn-Pb
 SOLDER TAIL(LEAD FREE OPTION): 2.5um PURE TIN
- | DIM "L" | 4.25±.1 | 3.5±.1 | 5.0±.1 |
|---------|---------|------------------|--------|
| OTHERS | 36,67 | 1,17,34,35,51,68 | |
- 3
 - 4 **RECOMMENDED HOLD DOWN - 2mm SCREWS**
 95121 AND 2mm NUTS 92869.
 SEE FOR CHARTED INFORMATION.
 RECOMMENDED SCREW TORQUE: 1.0 TO 1.5 MAX in-lbs. (1.2-1.7 cm-kgs).
 - 5 SEE TA-1052 FOR PCB LAYOUT.
 - 6 MATING CONNECTOR: 91931-31169. MUST BE PURCHASED SEPARATELY.
 - 7 IF LEAD FREE P/N,THE HOUSING WILL WITHSTAND EXPOSURE TO 260°C PEAK TEMPERATURE FOR 10 SECONDS IN A WAVE SOLDER APPLICATION WITH A 1.0MM MINIMUM THICK CIRCUIT BOARD.
 - 8 IF LEAD FREE P/N,THE PRODUCT MEETS EUROPEAN UNION DIRECTIVES AND OTHER COUNTRY REGULATIONS AS DESCRIBED IN GS-22-008
 - 9 LEAD FREE P/N PACKAGING MEETS GS-14-920 SPECIFICATION

mat'l. code		tolerances unless otherwise specified		CUSTOMER COPY		Electronics FCI	
ltr	ecn no	dr	date	linear	projection	title	
A	V61093	RHG	8/16/96			EJECTOR HEADER ASSEMBLY	
B	V61704	RHG	6/18/97			68 POS. SMT TYPE 123	
C	V80260	RHG	2/17/98	angles		product family MCS	
D	V92135	CGC	11/16/99	dr	R.GRAPE	8/16/96	code -
E	V12231	TFG	9/19/01	engr	D.BRANN	8/16/96	size dwg no
F	V05-0302	W B	04/21/05	chr	D.BRANN	8/16/96	sheet 1 of 5
G	N05-0116	W B	04/27/05	appd	D.BRANN	8/16/96	scale 1:1
sheet index	revision	G	G	G	G	G	cage code
	sheet	1	2	3	4	5	4

ACAD

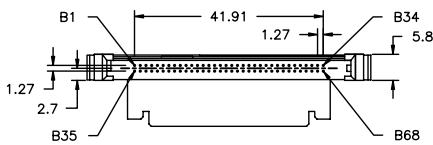
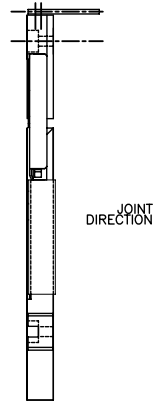
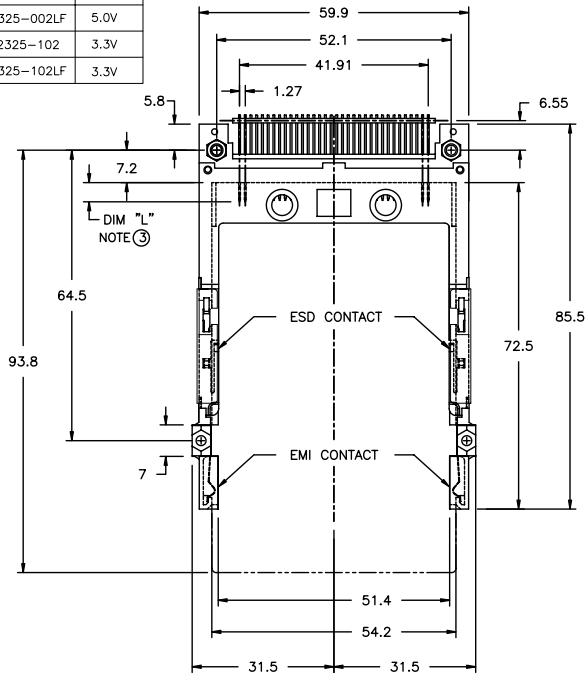
PDM: Rev:G

STATUS: Released 2.6 Printed: Oct 12, 2014

Tous droits strictement réservés. Reproduction ou communication à des tiers interdite sous quelque forme que ce soit sans autorisation écrite du propriétaire. Propriété de FCI. Droits de reproduction FCI.

All rights strictly reserved. Reproduction or issue to third parties in any form whatever is not permitted without written authority from the proprietor. Property of FCI. Copyright FCI.

PRODUCT NO.	NOTE
72325-002	5.0V
72325-002LF	5.0V
72325-102	3.3V
72325-102LF	3.3V



mat'l. code		tolerances unless otherwise specified		CUSTOMER COPY		FCI Electronics www.fciconnect.com	
ltr	ecn no	dr	date	linear	.X±.3	projection	title
G					.XX±.13		EJECTOR HEADER ASSEMBLY
				angles	.XXX±.051		68 POS. SMT TYPE 123
					0° ±2°	product family	MCS
				dr	R.GRAPE 8/16/96	size	dwg no
				engr	D.BRANN 8/16/96	scale	72325
				chr	D.BRANN 8/16/96	1:1	A4
				appd	D.BRANN 8/16/96		
sheet	revision						
index	sheet						

ACAD

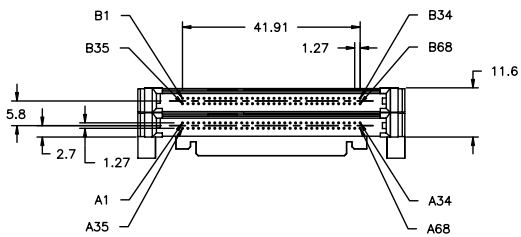
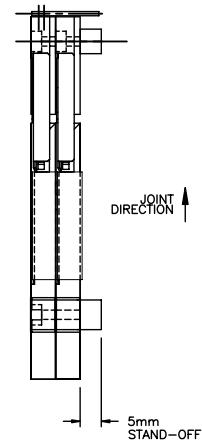
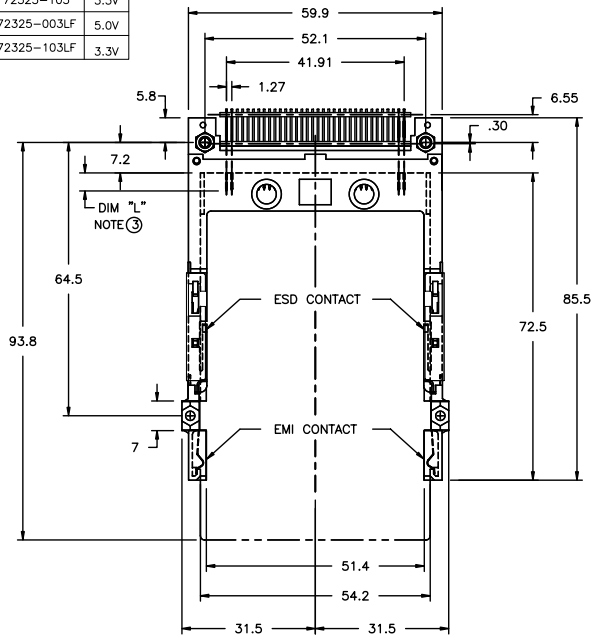
PDM: Rev:G

STATUS Released 2.6 Printed: Oct 12, 2014

Tous droits strictement réservés. Reproduction ou communication à des tiers
interdite sous quelque forme que ce soit sans autorisation écrite du propriétaire.
Propriété de FCI. Droits de reproduction FCI.

All rights strictly reserved. Reproduction or issue to third parties in any
form whatever is not permitted without written authority from the proprietor.
Property of FCI. Copyright FCI.

PRODUCT NO.	NOTE
72325-003	5.0V
72325-103	3.3V
72325-003LF	5.0V
72325-103LF	3.3V



NOTE:
TA-1052, PAGE 1, FOR PCB LAYOUT.

mat'l. code				tolerances unless otherwise specified		CUSTOMER COPY		Electronics FCI	
ltr	ecn no	dr	date	linear	.X±.3	projection	title	www.fciconnect.com	
G					.XX±.13		EJECTOR HEADER ASSEMBLY		
				angles	.XXX±.051		size	68 POS. SMT TYPE 123	
				dr	0° ±2'	MM	product family	MCS	code
				enrg	R.GRAPE 8/16/96	scale	size	dwg no	sheet
				chr	D.BRANN 8/16/96	1:1	A4	72325	3 of
				appd	D.BRANN 8/16/96				
sheet index	revision sheet						cage code		

ACAD

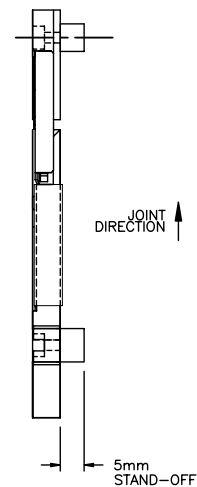
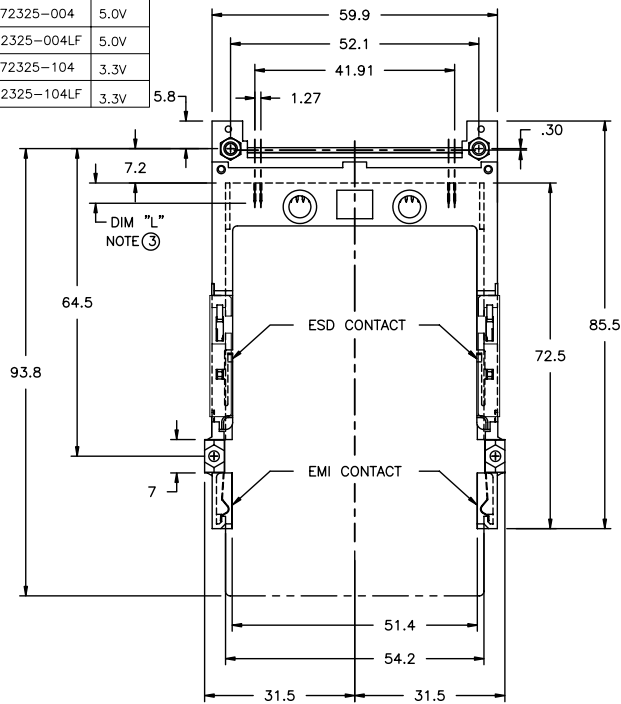
PDM: Rev:G

STATUS Released 2.6 Printed: Oct 12, 2014

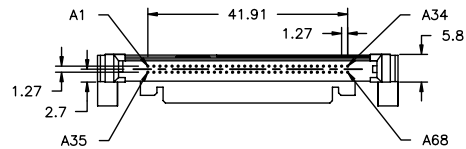
Tous droits strictement réservés. Reproduction ou communication à des tiers interdite sous quelque forme que ce soit sans autorisation écrite du propriétaire. Propriété de FCI. Droits de reproduction FCI.

All rights strictly reserved. Reproduction or issue to third parties in any form whatever is not permitted without written authority from the proprietor. Property of FCI. Copyright FCI.

PRODUCT NO.	NOTE
72325-004	5.0V
72325-004LF	5.0V
72325-104	3.3V
72325-104LF	3.3V



NOTE:
TA-1052, PAGE 3, FOR PCB LAYOUT.

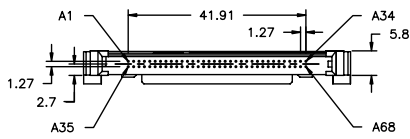
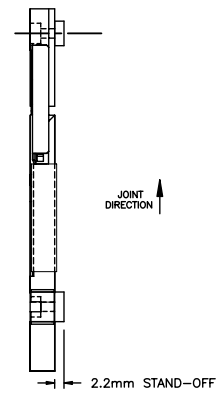
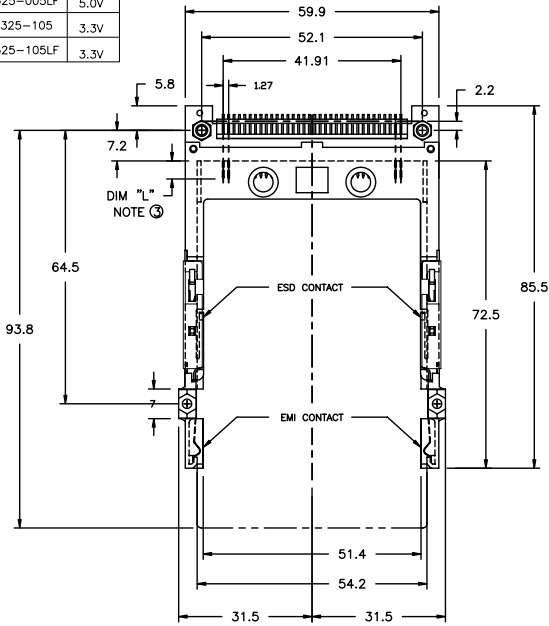


mat'l. code				tolerances unless otherwise specified		CUSTOMER COPY		 FCI www.fciconnect.com	
ltr	ecn no	dr	date	linear	.X±.3	projection	title	EJECTOR HEADER ASSEMBLY	
g					.XX±.13		68 POS. SMT TYPE 123		
				angles	.XXX±.051		product family	MCS	code
				dr	R.GRAPE 2/17/98	MM	size	dwg no	sheet
				enrg	D.BRANN 2/17/98	1:1	A4	72325	4 of
				chr	D.BRANN 2/17/98				
				appd	D.BRANN 2/17/98				
sheet index	revision sheet						cage code		

Tous droits strictement réservés. Reproduction ou communication à des tiers
interdite sous quelque forme que ce soit sans autorisation écrite du propriétaire.
Propriété de FCI. Droits de reproduction FCI.

All rights strictly reserved. Reproduction or issue to third parties in any
form whatever is not permitted without written authority from the proprietor.
Property of FCI. Copyright FCI.

PRODUCT NO.	NOTE
72325-005	5.0V
72325-005LF	5.0V
72325-105	3.3V
72325-105LF	3.3V



NOTE:
TA-1052, PAGE 3, FOR PCB LAYOUT.

mat'l. code		tolerances unless otherwise specified		CUSTOMER COPY		Electronics FCI	
ltr	ecn no	dr	date	linear	.X±.3	projection	www.fciconnect.com
G					.XX±.13	MM	
				angles	.XXX±.051	1:1	title
				dr	0° ±2'	A4	EJECTOR HEADER ASSEMBLY
				engr	G.CLEMENS 11/16/99		68 POS. SMT TYPE 123
				chr	D.BRANN 11/16/99		product family
				appd	D.BRANN 11/16/99		MCS
sheet	revision						code
index	sheet						-
							size
							dwg no
							72325
							sheet
							5 of

ACAD

PDM: Rev:G

STATUS Released 2.6 Printed: Oct 12, 2014