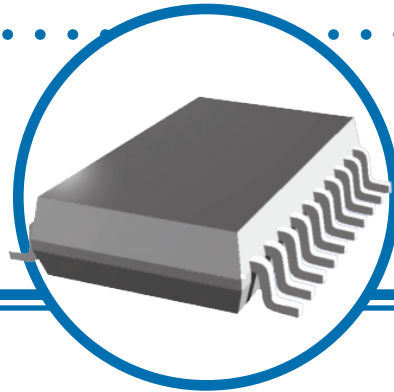


Schottky Diode Termination Network

QDN001 Series

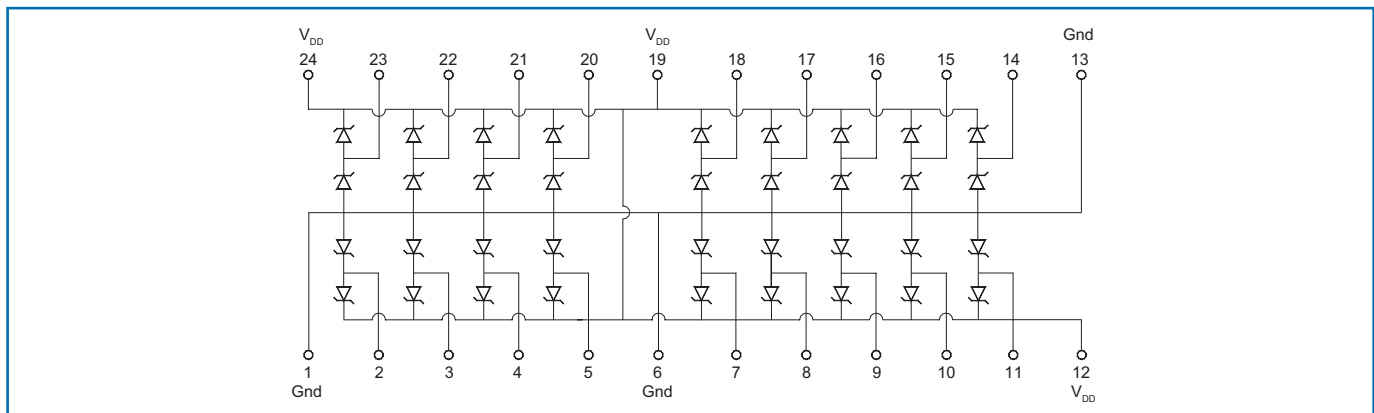
- Suitable for high speed memory bus applications
- RoHS compliant and Sn/Pb terminations available
- Reduces overshoot and undershoot for all data line types
- Effective termination for both controlled/uncontrolled line terminations
- 36 Schottky diodes integrated in a QSOP package for fast turn-on/reverse recovery characteristics



Electrical Data

Parameter	Min Value	Max Value
Operating Voltage (V_{DD})	-0.3V	7.0V
Diode Forward Voltage		
Forward Current = 10mA	N/A	0.5V
Forward Current = 50mA		0.8V
Channel Input Capacitance ($V_{IN} = 2.5V$, $V_{DD} = 5V$, $T = 25^{\circ}C$)	N/A	5pF
ESD Protection		
MIL-STD-883 Method 3015	N/A	$\pm 4KV$
Channel Leakage Current ($T = 25^{\circ}C$) ($0 V_{IN}$ V_{DD})	N/A	0.1 μA
Channel Clamp Current	N/A	$\pm 50mA$
Package Power Rating	N/A	1.0W
Operating Temperature Range	0 $^{\circ}C$	+70 $^{\circ}C$
Storage Temperature Range	-65 $^{\circ}C$	+150 $^{\circ}C$

Schematic Data



General Note

IRC reserves the right to make changes in product specification without notice or liability. All information is subject to IRC's own data and is considered accurate at time of going to print.

© IRC Advanced Film Division • 4222 South Staples Street • Corpus Christi Texas 78411 USA
Telephone: 361 992 7900 • Facsimile: 361 992 3377 • Website: www.irctt.com

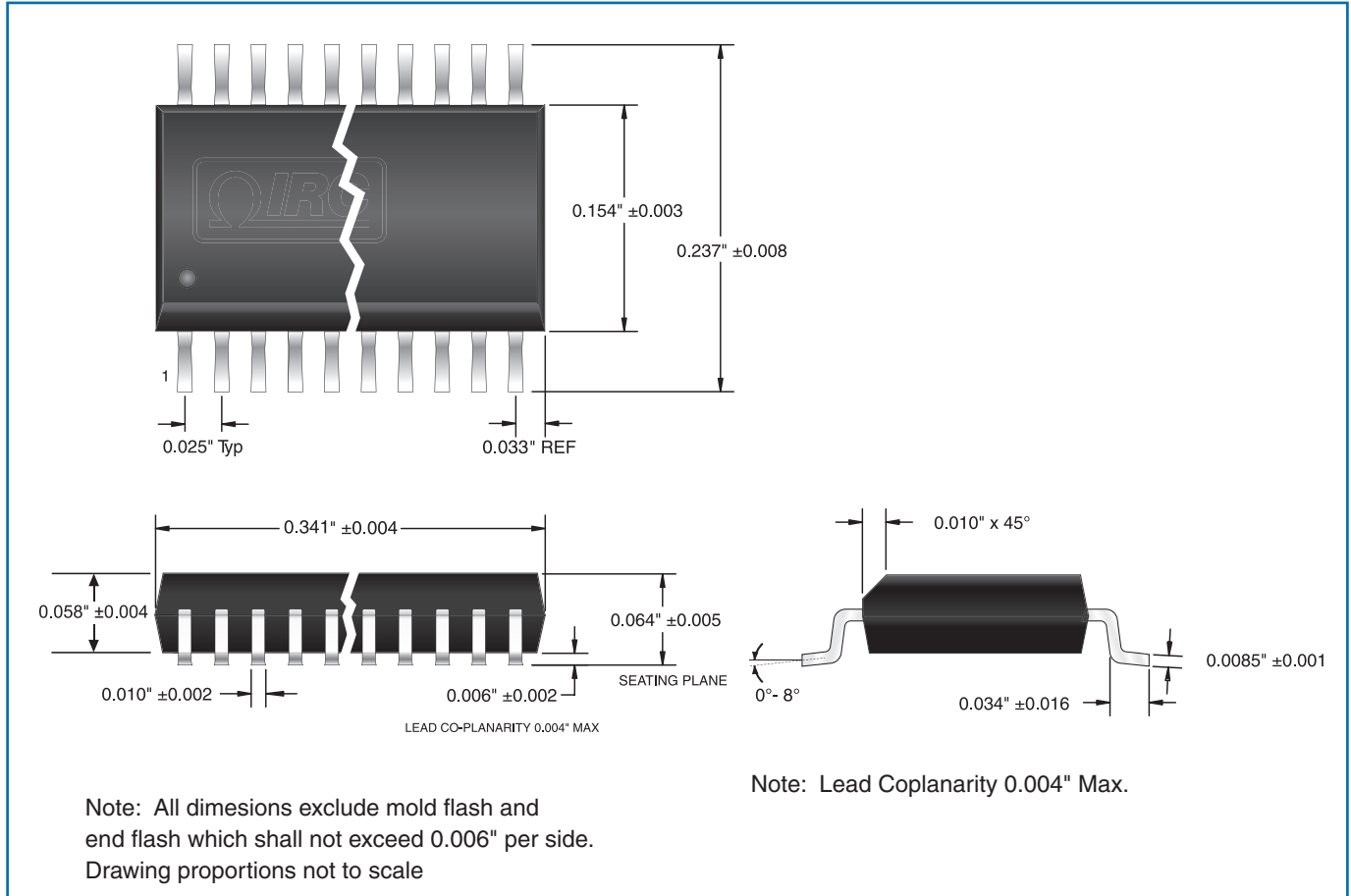


A subsidiary of
TT electronics plc

QDN001 Series Issue January 2009 Sheet 1 of 2

Schottky Diode Termination Network

Physical Data



Ordering Data

Prefix **DNR** - **QDN001LF**

Model
 QDN001LF = 24-pin, high speed, 18-line termination network with 100% matte tin, Pb-free terminations
 QDN001 = 24-pin, high speed, 18-line termination network with Sn/Pb terminations

Packaging
 Specify tubes or tape & reel.

For additional information or to discuss your specific requirements, please contact our Applications Team using the contact details below.