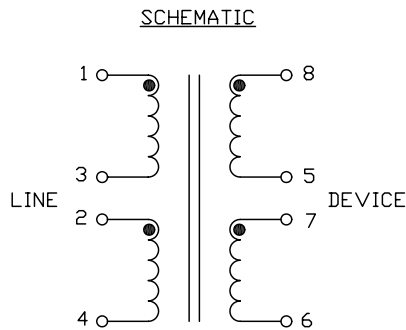


THE INFORMATION CONTAINED HEREIN IS CONSIDERED "PROPRIETARY" TO BEL FUSE INC. AND SHALL NOT BE COPIED, REPRODUCED OR DISCLOSED WITHOUT THE WRITTEN APPROVAL OF BEL FUSE INC.



ELECTRICAL CHARACTERISTICS (@25°C)

NOMINAL TURNS RATIO:
 (8-6) : (1-4) 1 : 1.22
 CONNECT TERMINALS 2 TO 3 & 5 TO 7

DC RESISTANCE:
 (8-5) 0.55 Ω MAX
 (7-6) 0.55 Ω MAX
 (2-4) 0.52 Ω MAX
 (1-3) 0.52 Ω MAX

INDUCTANCE @ 100 kHz, 0.1 Vrms:
 (1-4) 100 μH ±5%
 CONNECT TERMINALS 2 TO 3

LEAKAGE INDUCTANCE:
 (1-4) 6 μH MAX
 CONNECT TERMINALS 2 TO 3 & 5 TO 7
 SHORT TERMINALS 5, 6, 7, & 8

DIRECT CAPACITANCE:
 BETWEEN (1-4) & (8-6) 20 pF MAX
 CONNECT TERMINALS 2 TO 3 & 5 TO 7

DISTRIBUTED CAPACITANCE
 (8-6) 20 pF MAX
 CONNECT 5 TO 7

TOTAL HARMONIC DISTORTION
 4 Vrms, 100kHz, 100 Ω LINE -80 dB MAX

MINIMUM DIELECTRIC RATING:
 BETWEEN (1-4) & (8-6) 1500 Vrms
 CONNECT TERMINALS 2 TO 3 & 5 TO 7

COMPLIES WITH UL1950
 OPERATING TEMPERATURE RANGE: -40°C TO +85°C

DRWN	DATE
R. HARRIS\IN	07-04-02
CHKD	DATE
J. BERRY\KEN	07-04-02

TITLE
ELECTRICAL SPECIFICATIONS

PART NO. / DRAWING NO.
S560-6600-GM
FILE NAME
S5606600GMB.DWG

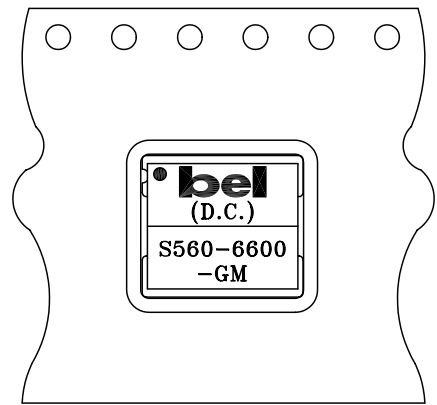
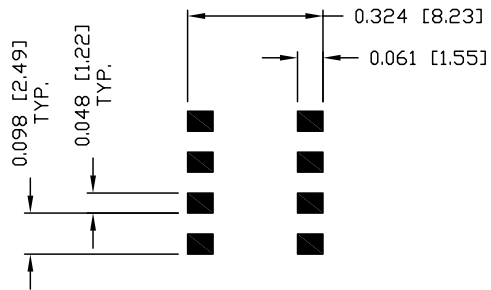
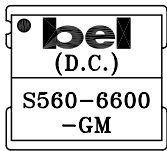
STANDARD DIM.	<input type="checkbox"/> METRIC DIM. AS REFERENCE
TOL. IN INCH	UNIT : INCH [mm] REV. : B
.X	SCALE : N/A SIZE : A4
.XX	PAGE : 2
.XXX	



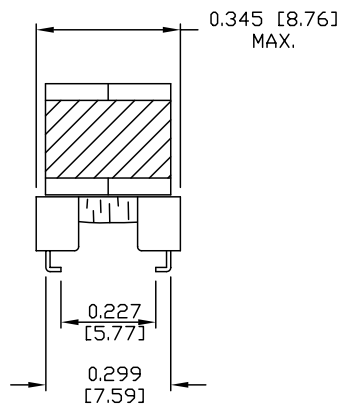
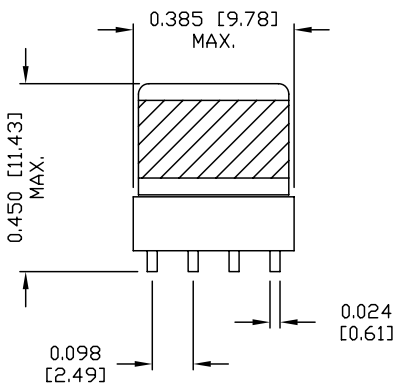
FORM NO. - ENG02082001

THE INFORMATION CONTAINED HEREIN IS CONSIDERED 'PROPRIETARY' TO BEL FUSE INC. AND SHALL NOT BE COPIED, REPRODUCED OR DISCLOSED WITHOUT THE WRITTEN APPROVAL OF BEL FUSE INC.

SUGGESTED PAD LAYOUT



ORIENTATION OF COMPONENT INSIDE POCKET



TAPE WIDTH	24MM
POCKET PITCH	16MM
QUANTITY OF COMPONENTS PER REEL	300
PLASTIC REEL OUTER DIAMETER	13 INCHES
PLASTIC REEL HUB DIAMETER	4 INCHES
COMPLY WITH EIA 481-2-A	

NOTES:

- STANDARD MARKING REFER TO DOC. HAND-WORK-04.
- PACKAGE CODE: "WPS001".

DRWN	DATE	
R. HARRIS\IN	07-04-02	
CHKD	DATE	
J. BERRY\MANC	07-04-02	

TITLE	
MECHANICAL SPECIFICATIONS	

PART NO. / DRAWING NO.	S560-6600-GM
FILE NAME	S5606600GMB.DWG

STANDARD DIM. TOL. IN INCH	[] METRIC DIM. AS REFERENCE
.X	UNIT : INCH [mm] REV. : B
.XX	SCALE : N/A SIZE : A4
.XXX	±0.005 PAGE : 3

