

Features

- IEEE 802.3 Ethernet compatible
- Dual channel 16-pin SMD
- RoHS compliant*

Applications

- Ethernet

PT61011L LAN 10/100 Base-Tx

Electrical Specifications @ 25 °C

Inductance - Open Circuit.. 350 mH min.
 (100 KHz, 0.2 V with 8 mA DC bias)
 Turns Ratio ($\pm 2\%$)
TX 1CT : 1CT; RX 1CT : 1 CT
 Leakage Inductance..... 0.5 μ H max.
 DCR..... 0.9 ohms max.
 Insertion Loss
 0.1 - 100 MHz -1.0 dB max.
 Return Loss (@ 100 ohms)
 0.1 - 30 MHz -18 dB min.
 30 - 60 MHz -14 dB min.
 60 - 80 MHz -11 dB min.
 Cross Talk
 0.1 - 100 MHz -35 dB min.
 Common Mode Rejection Ratio
 1 - 100 MHz -40 dB typ.
 C_{ww} 25 pF max.
 Isolation 1500 VAC
 Operating Temperature... 0 °C to +70 °C

*CT: Center tap

Packaging Specifications

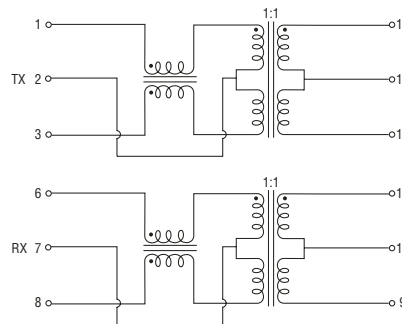
Tube..... 18 pcs./tube
 Tape & Reel* 750 pcs. /reel

**"E" suffix before "L" in part number designates tape & reel packaging, e.g. PT61011EL.

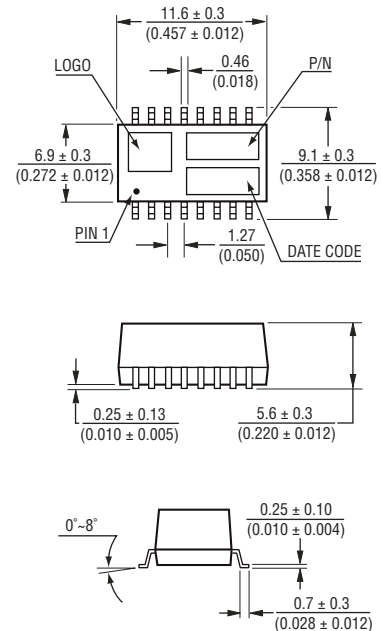
How To Order

Model PT61011 L
 Packaging _____
 Blank = Packaged in tubes
 E = Tape and reel
 Termination _____
 L = Tin only (lead free)

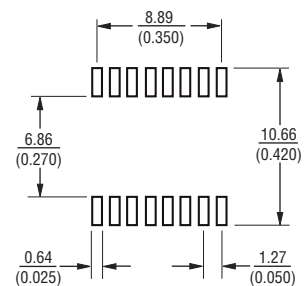
Electrical Schematic



Product Dimensions



Recommended Layout



DIMENSIONS: $\frac{\text{MM}}{\text{(INCHES)}}$

REV. 09/08

*RoHS Directive 2002/95/EC Jan 27 2003 including Annex.
 Specifications are subject to change without notice.
 Customers should verify actual device performance in their specific applications