




ADSL LINE TRANSFORMERS

For Infineon ADSL CPE Chipsets



-  Matched to Infineon's Amazon ADSL chipset
-  Designed to meet IEC60950 supplementary insulation requirements at 250V working voltage
-  1500V Breakdown Isolation between windings

Electrical Specifications @ 25°C — Operating Temperature -40°C to 85°C

Part Number		Turns Ratio		OCL Primary (mH ±10%)	THD @ 30kHz, (dB MAX)	Isolation Voltage (Vrms)
RoHS-5	RoHS-6	Line:TX	Line:RX			
BX2913L	BX2913LNL	4.2:1	2:1	1.4	-88	1500
-	BX2917LNL	3.8:1	1.9:1	0.2	-95	1500

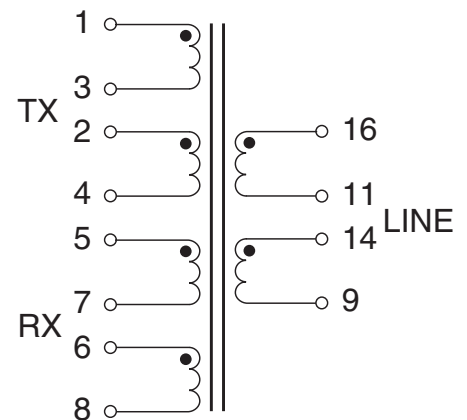
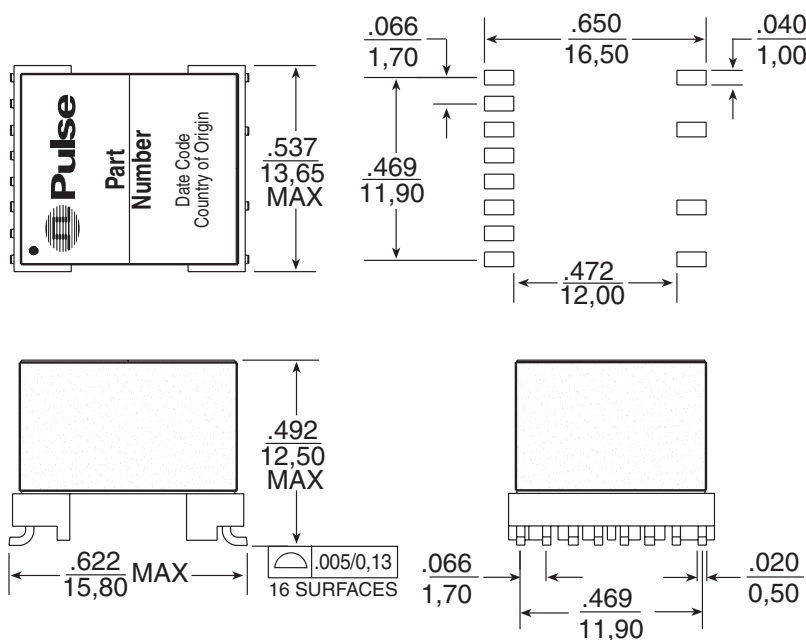
NOTES: Transformers are shipped in trays, unless Tape & Reel packaging is specified by adding the suffix "T" to this part number (Ex: BX2913LT or BX2913LNLTL).

Mechanical

Schematic

BX2913L / BX2913LNL / BX2917LNL

SUGGESTED PAD LAYOUT



Weight6.5 grams
 Tape & Reel150/reel
 Tray60/tray

Dimensions: Inches
 mm
 Unless otherwise specified, all tolerances are ± .010
 .025

For More Information:

Pulse Worldwide Headquarters

12220 World Trade Dr.
 San Diego, CA 92128
 U.S.A.

www.pulseeng.com

TEL: 858 674 8100

FAX: 858 674 8262

Pulse Europe

Einsteinstrasse 1
 D-71083 Herrenberg
 Germany

Tel: 49 7032 7806 116

Fax: 49 7032 7806 135

Pulse China Headquarters

No. 1
 Industrial District
 Changan, Dongguan
 China

Tel: 86 769 85538070

Fax: 86 769 85538870

Pulse North China

Room 1503
 XinYin Building
 No. 888 YiShan Rd.
 Shanghai 200233
 China

Tel: 86 21 54643211/2

Fax: 86 21 54643210

Pulse South Asia

150 Kampong Ampat
 #07-01/02
 KA Centre
 Singapore 368324

Tel: 65 6287 8998

Fax: 65 6280 0080

Pulse North Asia

No. 26
 Kao Ching Rd.
 Yang Mei Chen
 Taoyuan Hsien
 Taiwan, R. O. C.

Tel: 886 3 4641811

Fax: 886 3 4641911

Performance warranty of products offered on this data sheet is limited to the parameters specified. Data is subject to change without notice. Other brand and product names mentioned herein may be trademarks or registered trademarks of their respective owners.

© Copyright, 2006. Pulse Engineering, Inc. All rights reserved.

www.pulseeng.com

B889.B (10/06)