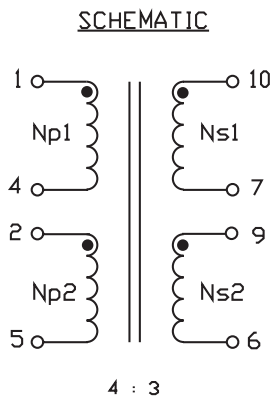


VDSL CO MAGNETICS

S560-6600-LT

ELECTRICAL CHARACTERISTICS (@25°C)



NOMINAL TURNS RATIO:

(1-5) : (10-6) 4 : 3

CONNECT TERMINALS 2 TO 3 & 6 TO 7

DC RESISTANCE:

(1-5) 0.70 Ω MAX

(10-6) 0.50 Ω MAX

CONNECT TERMINALS 4 TO 2 & 7 TO 9

INDUCTANCE @ 10 kHz, 0.1 V_{rms}, 0 AMP DC:

(1-5) 2 mH MIN.

CONNECT TERMINALS 4 TO 2

LEAKAGE INDUCTANCE:

(1-5) 0.70μH MIN - 1.10μH MAX

CONNECT TERMINALS 4 TO 2

SHORT TERMINALS 10, 7, 9 & 6

TOTAL HARMONIC DISTORTION

-80 dB MAX

14.5 dBm, 138kHz - 12MHz, 100Ω LINE AND 56.3Ω LOAD.

MINIMUM DIELECTRIC RATING:

BETWEEN (1-5) & (10-6) 1500 V_{rms}

CONNECT TERMINALS 4 TO 2 & 7 TO 9

LINE WINDINGS (1-4) (2-5) ARE CAPABLE OF HANDLING 300mA DC

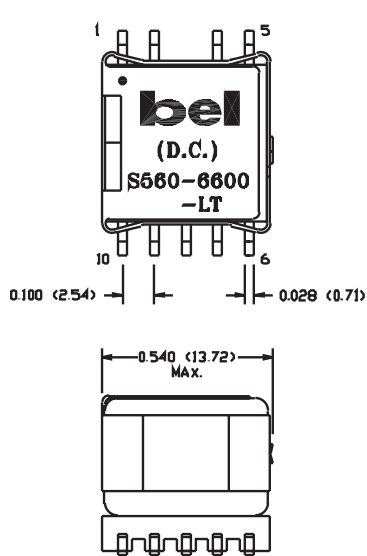
DESIGNED TO COMPLY WITH EN60950 WITH SUPPLEMENTARY INSULATION.

OPERATING TEMPERATURE RANGE:

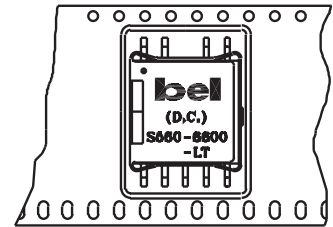
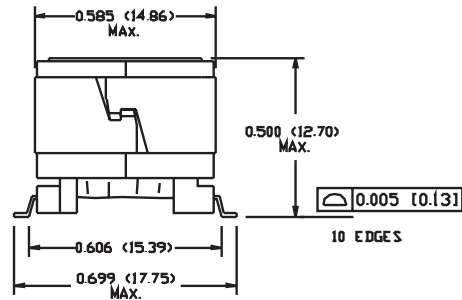
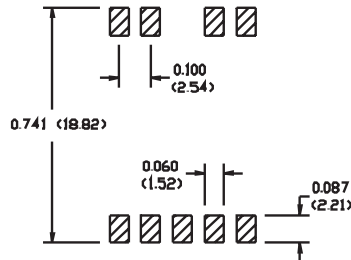
-40°C TO +85°C



VDSL CO MAGNETICS
S560-6600-LT



SUGGESTED PAD LAYOUT



➔ USER FEED DIRECTION

ORIENTATION OF COMPONENT INSIDE POCKET

TAPE WIDTH	32MM
POCKET PITCH	24MM
QUANTITY OF COMPONENTS PER REEL	200
PLASTIC REEL OUTER DIAMETER	13 INCHES
PLASTIC REEL HUB DIAMETER	4 INCHES

©2005 Bel Fuse Inc. Specifications subject to change without notice. 06.05