

Type T High Voltage Paper-Film/Foil Capacitors

Paper-Film/Foil Capacitors for High Voltage Filter Applications



Complies with the EU Directive 2002/95/EC requirement restricting the use of Lead (Pb), Mercury (Hg), Cadmium (Cd), Hexavalent chromium (Cr(VI)), PolyBrominated Biphenyls (PBB) and PolyBrominated Diphenyl Ethers (PBDE).



Type T capacitors are for high voltage filter applications as well as being used for filtering, bypass and blocking in radar amplifiers and power supplies. The Type T is constructed with a rugged inserted tab to foil connection to 10-32 screw terminals surrounded by thermoset plastic bushings for high voltage performance in an oval, hermetically sealed metal case that will give long operating life under harsh conditions.

Highlights

- Hermetically sealed
- High Voltage to 5 kVdc
- High Temperature, 105 °C operation with derating
-

Specifications

| | |
|-------------------------------|--|
| Capacitance Range: | 0.1 μ F to 15.0 μ F |
| Voltage Range: | 600 Vdc to 5000 Vdc |
| Capacitance Tolerance: | \pm 10% |
| Temperature Range: | -55 °C to 105 °C — Full rated voltage to 85 °C. Derate linearly to 50% rated voltage at max temp. |

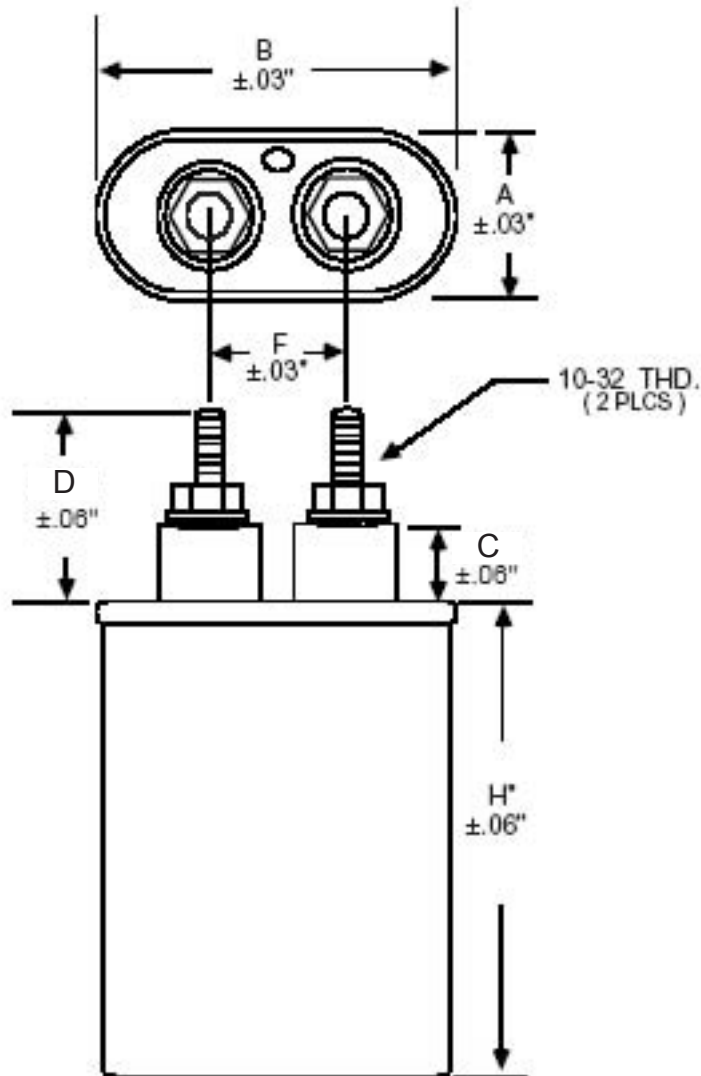
Ratings

| Cap (μ F) | Catalog Part Number | Case Code | H (Inches) |
|-----------------|---------------------|-----------|------------|
| 600 Vdc | | | |
| 0.5 | T6P5NR-F | A | 2.13 |
| 1.0 | T6W1NR-F | A | 2.13 |
| 2.0 | T6W2NR-F | A | 2.13 |
| 3.0 | T6W3NR-F | A | 2.38 |
| 4.0 | T6W4NR-F | A | 2.63 |
| 6.0 | T6W6NR-F | A | 3.88 |
| 8.0 | T6W8NR-F | C | 2.88 |
| 10.0 | T6W10NR-F | C | 3.13 |
| 15.0 | T6W15NR-F | D | 3.50 |
| 1000 Vdc | | | |
| 0.10 | T10P1NR-F | A | 2.13 |
| 0.25 | T10P25NR-F | A | 2.13 |
| 0.50 | T10P5NR-F | A | 2.13 |
| 1.0 | T10W1NR-F | A | 2.13 |
| 2.0 | T10W2NR-F | A | 2.63 |
| 4.0 | T10W4NR-F | A | 4.25 |
| 6.0 | T10W6NR-F | C | 3.50 |
| 8.0 | T10W8NR-F | D | 3.50 |
| 10.0 | T10W10NR-F | D | 3.88 |
| 15.0 | T10W15NR-F | D | 5.25 |
| 1500 Vdc | | | |
| 0.5 | T15P5NR-F | A | 2.13 |
| 1.0 | T15W1NR-F | A | 2.13 |
| 2.0 | T15W2NR-F | A | 3.13 |
| 4.0 | T15W4NR-F | C | 3.13 |
| 6.0 | T15W6NR-F | D | 3.88 |
| 8.0 | T15W8NR-F | D | 4.25 |

| Cap (μ F) | Catalog Part Number | Case Code | H (Inches) |
|-----------------|---------------------|-----------|------------|
| 1500 Vdc | | | |
| 10.0 | T15W10NR-F | D | 4.75 |
| 12.0 | T15W12NR-F | D | 5.25 |
| 15.0 | T15W15NR-F | D | 6.25 |
| 2000 Vdc | | | |
| 0.10 | T20P1NR-F | A | 2.13 |
| 0.25 | T20P25NR-F | A | 2.13 |
| 0.50 | T20P5NR-F | A | 2.13 |
| 1.0 | T20W1NR-F | A | 2.63 |
| 2.0 | T20W2NR-F | C | 2.88 |
| 4.0 | T20W4NR-F | D | 3.50 |
| 5.0 | T20W5NR-F | D | 4.25 |
| 8.0 | T20W8NR-F | D | 5.75 |
| 10.0 | T20W10NR-F | D | 6.75 |
| 15.0 | T20W15NR-F | D | 9.88 |
| 2500 Vdc | | | |
| 1.0 | T25W1NR-F | C | 2.88 |
| 2.0 | T25W2NR-F | C | 3.13 |
| 4.0 | T25W4NR-F | D | 4.25 |
| 3000 Vdc | | | |
| .10 | T30P1NR-F | A | 2.13 |
| .50 | T30P5NR-F | A | 3.13 |
| 1.0 | T30W1NR-F | C | 3.13 |
| 6.0 | T30W6NR-F | D | 8.00 |
| 5000 Vdc | | | |
| .50 | T50P5NR-F | C | 3.50 |
| 1.0 | T50W1NR-F | D | 4.25 |
| 2.0 | T50W2NR-F | D | 7.25 |

Type T High Voltage Paper-Film/Foil Capacitors

Outline Drawing



| Case Code | Dimensions (Inches) | | | | |
|-----------|---------------------|------|------|------|------|
| | A | B | C | D | F |
| A | 1.31 | 2.16 | 0.56 | 1.06 | 0.81 |
| C | 1.91 | 2.91 | 0.50 | 1.00 | 1.38 |
| D | 1.97 | 3.66 | 0.50 | 1.00 | 1.38 |

Mounting Hardware

See page 5.000 for mounting hardware.