



Features

- Integrates capacitor function in one package
- Lead free versions available (see How to Order "Terminations" option)
- RoHS compliant (lead free version)*
- Design reduces termination noise
- Popular standard capacitance values available
- Isolated, bussed and dual-bussed circuits available
- High temperature lead attachment to withstand reflow temperatures up to 260 °C

900 Series - Capacitor Networks

Electrical Characteristics

Capacitance Tolerance
 39 pF - 270 pF.....±10 %
 >270 pF - 0.1 µF.....±20 %
 Circuit Configuration.....Isolated, bussed and dual-bussed
 Capacitor Dielectric.....NPO, X7R
 Capacitance Voltage Rating
 39 pF - 270 pF
NPO - 50V @ +25 °C
 >270 pF - 0.047 µF
X7R - 50V @ +25 °C

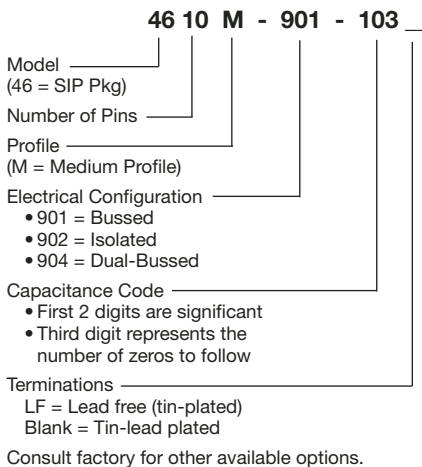
Physical Characteristics

Lead Spacing.....0.100 " (2.54 mm)
 Lead Coating.....tin-lead or tin only (see How to Order)
 Body Material
Epoxy/Anhydride conformal material

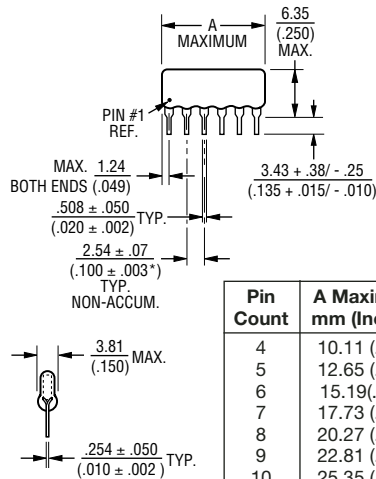
Standard High Volume Part Numbers

- 4610M-901-103
- 4610M-902-103
- 4610M-901-104
- 4610M-902-104

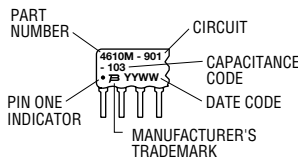
How To Order



Product Dimensions



Typical Part Marking

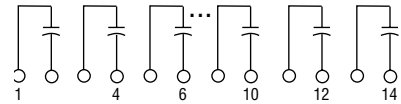


Standard Capacitance Values and Codes

These are the standard and non-standard capacitance values available. Consult factory for capacitance values and types outside this range. Tolerances of 5 %, 10 % and 20 % are available.

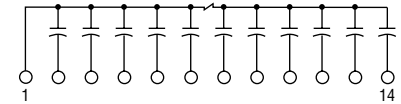
| "NPO" DIELECTRICS 10 % Tolerance | | "X7R" DIELECTRICS 20 % Tolerance | | "X7R" DIELECTRICS 20 % Tolerance | |
|-------------------------------------|------------------|-------------------------------------|------------------|-------------------------------------|------------------|
| Capacitance (pF) | Capacitance Code | Capacitance (pF) | Capacitance Code | Capacitance (µF) | Capacitance Code |
| 39 | 390 | 330 | 331 | 0.01 | 103 |
| 47 | 470 | 390 | 391 | 0.012 | 123 |
| 56 | 560 | 470 | 471 | 0.015 | 153 |
| 68 | 680 | 560 | 561 | 0.018 | 183 |
| 82 | 820 | 680 | 681 | 0.022 | 223 |
| 100 | 101 | 820 | 821 | 0.027 | 273 |
| 120 | 121 | 1000 | 102 | 0.033 | 333 |
| 150 | 151 | 1200 | 122 | 0.039 | 393 |
| 180 | 181 | 1500 | 152 | 0.047 | 473 |
| 220 | 221 | 1800 | 182 | 0.056 | 563 |
| 270 | 271 | 2200 | 222 | 0.068 | 683 |
| | | 2700 | 272 | 0.082 | 823 |
| | | 3300 | 332 | 0.1 | 104 |
| | | 3900 | 392 | | |
| | | 4700 | 472 | | |
| | | 5600 | 562 | | |
| | | 6800 | 682 | | |
| | | 8200 | 822 | | |

Isolated Capacitors (902 Circuit)



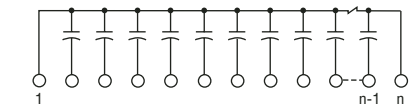
These models incorporate 2 to 7 isolated capacitors of equal value, each connected between two pins.

Bussed Capacitors (901 Circuit)



These models incorporate 3 to 13 capacitors of equal value, each connected between a common bus (Pin 1) and a separate pin.

Dual-Bussed Capacitors (904 Circuit)



These models incorporate 2 to 12 capacitors of equal value, each connected to a dual buss that connects Pin 1 to the last pin.