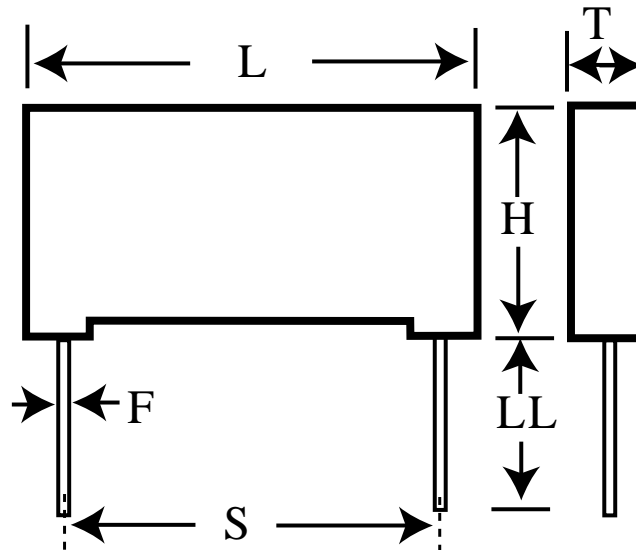


R463N347050M1K

aka 463N347050M1K

Capacitor, film, 0.47 μ F, +/-10% Tol, -40/+110C, Safety: X2, 300VAC,
Lead Spacing=22.5 mm



Dimensions (mm)

ID	Dimension	Tolerance
L	26.5	+0.3
H	17	+0.1
T	8.5	+0.2
S	22.5	+/-0.4
LL	25	+2/-1
F	0.8	+/-0.05

Specifications

Manufacturer:	KEMET
Brand:	Arcotronics
Capacitance:	0.47 μ F
Temperature Range:	-40/+110C
Rated Temperature:	105C
Voltage @ rated temp:	630V
Voltage AC:	300VAC
Tolerance:	+/-10%
Body Type:	Radial Box
Construction:	Non-inductive
Application:	Safety: X2
Dielectric:	Metallized Polypropylene
Dissipation Factor @ 1 kHz:	0.1%
Insulation Resistance:	63.83 GOhm
Maximum dVdT:	200v/us
UL_1414:	250V
UL_1283:	310V
IEC_60384-14:	275V
CSA_384-14:	275V
CQC_GB/T 14472:	275V
Package Kind:	Bulk
Package Type:	Bag
Package Quantity:	300