

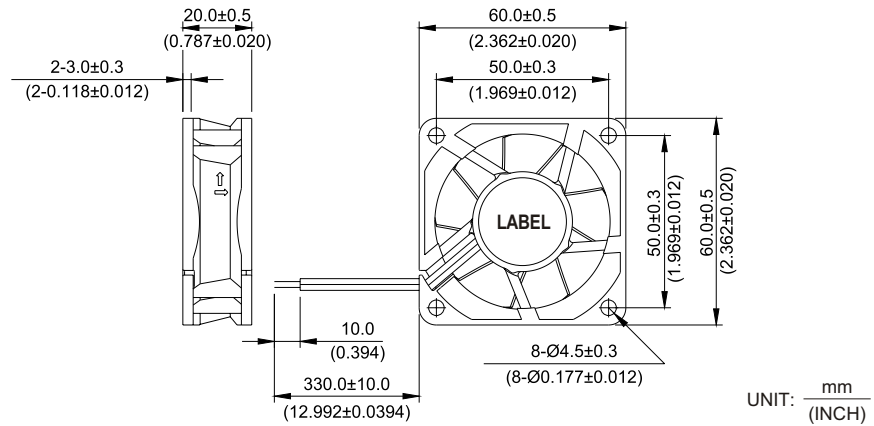
New



- * Bearing Type
Ball Bearings
- * Material
Impeller & Frame: Plastic (UL94V-0)
- * Lead Wires :
UL 1430AWG#28 OR Equivalent
Red Wire Positive (+)
Black Wire Negative (-)
- * Weight : 53g (1.88 oz)

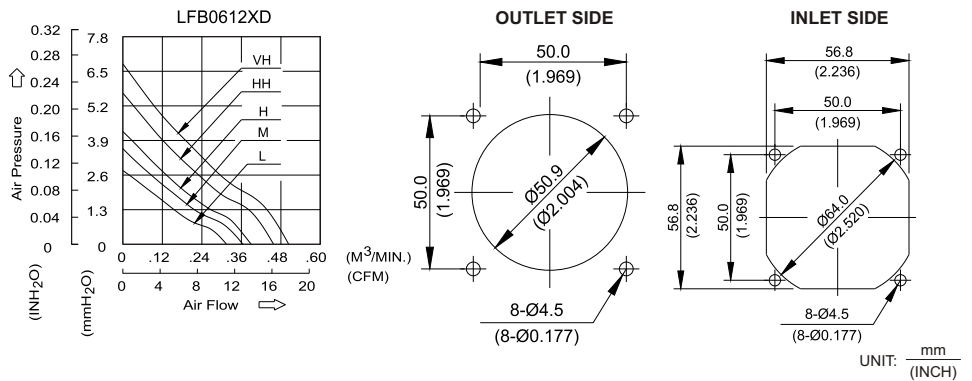
LFB 60 x 60 x 20 MM SERIES

DIMENSIONS DRAWING



P & Q CURVE (AT RATED VOLTAGE)

MOUNTING PANEL CUTOUT



MODEL		Rated Voltage	Operating Voltage Range	Rated Current	Rated Input Power	Speed	Maximum Air Flow		Maximum Air Pressure		Noise
PART NO.	FUNCTION	VDC	VDC	Amp	Watt	R.P.M.	m ³ /min	CFM	mmH ₂ O	IN H ₂ O	dB-A
LFB0612LD	-R00 / -F00	12	7.0 to 13.8	0.05	0.60	3500	0.315	11.13	2.77	0.109	24.0
LFB0612MD	-R00 / -F00	12	7.0 to 13.8	0.07	0.84	4000	0.365	12.89	3.59	0.141	27.5
LFB0612HD	-R00 / -F00	12	7.0 To 13.8	0.09	1.08	4500	0.390	13.77	4.24	0.167	29.5
LFB0612HHD	-R00 / -F00	12	7.0 To 13.8	0.10	1.20	5000	0.458	16.18	5.68	0.224	33.5
LFB0612VHD	-R00 / -F00	12	7.0 To 13.8	0.12	1.44	5500	0.504	17.79	6.78	0.267	36.5

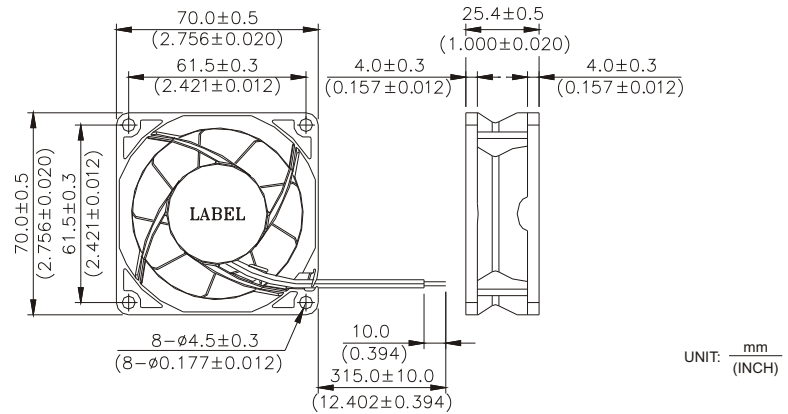
* Function type is optional.
 * The max. air flow and the speed are measured in free air ; max. air pressure is measured at zero air flow.
 * Noise is measured in anechoic chamber in free air, one meter from intake side.
 * All readings are typical values at rated voltage.
 * Specifications are subject to change without notice.

New



LFB 70 x 70 x 25.4 MM SERIES

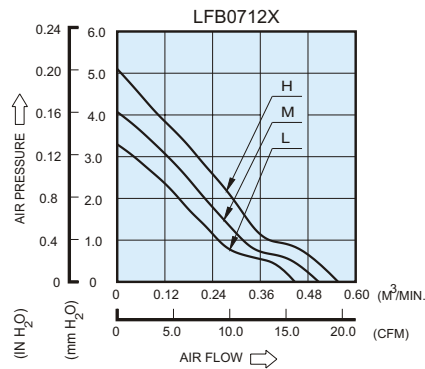
DIMENSIONS DRAWING



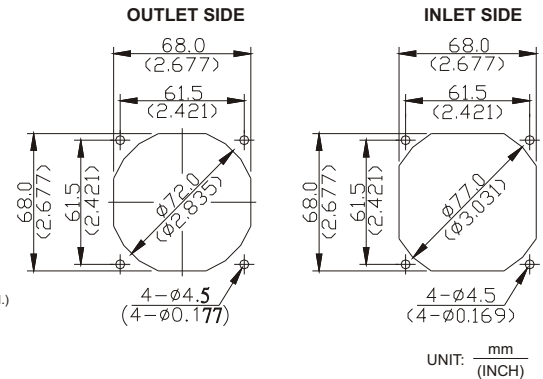
UNIT: mm
(INCH)

- * Bearing Type
Ball Bearings
- * Material
Impeller & Frame : Plastic (UL 94V-0)
- * Lead Wires :
UL 1430 AWG #26 OR Equivalent
Red Wire Positive (+)
Black Wire Negative (-)
- * Weight : 80.0g (2.82 oz)

P & Q CURVE (AT RATED VOLTAGE)



MOUNTING PANEL CUTOUT



UNIT: mm
(INCH)

MODEL		Rated Voltage	Operating Voltage Range	Rated Current	Rated Input Power	Speed	Maximum Air Flow		Maximum Air Pressure		Noise
PART NO.	FUNCTION	VDC	VDC	Amp	Watt	R.P.M.	m ³ /min	CFM	mmH ₂ O	IN H ₂ O	dB-A
LFB0712L	-R00 / -F00	12	7.0 to 13.8	0.09	1.08	3000	0.447	15.79	3.30	0.130	27.4
LFB0712M	-R00 / -F00	12	7.0 to 13.8	0.10	1.20	3400	0.507	17.90	4.07	0.160	30.2
LFB0712H	-R00 / -F00	12	7.0 to 13.8	0.11	1.32	3800	0.556	19.64	5.10	0.201	32.1

* Function type is optional.
 * The max. air flow and the speed are measured in free air ; max. air pressure is measured at zero air flow.
 * Noise is measured in anechoic chamber in free air, one meter from intake side.
 * All readings are typical values at rated voltage.
 * Specifications are subject to change without notice.