



Muffin AC - MU2A4 - 027301
 (Family) (Model) (Part Number)

Electrical Specifications

Rated Voltage: 115 VAC
 AC Frequency: 60 Hz
 Power Supply: 14.0 Watts
 Line Current: 0.16 Amps
 Locked Rotor Current: 0.25 Amps
 Nominal Speed: 3100 RPM

Mechanical Specifications

Dimensions: 4.72in x 1.50in
 Weight: 17.2 oz
 Max Airflow @ 0 in H₂O: 102.0 CFM
 Max Pressure @ 0 CFM: 0.296 in H₂O
 Noise: 45.1 dBA

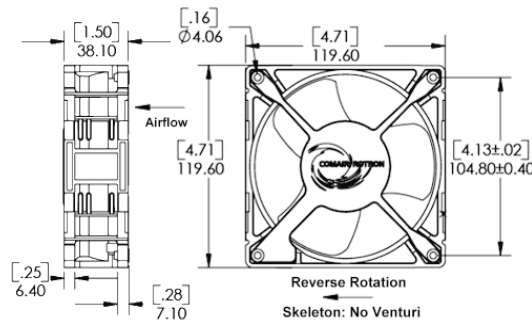


Comair Rotron, Inc. Phone: 858.348.6200 FAX: 858.566.4577 sales@comairrotron.com
 ThermaFlo, Inc. Phone: 972.312.8609 FAX: 972.312.8617 info@thermaflo.com
 Comair Rotron Europe, Ltd. Phone: +44.1527.520525 FAX: +44.1527.520565 sales europe@comairrotron.com
 Comair Rotron Fan Company Ltd. Phone: +86.21.52260581 FAX: +86.21.52260597 salesasia@comairrotron.com

Print Date: Saturday, August 18, 2007 at 23:31:04 - AC Fan Datasheet - Web Version 1.0 Rev. A



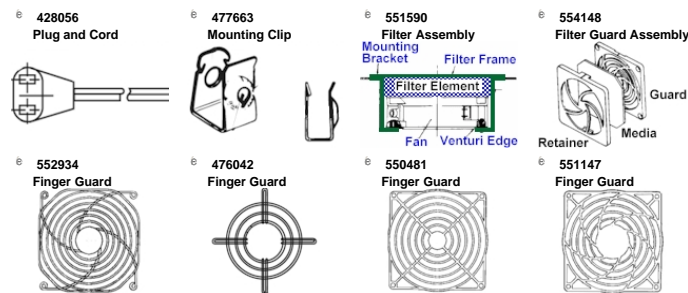
Mechanical Drawing



Options

Part Number	Model Number	Bearing Type	Fan Rotation	Termination	In-Stock <small>(Click 'Yes' for current stock)</small>
028027	MU2B1	Ball	Normal	Terminals	Yes
028028	MU2B2	Ball	Normal	Terminals, No Venturi	No
039666	MU2B4	Ball	Reverse	Terminals, No Venturi	No
028021	MU2A1	Sleeve	Normal	Terminals	Yes
028022	MU2A2	Sleeve	Normal	Terminals, No Venturi	No
027300	MU2A3	Sleeve	Reverse	Terminals	No
027301	MU2A4	Sleeve	Reverse	Terminals, No Venturi	No

Accessories (Click on part number for detailed drawing.)



Comair Rotron, Inc. Phone: 858.348.6200 FAX: 858.566.4577 sales@comairrotron.com
 ThermaFlo, Inc. Phone: 972.312.8609 FAX: 972.312.8617 info@thermaflo.com
 Comair Rotron Europe, Ltd. Phone: +44.1527.520525 FAX: +44.1527.520565 sales europe@comairrotron.com
 Comair Rotron Fan Company Ltd. Phone: +86.21.52260581 FAX: +86.21.52260597 salesasia@comairrotron.com

Print Date: Saturday, August 18, 2007 at 23:31:04 - AC Fan Datasheet - Web Version 1.0 Rev. A