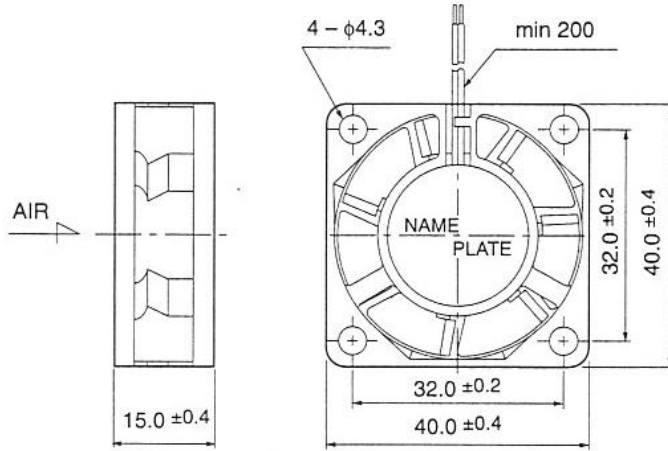




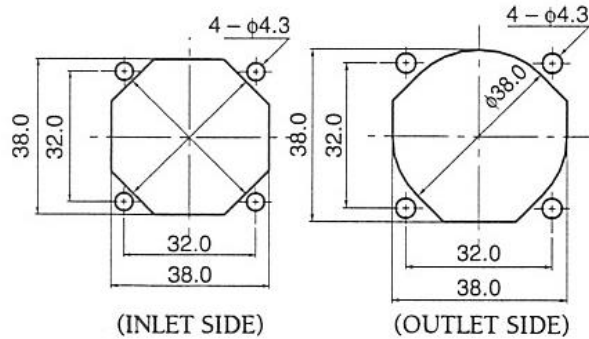
[1606KL]

Brushless DC Axial Fan Motor

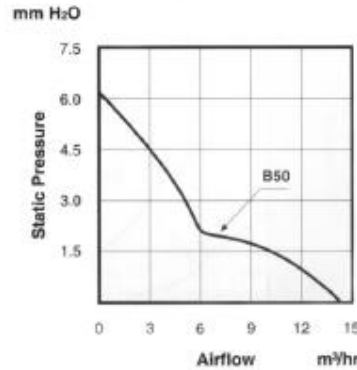
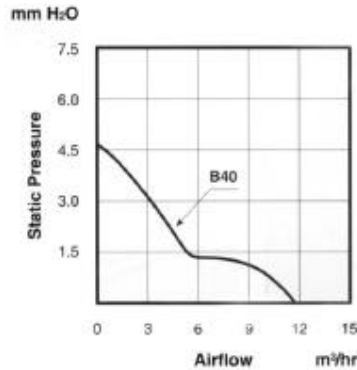
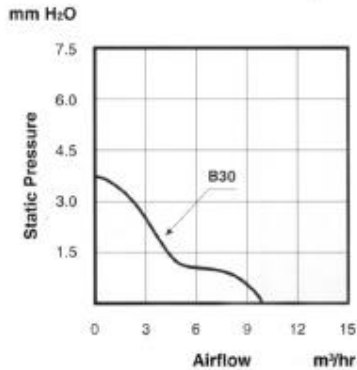


Features

- Size: 40mm sq x 15mm
- Airflow: 10 – 14 m³/hr
- Noise: 28 – 34 dBA
- Weight: 20 g
- Lead Wires: AWG 26, Red/Black UL1061
- Impeller and Venturi: UL94V-0 Reinforced plastic



Model	Voltage (V)	Range (V)	Power (W)	Current (mA)	Speed (RPM)	Noise (dBA)	Pressure (mm H ₂ O)	Airflow	
								m ³ /hr	(CFM)
1606KL-04W-B30-L00	12	10,2-13,8	1,08	90	6000	28,0	3,80	10	6
B40-L00	12	10,2-13,8	1,20	100	7000	31,0	4,80	12	7
B50-L00	12	10,2-13,8	1,32	110	8000	34,0	6,40	14	8
1606KL-05W-B30-L00	24	22-25,2	1,44	60	6000	28,0	3,80	10	6
B40-L00	24	22-25,2	1,68	70	7000	31,0	4,80	12	7
B50-L00	24	22-25,2	1,92	80	8000	34,0	6,40	14	8



The information contained in this data sheet represents typical performance of the product, and is subject to change without notice. Product performance may be varied or enhanced to meet individual requirements. For further information please contact your local sales office



NMB (U.K.) Ltd.
NMB Minebea GmbH,
NMB Minebea Sarl,
NMB Italy Srl,
NMB Technologies Inc.,
Minebea Technologies Pte. Ltd.

1, Sterling Centre, Eastern Road, Bracknell, Berkshire RG12 2PW, England Tel (44) 1344 42 6611 Fax (44) 1344 48 5522
 Siemenstrasse 30, 63225 Langen, Germany Tel (49) 6103-913-0 Fax (49) 6103-913-220
 5 Av. Des Bosquets, 9550 Baillet en France, France Tel (33)1-34083939 Fax (33)1-34083930
 Via A Grandi 39/41, 20017 Mazzo di Rho, Milan Italy Tel (39) 2-939711 Fax (39) 2-93901154
 9730 Independence Avenue. Chatsworth, California USA Tel: (818) 341 3355 Fax: (818) 341 8207
 PSA Building, 460 Alexandra Road, #34-02, Singapore 119963 Tel (65) 278 8522 Fax (65) 444 6527

Brushless DC Axial Fan Motor

[1606KL]