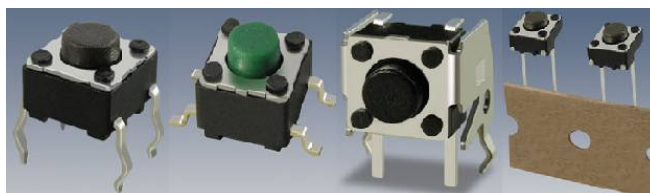


Model SWT6
 Tactile Switches 6X6 mm
 500K Actuations
 RoHS Compliant



New Product

MODELS AVAILABLE

Side Actuation	SWT6-R
Top Actuation	SWT6-V
Top Actuation with Ground	SWT6-E
SMD Top Actuation	SWT6-M

ELECTRICAL

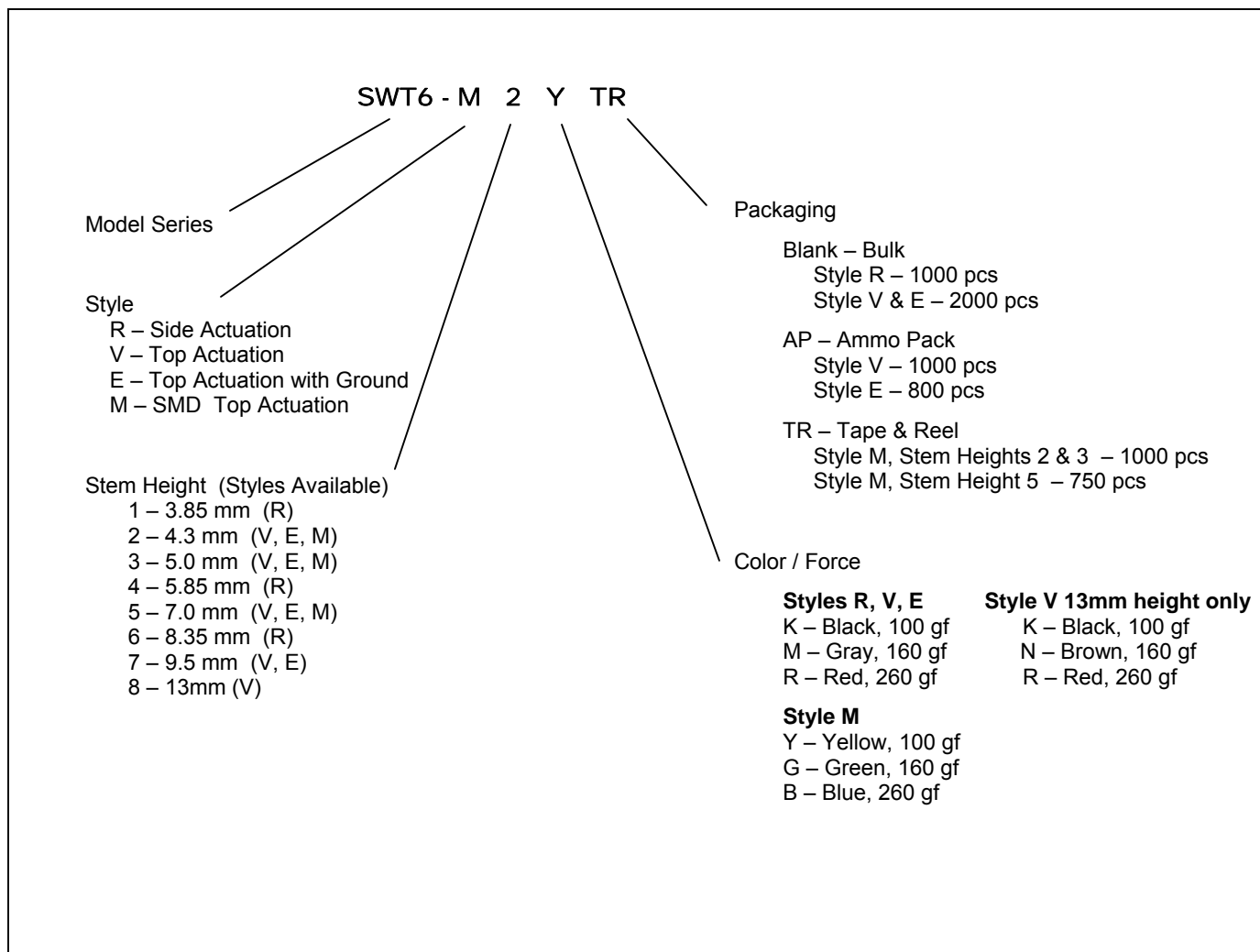
Contact Resistance	100 mΩ
Current Rating	DC 12V, 50 mA
Insulation Resistance	100 MΩ min
Dielectric Strength	AC 250V

ENVIRONMENTAL

Life, Mechanical	500K Actuations
Operating Temperature Range	-20°C – 70°C.
Storage Temperature	-30°C – 80°C
Shock	Mil-STD-202F, Method 213B Condition A
Vibration	Mil-STD-202F, Method 201A
Operating Force Range (refer to definition table below))	100 gf – 260 gf

Model SWT6

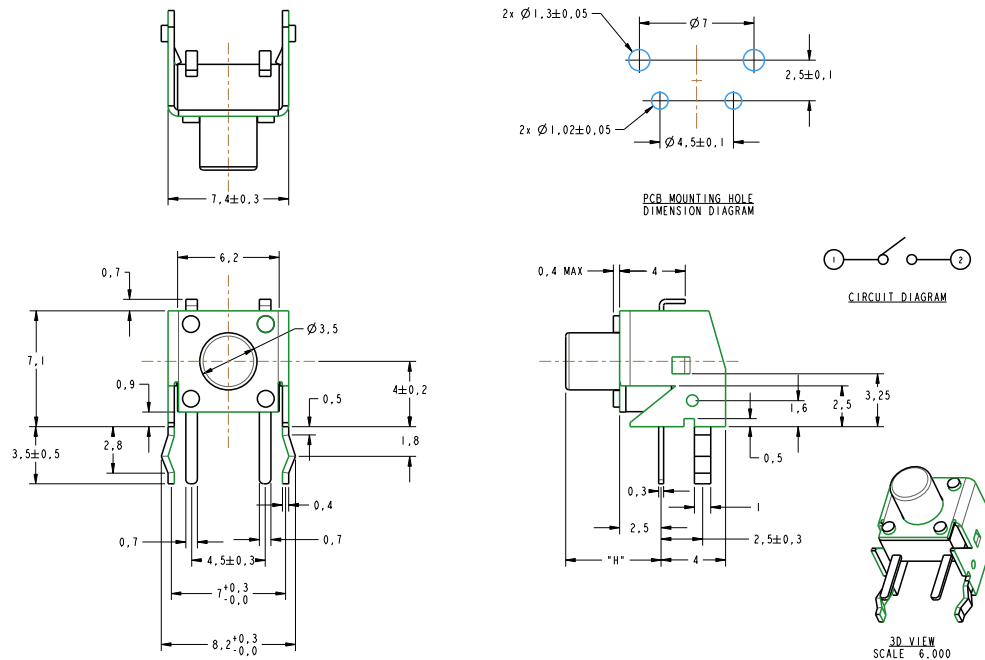
ORDERING INFORMATION



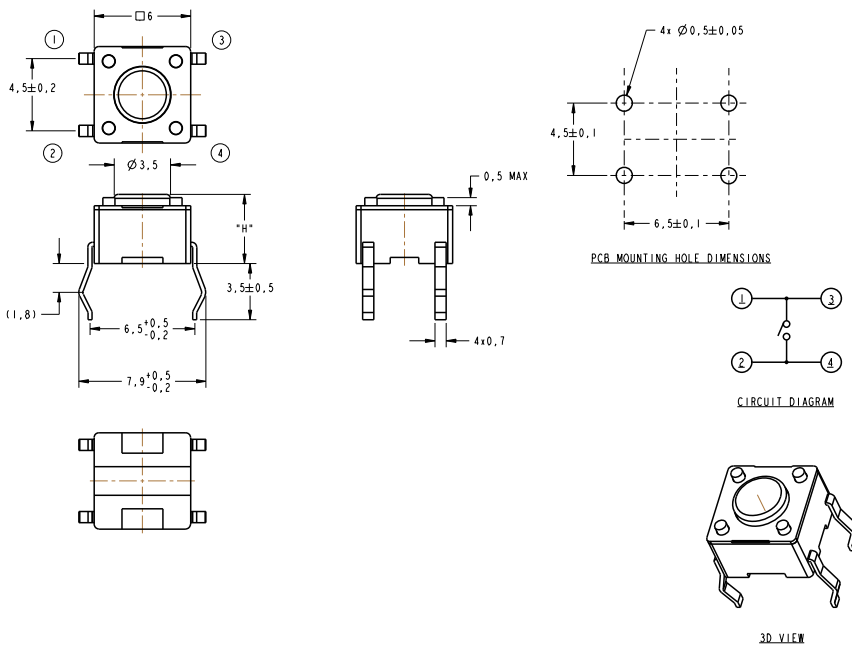
Model SWT6

OUTLINE DRAWINGS

SWT6-R (Side Actuation)

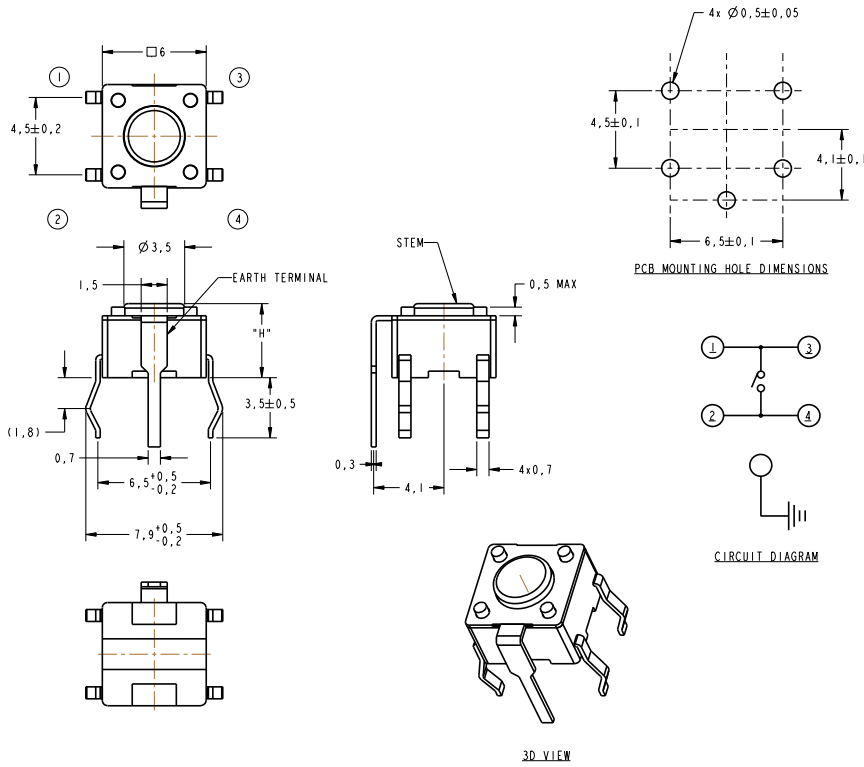


SWT6-V (Top Actuation)

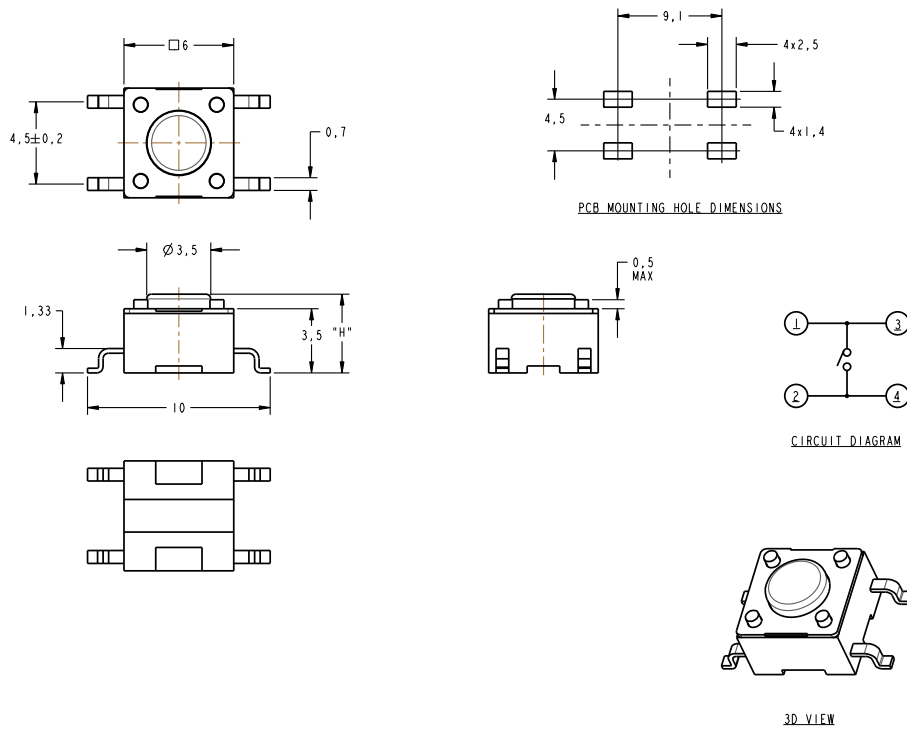


Model SWT6

SWT6-E (Top Actuation with Ground)

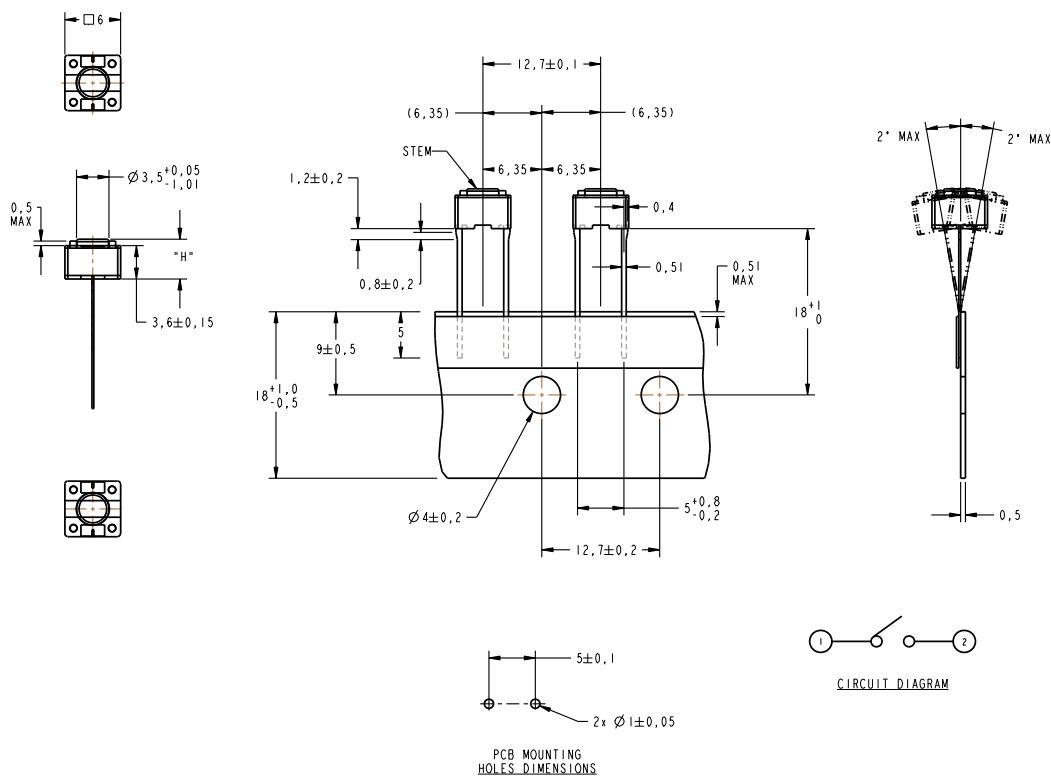


SWT6-M (SMD, Top Actuation)



Model SWT6

SWT6-VXXAP (Top Actuation, Ammo Pack)



SWT6-EXXAP (Top Actuation with Ground, Ammo Pack)

