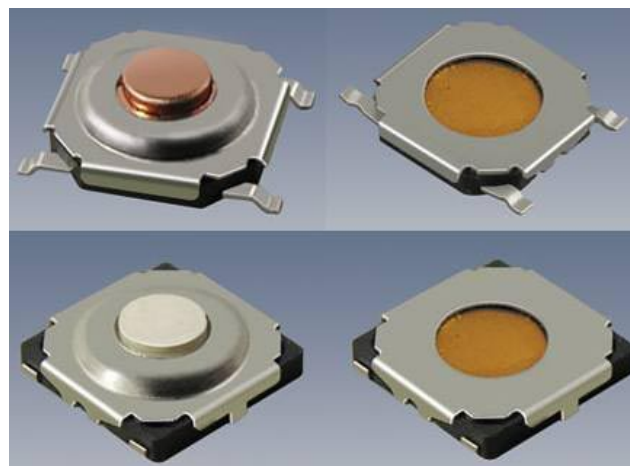


Model SWT5
Tactile Switches, 5.1 X 5.1 mm
RoHS Compliant
Low Profile
Light Weight
SMD

New Product



MODELS AVAILABLE

Top Actuation – G Pin	SWT5-G
Top Actuation - J Pin	SWT5-J

ELECTRICAL

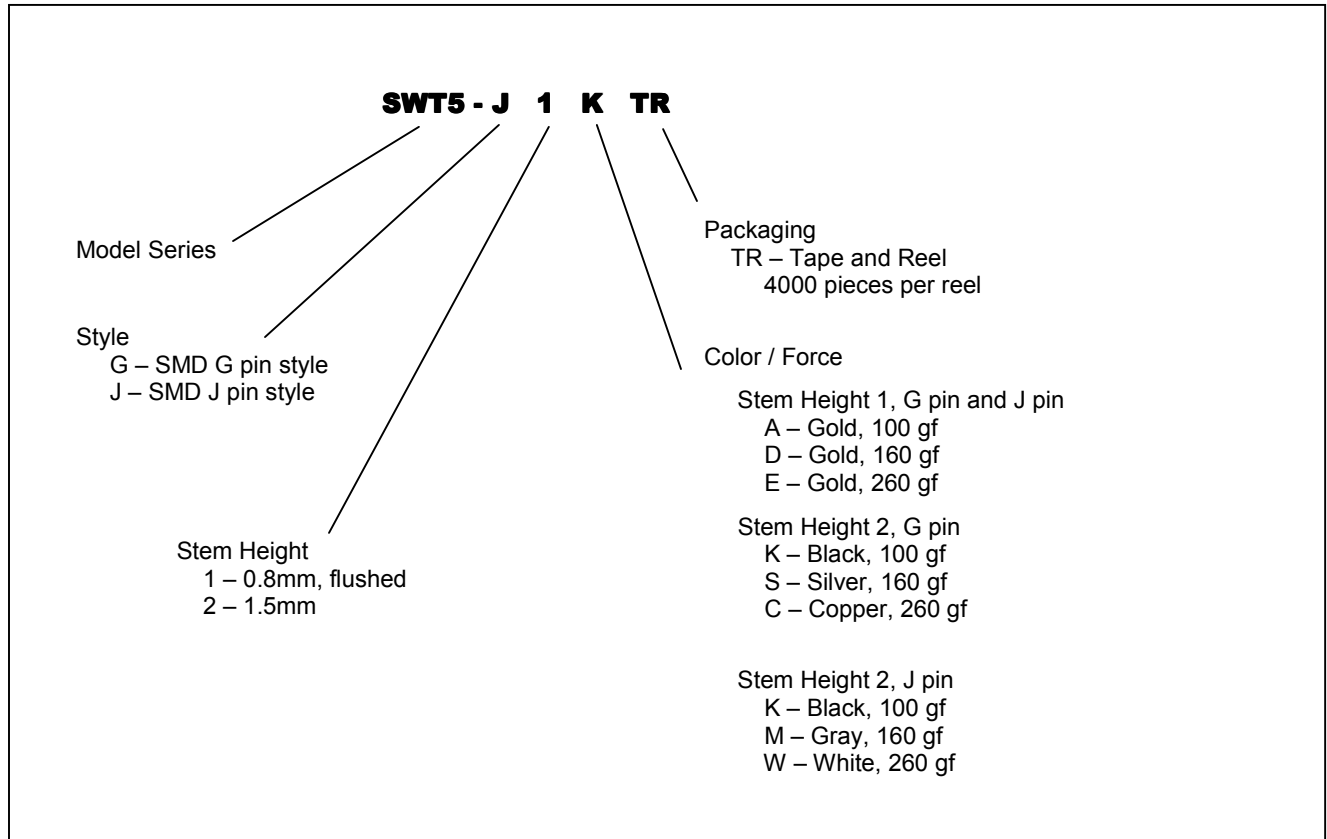
Contact Resistance	100 mΩ
Insulation Resistance	100 MΩ min
Dielectric Strength	AC 250V
Rating	DC 12V, 50 mA
Contact Arrangement	Single throw single pole

ENVIRONMENTAL

Life Mechanical	Stem height = 1.5 mm – 100K Cycles Stem height = 0.8 mm – 50K Cycles
Operating Force Range (refer to operating force table)	100 g – 260 g
Operating Temperature Range	-20°C – 70°C
Storage Temperature Range	-30°C – 80°C
Stop Strength	Vertical Static Load of 3Kgf
Vibration	Mil-STD-202F, Method 201A
Shock	Mil-STD-202F, Method 213B Condition A
Soldering	Recommendations available upon request

Model SWT5

ORDERING INFORMATION¹



**Contact our customer service for custom designs and features.*

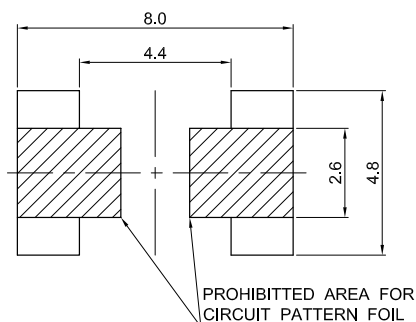
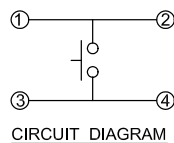
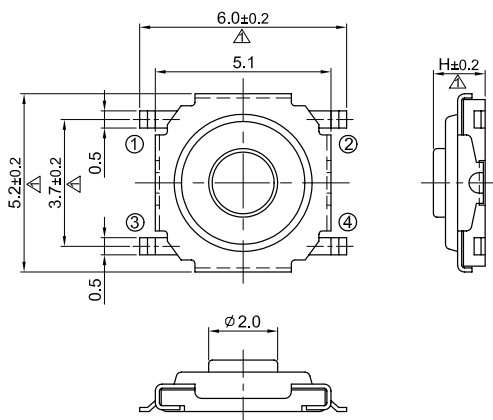
BI Technologies Corporation
4200 Bonita Place, Fullerton, CA 92835 USA
Phone: 714 447 2345 Website: www.bitechnologies.com



Model SWT5

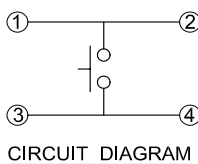
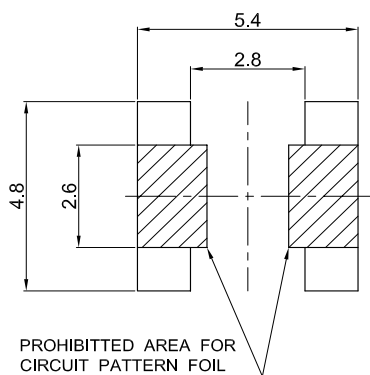
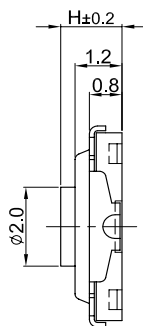
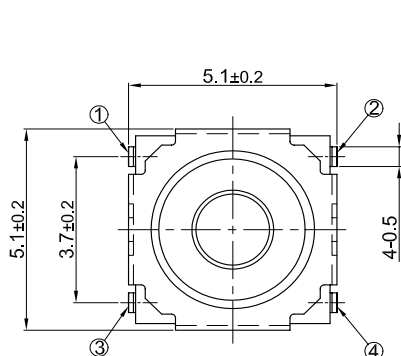
OUTLINE DRAWINGS

SWT5-G (Top Actuation)



PRINTED CIRCUIT BOARD LAND DIMENSIONS
(WHEN VIEWED FROM SWITCH MOUNTING SURFACE)

SWT5-J (Top Actuation)



PRINTED CIRCUIT BOARD LAND DIMENSIONS
(WHEN VIEWED FROM SWITCH MOUNTING SURFACE)

Model SWT5

PACKAGING

