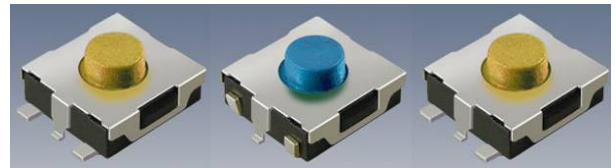


**Model SWT7**  
**Tactile Switches, 6.2 X 6.3 mm**  
**Low Profile, SMD**  
**RoHS Compliant**



*New Product*

**MODELS AVAILABLE**

Top Actuation – G Pin	SWT7-G
Top Actuation - G Pin w/ Ground	SWT7-X
Top Actuation - J Pin	SWT7-J
Top Actuation - J Pin w/ Ground	SWT7-Z

**ELECTRICAL**

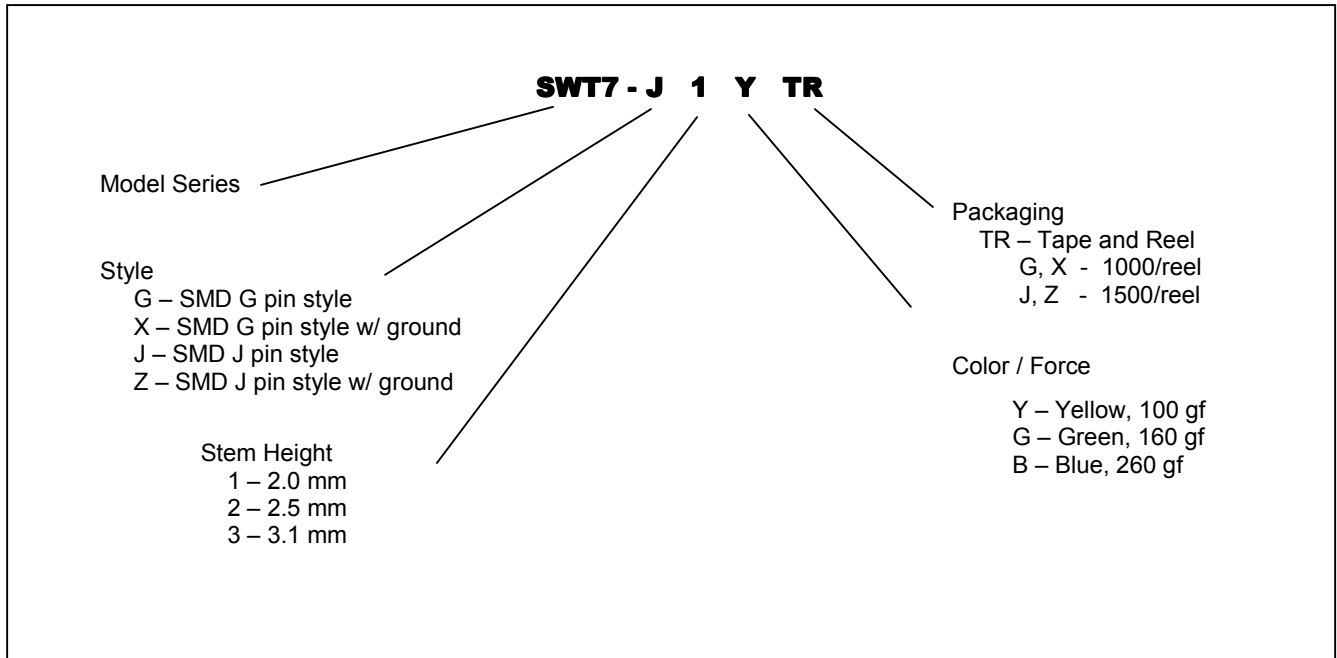
Contact Resistance	100 mΩ
Insulation Resistance	100 MΩ min
Dielectric Strength	AC 250V
Rating	DC 12V, 50 mA
Contact Arrangement	Single throw single pole

**ENVIRONMENTAL**

Life Mechanical	100K Cycles
Operating Force Range (refer to operating force table)	100 gf – 260 gf
Operating Temperature Range	-20°C – 70°C
Storage Temperature Range	-30°C – 80°C
Stop Strength	Vertical Static Load of 3Kgf
Vibration	Mil-STD-202F, Method 201A
Shock	Mil-STD-202F, Method 213B Condition A
Soldering	Recommendations available upon request

# Model SWT7

## ORDERING INFORMATION<sup>1</sup>



*\*Contact our customer service for custom designs and features.*

**BI Technologies Corporation**  
4200 Bonita Place, Fullerton, CA 92835 USA  
Phone: 714 447 2345 Website: [www.bitechnologies.com](http://www.bitechnologies.com)

October 10, 2006

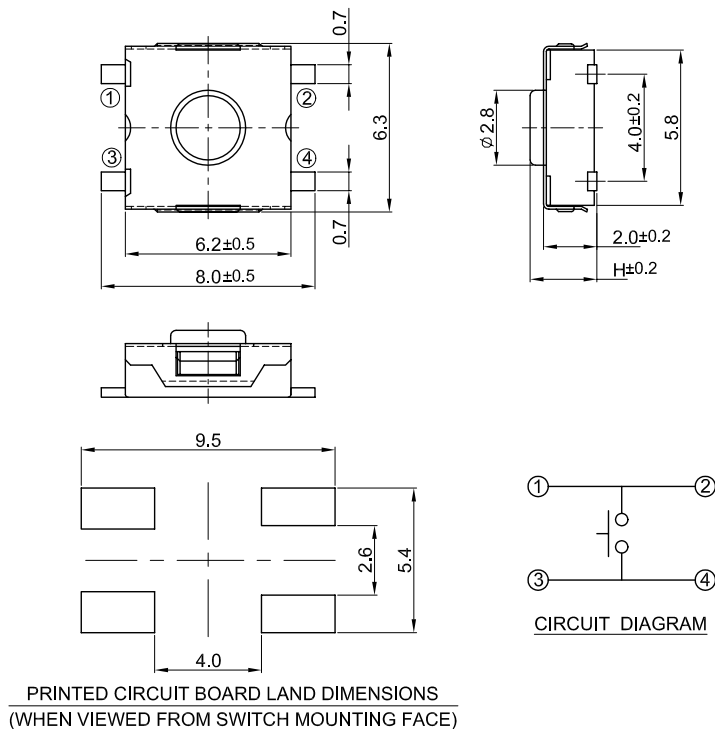
page 2 of 5



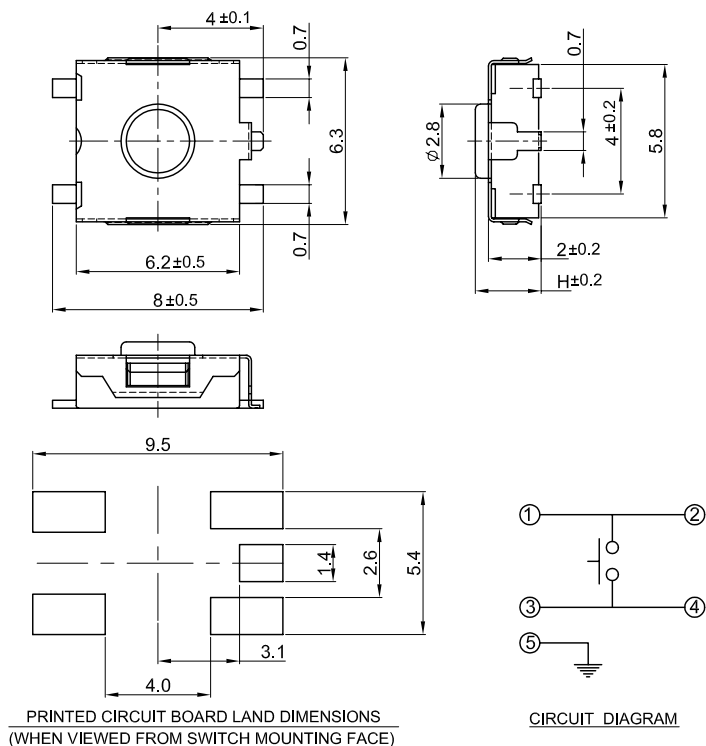
# Model SWT7

## OUTLINE DRAWINGS

### SWT7-G Top Actuation

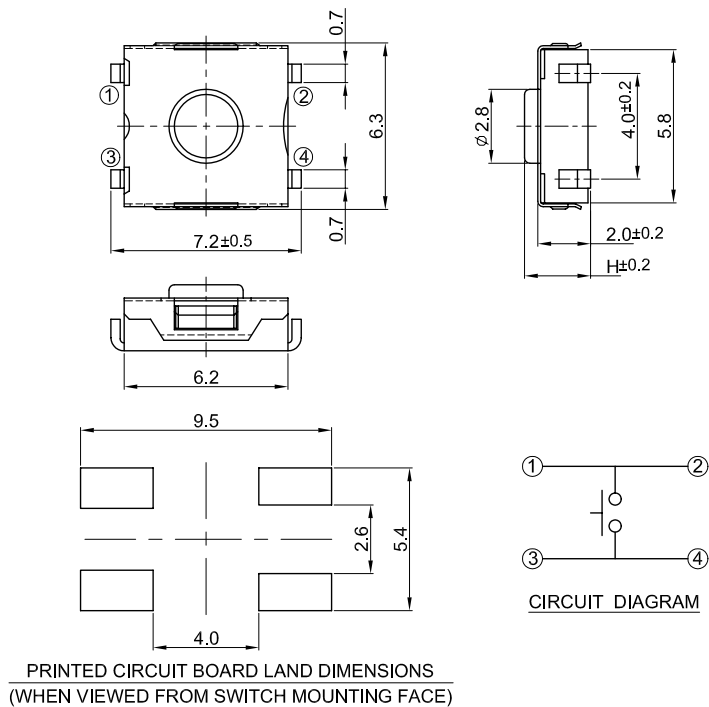


### SWT7- X Top Actuation with Ground

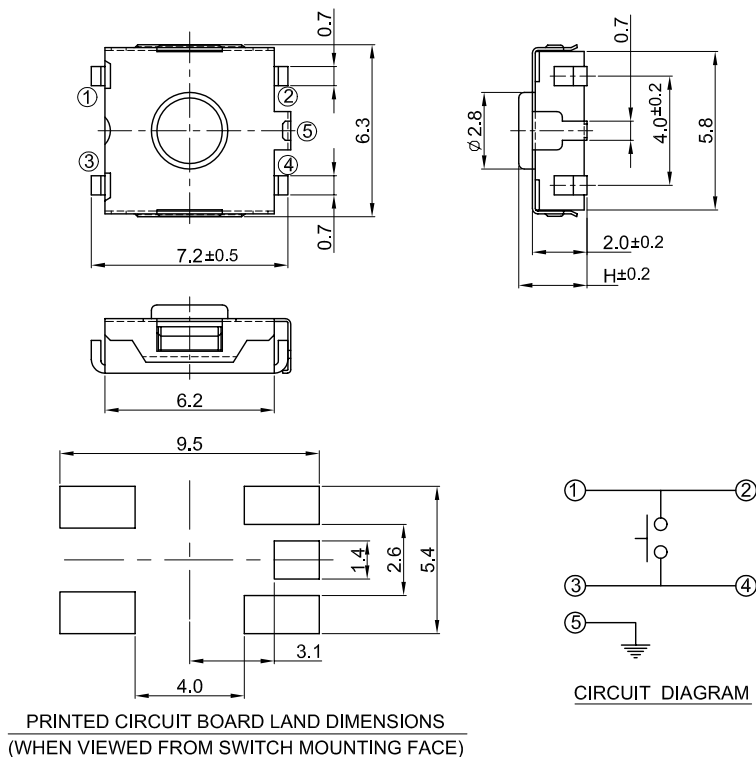


# Model SWT7

SWT7-J Top Actuation



## SWT7-Z Top Actuation with ground



# Model SWT7

## PACKAGING

