



Features

- Available sharp click feel with a positive tactile feedback
- Ultra-miniature and lightweight structure suitable for high density mounting
- Very economical with high reliability
- RoHS compliant*



The SDTM Series is currently available, although not recommended for new designs.

- Insert molding in the contact with special treatment prevents flux buildup during soldering and permits autodipping

SDTM Series SMD Tact Switch

Electrical Characteristics

Electrical Life

.....50,000 cycles min. for 260 g
 500,000 cycles min. for 100 g, 160 g
 RatingDC 12 V, 50 mA
 Contact Resistance100 mohms max.
 Insulation Resistance ..100 Mohms min.,
 DC 500 V min.

Dielectric Strength

.....AC 250 V for 1 minute
 Contact Arrangement...1 pole 1 position

Environmental Characteristics

Operation Force100 g, 160 g, 260 g
 Tolerance±50 g
 Stop Strength ..Place the switch vertical,
 a static load of 3 kg shall be
 applied in the direction of actuator
 operation for a period of 15 seconds
 Stroke0.25 mm (+0.2 mm, -0.1 mm)
 Temperature Range.....-25 °C to +70 °C
 Vibration TestMIL-STD-202F,
 Method 201A
 Frequency10-50-10Hz/1minute
 Directions.....X,Y,Z 3 mutually per
 pendicular directions
 Time.....2 hours each direction,
 high reliability
 Shock TestMIL-STD-202F,
 Method 213A, Condition A
 Gravity50 g (peak value), 11 msec.
 Directions/Time6 sides and 3 times
 in each direction

Physical Characteristics

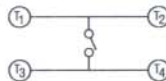
Cover MaterialsSteel, tin plated
 Base MaterialsThermoplastic Nylon
 FG 101, UL94V-0
 Actuator MaterialsThermoplastic
 Nylon UL94V-0
 ColorBlack, brown, red
 Contact Disc. MaterialsPhosphor
 bronze with silver cladding
 Terminal MaterialsBrass with silver
 cladding

How To Order

SDT M - 6 10 - K TR

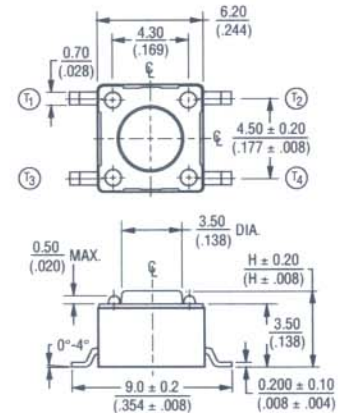
Model _____
 Product Code _____
 M = SMD
 Size _____
 6 = 6 mm
 Height _____
 10 = 4.3 mm
 20 = 5.0 mm
 30 = 7.0 mm
 44 = 7.3 mm (square head)
 48 = 7.3 mm (square head)
 50 = 9.5 mm
 60 = 13 mm
 Actuating Force _____
 K = 100 g (black head)
 N = 160 g (brown head)
 R = 260 g (red head)
 S = 320 g (salmon head)
 Y = 520 g (yellow head)
 Packaging Option _____
 TR = Embossed tape*
 610 = 1000 pcs.
 620 = 900 pcs.
 630 = 700 pcs.
 644, 648 = 500 pcs.
 650 = 380 pcs.
 _____ = Tube
 All models = 77 pcs.
 *not applicable to Model 660.

CIRCUIT DIAGRAM

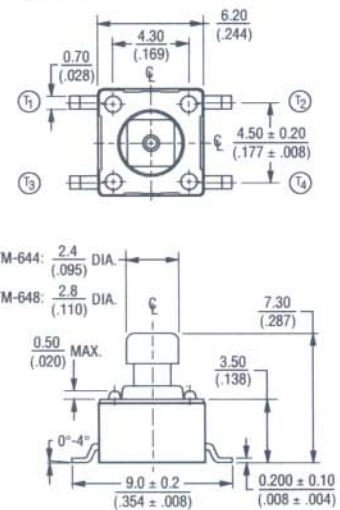


Product Dimensions

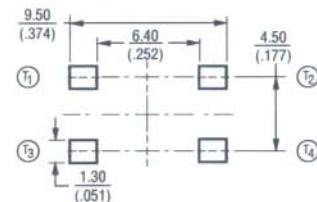
SDTM-610/620/630/650/660



SDTM-644/648



RECOMMENDED PCB LAYOUT



DIMENSIONS: $\frac{\text{MM}}{\text{IN}}$

TOLERANCES: $\frac{0.2}{.008}$ EXCEPT WHERE NOTED.



*RoHS Directive 2002/95/EC Jan 27 2003 including Annex.
 Specifications are subject to change without notice.
 Customers should verify actual device performance in their specific applications.

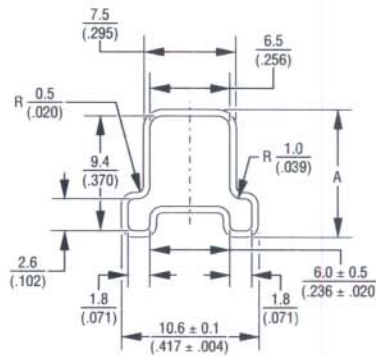
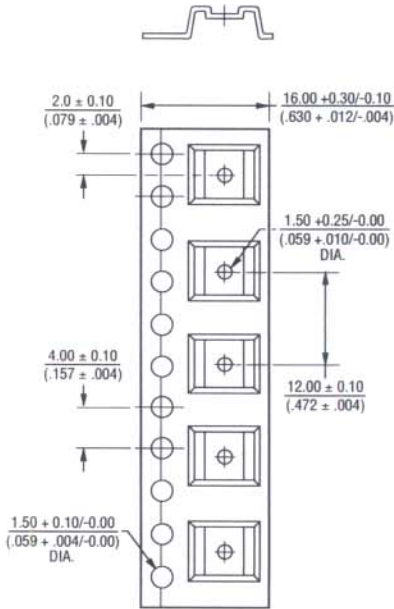
SDTM Series SMD Tact Switch

BOURNS®

Packaging Specifications

SDTM-610/620/630/644/648/650(TR)

SDTM-610/620/630/644/648/650/660(TUBE)

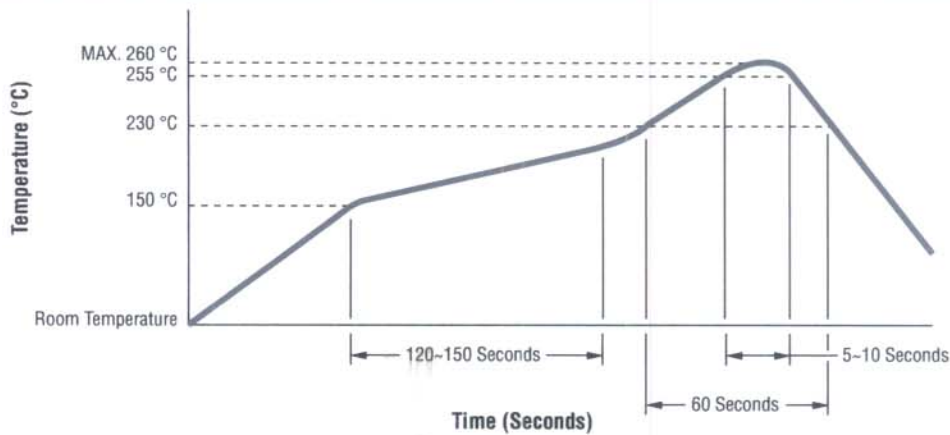


MODEL NO.	DIM. A
SDTM-630, 644, 648	$\frac{10.40}{(.409)}$
SDTM-650, 660	$\frac{15.9 \pm 0.1}{(.626 \pm .004)}$
SDTM-610, 620	$\frac{5.5}{(.217)}$

DIMENSIONS: $\frac{MM}{(IN)}$
 TOLERANCES: $\frac{0.2}{(.008)}$ EXCEPT WHERE NOTED.

OBSOLETE

Reflow Soldering Profile



REV. 08/06

Specifications are subject to change without notice.
 Customers should verify actual device performance in their specific applications.