

MICRO SWITCH

FREEMONT ILLINOIS, U.S.A
A DIVISION OF HONEYWELL
FED. MFG. CODE 91929

SWITCH - ACTUATOR

CATALOG LISTING
JX-219

JX-219

M

DRAWING NUMBER

X

ISSUE 3

REPLACES

RELEASE NO. PR-1980

CHECK

71 JUL 29 1971

JWH

CHECK

71 JUL 29 1971

LSD

CHECK

71 JUL 28 1971

DRWN

50378-1A

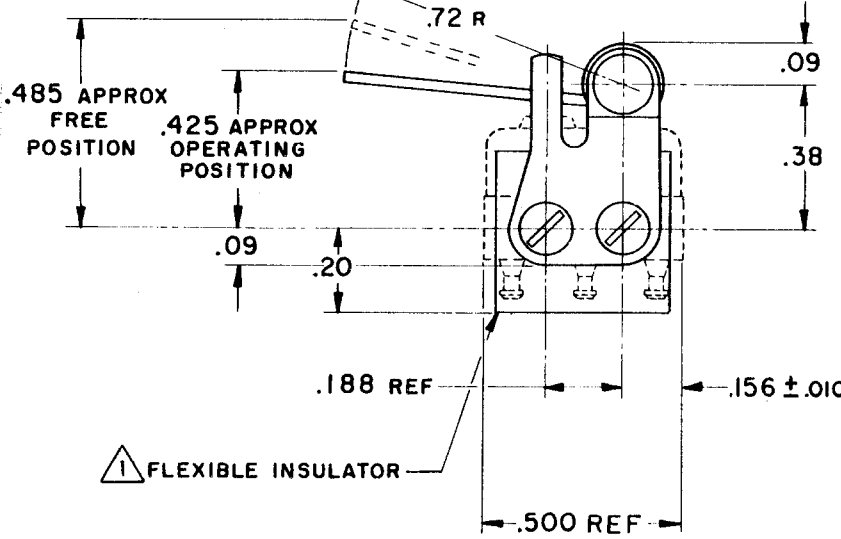
(2) 2-56 NC CORROSION RESISTANT STEEL HEX NUT

CORROSION RESISTANT STEEL LOCKWASHER (2)

(2) 2-56 NC X .438 REF CORROSION RESISTANT STEEL HEAD MACHINE SCREW

CORROSION RESISTANT STEEL ACTUATOR AND BRACKET (TYPE 302)

FREE POSITION ADJUSTMENT TAB



FLEXIBLE INSULATOR

NOTE -

- 1 - FURNISHED UNASSEMBLED.
- 2 - ACTUATOR WILL WITHSTAND TEMPERATURE OF 400°F

THIS DRAWING COVERS A PROPRIETARY ITEM AND IS THE PROPERTY OF MICRO SWITCH, A DIVISION OF HONEYWELL. THIS DRAWING IS NOT TO BE COPIED OR USED WITHOUT THE APPROVAL OF MICRO SWITCH.

CHARACTERISTICS WITH 4SX1-T BASIC SWITCH INSTALLED
OPERATING FORCE----- 1 OZ APPROX
RELEASE FORCE ----- 4 GRAMS MIN
DIFFERENTIAL TRAVEL----- .030 APPROX
OVERTRAVEL----- .030 APPROX

ELECTRICAL DATA
CONTACT ARRANGEMENT

SCALE 2 TO 1
DO NOT SCALE PRINT
UNLESS OTHERWISE NOTED
DIMENSIONS ARE IN INCHES
TOLERANCES ARE:
ONE PLACE (.0) ±.030
TWO PLACE (.00) ±.015
THREE PLACE (.000) ±.005
ANGLES ±
WEIGHT