

BZ - 2R - P5
 PAGE 1 OF 1

M

DRAWING NUMBER

ISSUE **8**

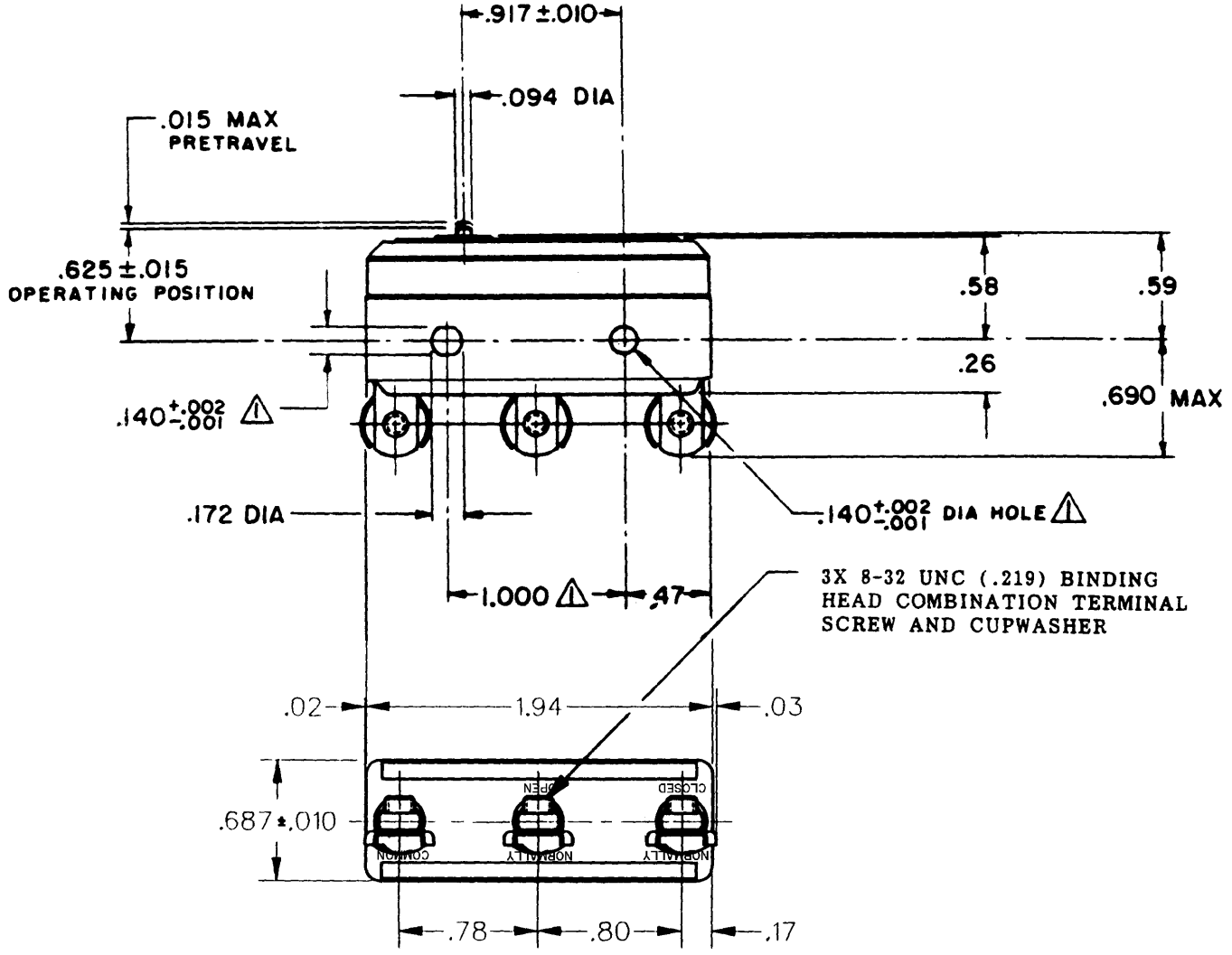
REPLACES

RELEASE NO.

CHECK

REVISIONS

A	CO16851	6 CH	4 MARCH 83
B	CO 37037	6 LH	7 JULY 78
C	CO 73287-G	JAL	20 OCT 93
D	CO-75367B	KDR	3 MAR 94
E	CO-77863	GJW	2 MAY 96
F	CO93346	DLT	1 SEP 98



3X 8-32 UNC (.219) BINDING HEAD COMBINATION TERMINAL SCREW AND CUPWASHER

NOTE
 ▲ - MOUNTING HOLES WILL ACCEPT PINS OR SCREWS OF .139 MAX DIA ON 1.000 ± .002 CENTERS

THIS DRAWING COVERS A PROPRIETARY ITEM AND IS THE PROPERTY OF MICRO SWITCH, A DIVISION OF MINNEAPOLIS-HONEYWELL REGULATOR CO. THIS DRAWING IS NOT TO BE COPIED OR USED WITHOUT THE APPROVAL OF MICRO SWITCH.

FORMTEK
 FO-50378

DRAWN

CHECK

DATE

CHARACTERISTICS	
OPERATING FORCE	9 - 13 OZ
RELEASE FORCE	4 OZ MIN
DIFFERENTIAL TRAVEL	.0004 - .0020
OVERTRAVEL	.005 MIN

ELECTRICAL DATA	
CONTACT ARRANGEMENT	S P D T
UL LISTED - FILE E12252	15A - 125, 250 OR 480 VAC, 2A - 600 VAC
CODE L74	1/8HP - 125 VAC; 1/4HP - 250 VAC
L288	1/2A - 125 VDC; 1/4A - 250 VDC
L299	
L306	
16A 250V ~ T85 5E4	

SCALE FULL		
DO NOT SCALE PRINT		
UNLESS OTHERWISE SPECIFIED DIMENSIONS ARE IN INCHES		
TOLERANCES ARE:		
ONE PLACE	(.0)	±.030
TWO PLACE	(.00)	±.015
THREE PLACE	(.000)	±.005
ANGLES		±
WEIGHT .075 LB		