

MICRO SWITCH

FREERPORT ILLINOIS, U.S.A.
A DIVISION OF HONEYWELL
FED. MFG. CODE 91929

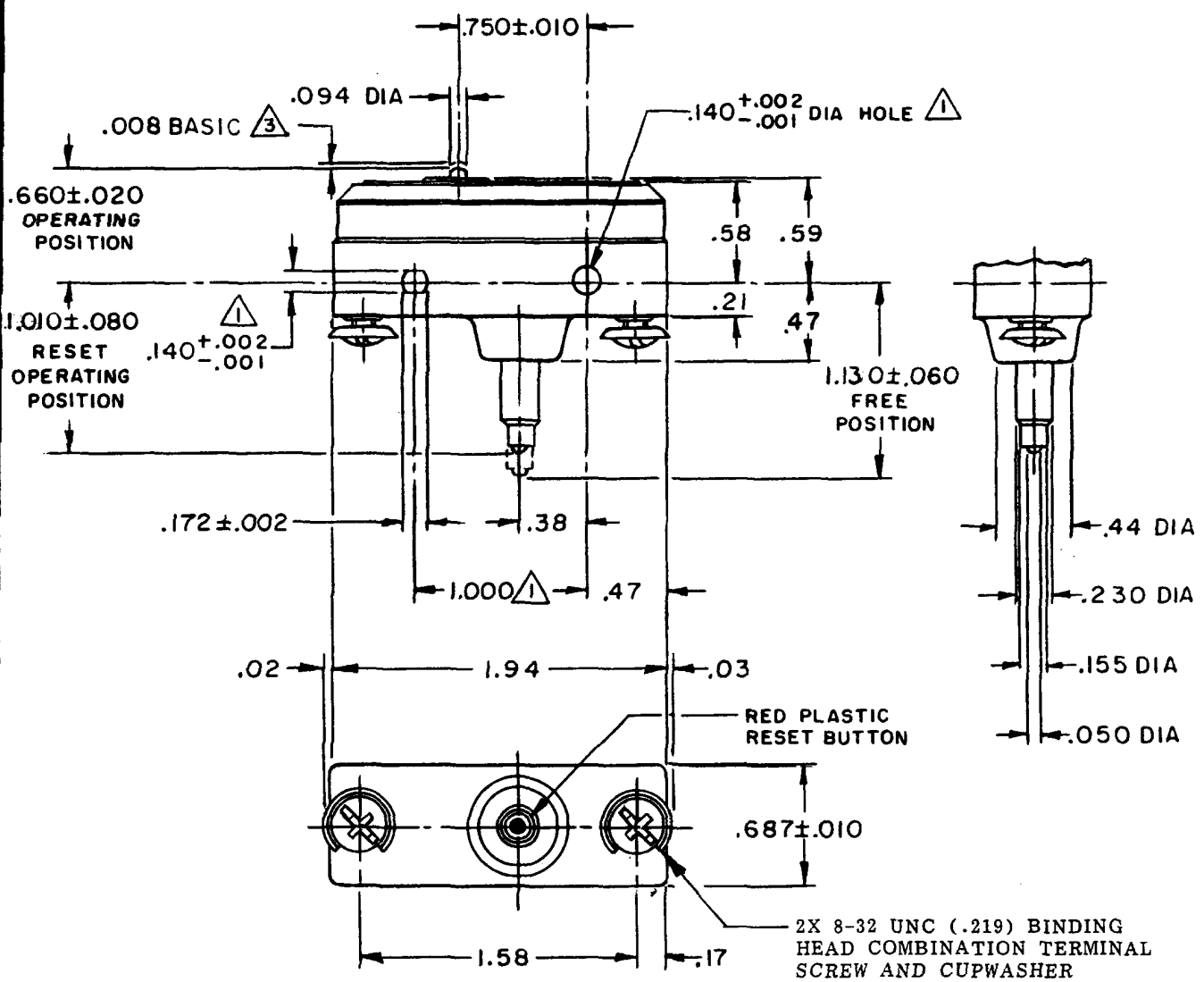
SWITCH - BASIC

CATALOG LISTING

WA-1RX123-A4

ACT3220

WA-1RX123-A4
 PAGE 1 OF 1
M
 DRAWING NUMBER
 9
 ISSUE
 REVISIONS
 A C035671
 DJW
 28 JUL 75
 B C0-36788
 JAL
 17 MAR 76
 C CO
 65807-C
 TJA
 24 AUG 89
 D CO
 70483
 JWB
 1 JUL 91
 E CO
 73287-C
 JAL
 20 OCT 93
 F CO-
 79609-A
 DLT
 14 FEB 95
 G C093346
 DLT
 18 AUG 98
 H 0015539
 BM
 30SEP05
 RASTER
 FO-90378-1A
 DRAWN
 OMW 21 APR 71
 CHECK
 LSD
 22 APR 71
 CHECK
 30SEP05
 VA
 CHECK
 30SEP05
 PR-1820
 REPLACES



NOTES

- 1 MOUNTING HOLES WILL ACCEPT PINS OR SCREWS OF $.139$ MAX DIA ON $1.000 \pm .002$ CENTERS
- 2 SWITCH WILL NOT RECYCLE OR ACT AS A MOMENTARY ACTION SWITCH IF PIN PLUNGER IS RELEASED WHEN RESET PLUNGER IS CONTINUALLY DEPRESSED
- 3 SWITCH MUST BE CAPABLE OF BEING RESET WHEN PIN PLUNGER IS RELEASED $.008$ BASIC FROM OPERATING POSITION
- 4 GOLD PLATED CONTACTS

THIS DRAWING COVERS A PROPRIETARY ITEM AND IS THE PROPERTY OF MICRO SWITCH. A DIVISION OF HONEYWELL. THIS DRAWING IS NOT TO BE COPIED OR USED WITHOUT THE APPROVAL OF MICRO SWITCH.

CHARACTERISTICS	ELECTRICAL DATA	SCALE FULL
OPERATING FORCE ----- 4-16 OZ	CONTACT ARRANGEMENT SINGLE POLE, NORMALLY CLOSED, MAINTAINED CONTACT	DO NOT SCALE PRINT
OVERTRAVEL ----- .010 MIN		UNLESS OTHERWISE NOTED DIMENSIONS ARE IN INCHES
RESET CHARACTERISTICS	CODE L22 1A-125 VAC	TOLERANCES ARE:
OPERATING FORCE ----- 32 OZ MAX	L288 L315 L307	ONE PLACE (.0) $\pm .030$ TWO PLACE (.00) $\pm .015$ THREE PLACE (.000) $\pm .005$ ANGLES \pm
OVERTRAVEL ----- .040 MIN	1A 250V \sim T85 25E3	WEIGHT