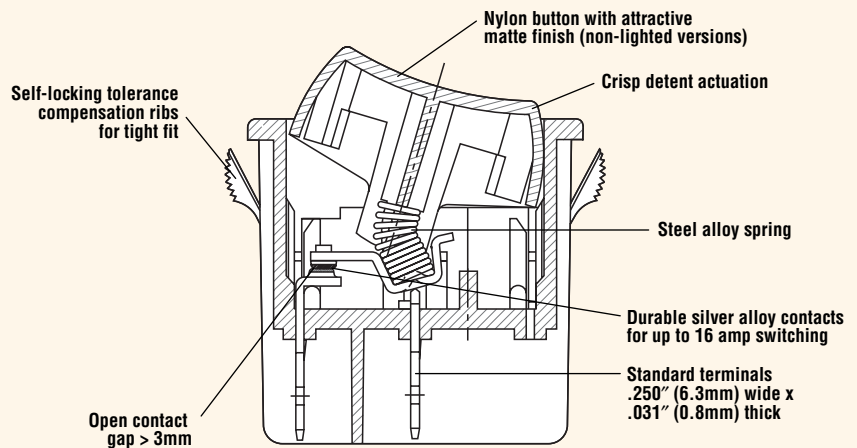


## DOUBLE-POLE POWER ROCKER SWITCH

# WR Series

### Features

- Rugged construction for 2-pole, high-current applications
- Lighted and non-lighted
- Maintained-action and momentary
- Single-throw and double-throw
- Available in a variety of colors
- Mechanical life: min. 50,000 operations



### Electrical Ratings

Switch Series	EN61058 Rating	UL1054 Rating	Electrical Life at Rated Load	
			According to VDE (Min. Operations)	According to UL (Min. Operations)
WR	16(4)A, 250V~, T125 1E4	16A, 125/250VAC; 1/4HP@125V; 3/4HP@250V	10,000	6,000

### Specifications

#### Electrical

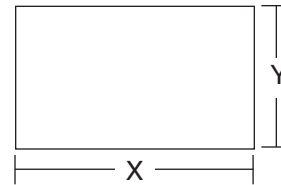
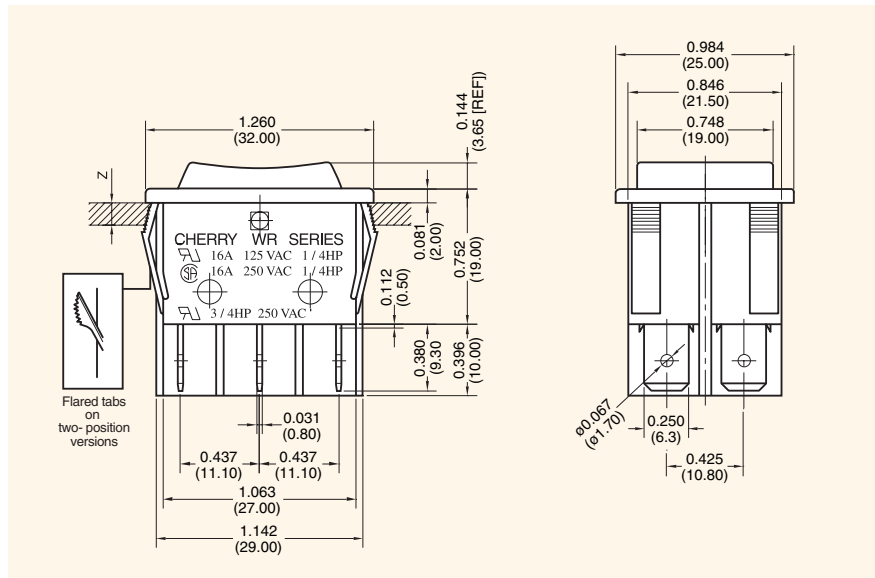
Dielectric Strength:	1000VAC for 1 minute
Insulation Resistance:	10 <sup>9</sup> ohms min at 500VDC
Initial Contact Resistance:	0.020 ohms max
Temperature Rating:	-20°C to +65°C

#### Materials

Actuator (non-lighted):	Nylon 66 94V-2
Actuator (lighted):	Polycarbonate
Case:	Nylon 66 94V-2
Spring:	Steel Wire
Contacts:	Silver Alloy
Movable Arm:	Silver-Plated Copper Alloy
Terminals:	Tin-Plated Copper Alloy



### Dimensions inches (mm)



Z = Panel Thickness

### Recommended Panel Cut-Out Dimensions

inches (mm)

Dim. Z	Dim. X	Dim. Y
0.030 to 0.049 (0.75 to 1.25)	1.180 (30.00)	0.867 (22.02)
0.049 to 0.079 (1.25 to 2.00)	1.190 (30.25)	0.867 (22.02)
0.079 to 0.118 (2.00 to 3.00)	1.200 (30.48)	0.867 (22.02)

### Examples of Common Part Numbers and Descriptions inches (mm)

Part Number	Circuitry	Switch Function	Terminal Type	Actuator/ Housing Color	Legend Marking
WRG32F2FBBNN		On - Off	0.250 (6.3) Quick-Connect	Black/Black	
WRG34F2HBBNN		On - Off - On	0.250 (6.3) Quick-Connect	Black/Black	
WRG32F2BBRLN		On - Off/Lighted	0.250 (6.3) Quick-Connect	Red/Black	

Boot #0015-0646

### Ordering Information

WR	G	3	2	F 2	F B	B N	N
<b>Series</b>		<b>Code</b> <b>Circuitry</b>	<b>Code</b> <b>Switch Function</b>	<b>Code</b> <b>Actuator Type</b>	<b>Code</b> <b>Housing Color</b>	<b>Code</b> <b>Lighted</b>	
		2 Single-Pole 3 Double-Pole	2 On - Off 3 On - On 4 On - Off - On 5 (On) - Off 6 (On) - On 7 (On) - Off - (On) 8 (On) - Off - On	2 Curve 5 Flat Actuator 7 Curve - Dual Actuator	E Charcoal Grey Y Grey B Black W White C Brown	N Non-Lighted L Lighted (Bulb 125VAC) E Lighted (Bulb 250VAC) F Lighted 5VDC Incandescent G Lighted 6VDC Incandescent H Lighted 12VDC Incandescent	
<b>Code</b> <b>Contact Rating</b>				<b>Code</b> <b>Actuator Marking</b>	<b>Code</b> <b>Actuator Color</b>	<b>Code</b> <b>Splashproof</b>	
G 16A, 125/250VAC: 1/4HP@125V: 3/4HP@250V (UL) 16A, 125/250VAC: 1/4HP@125/250VAC (CSA) 16(4)A, 250V~, T125 1E4 (VDE)				B Blank C D E F G H	Y Grey B Black G Green A Amber R Red W White C Brown E Charcoal Grey	N No Rocker Boot S Rocker Boot	
			<b>Code</b> <b>Terminal Type</b> inches (mm)				
			A 0.187 (4.8) QC F 0.250 (6.3) QC S 0.250 (6.3) M3 Tapped Screw T 0.250 (6.3) Solder Tag				