

SIDE ROTARY

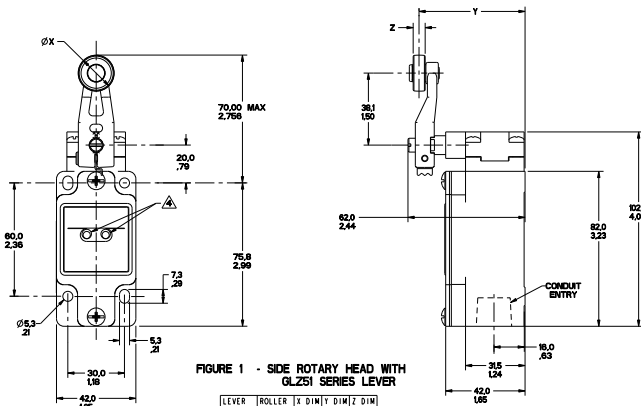


FIGURE 1 - SIDE ROTARY HEAD WITH GL251 SERIES LEVER

LEVER	ROLLER MATL	X DIM	Y DIM	Z DIM
GL251A	NYLON	18.1 .75	55.9 2.20	6.4 .25
GL251B	STEEL	18.1 .75	55.9 2.20	6.4 .25
GL251F	RUBBER	50.0 1.97	58.6 2.31	10.0 .39
GL251T	STAINLESS STEEL	19.1 .75	58.6 2.24	8.8 .345

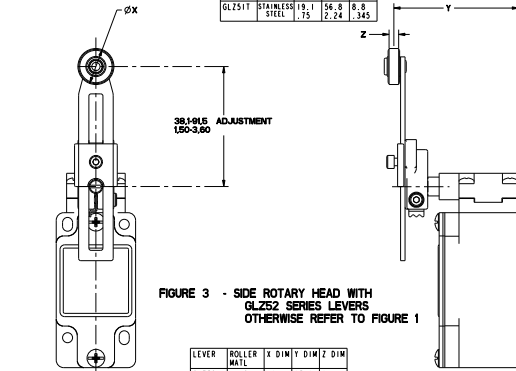


FIGURE 3 - SIDE ROTARY HEAD WITH GL252 SERIES LEVERS OTHERWISE REFER TO FIGURE 1

LEVER	ROLLER MATL	X DIM	Y DIM	Z DIM
GL252A	NYLON	19.1 .75	65.9 2.59	6.4 .25
GL252B	STEEL	19.1 .75	65.9 2.59	6.4 .25
GL252D	NYLON	38.1 1.5	65.9 2.59	6.4 .25
GL252E	NYLON	19.1 .75	39.2 1.55	33.0 1.300
GL252W	RUBBER	40.0 1.6	71.5 2.81	12.7 .5
GL252Y	RUBBER	50.0 1.97	68.6 2.71	10.0 .39

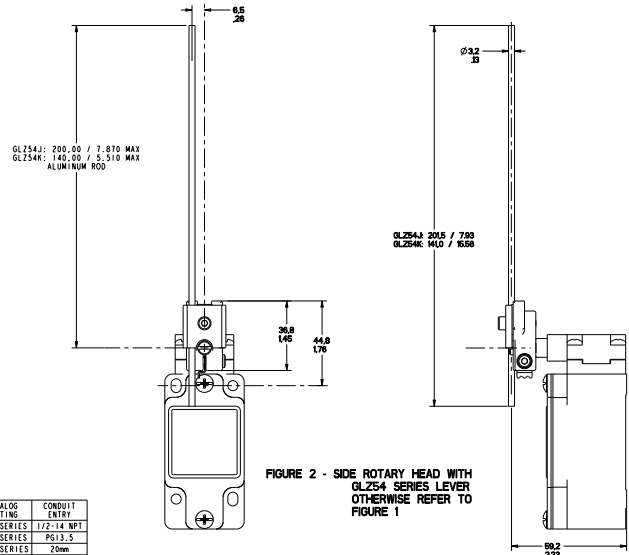


FIGURE 2 - SIDE ROTARY HEAD WITH GL254 SERIES LEVER OTHERWISE REFER TO FIGURE 1

FIGURE	CATALOG LISTING	CONDUIT ENTRY
1A	GL+A SERIES	1/2-14 NPT
1B	GL+B SERIES	PG13.5
1C	GL+C SERIES	20mm
1D	GL+D SERIES	PF1/2

ELECTRICAL RATING			
AC		DC	
A600	AC15	Q300	DC13
Ue	Ie	Ue	Ie
120	6	24	2.8
240	3	250	.27
380	1.9	250	.27
480	1.5		
500	1.4		
600	1.2		

ENVIRONMENTAL RATING	
IP67	
NEMA/UL TYPES 1, 4, 12, 13	

- NOTES
- HEADS MAY BE INDEXED IN 90° INCREMENTS.
 - LEVERS MAY BE REVEYED TO THE SHAFT AT 90° INCREMENTS, THEY MAY ALSO BE ATTACHED, BUT NOT KEYS ANYWHERE ON THE SHAFT.
 - FOR ADDITIONAL LEVERS SEE "M" DRAWING CHART GL25
- ⚠ THE LEFT INDICATOR IS GREEN AND INDICATES "POWER ON" IT IS ON GLH SERIES PRODUCTS ONLY. THE RIGHT INDICATOR IS YELLOW AND INDICATES "OUTPUT STATUS" IT IS ON GLF AND GLH SERIES PRODUCTS ONLY.
- ⚠ THE MAXIMUM VOLTAGE, V_e OF GLF AND GLH SERIES PRODUCTS IS THE MAXIMUM RATED VOLTAGE OF INDICATION LIGHTS FREE POSITION, OPERATE POINT, OVERTRAVEL AND PRETRAVEL ALL TO EXCESSIVE!
- ⚠ CAM TRAVEL FOR FIG 9 ONLY APPLIES WHEN LEVER IS ADJUSTED TO 36.1 / 1.42
- ⚠ THE MAXIMUM VOLTAGE, V_e OF "06" AND "36" BASIC SWITCH CODE IS 500V (A500) TEMPERATURE RANGE
- ⚠ (ALL PRODUCTS EXCEPT w/SIDE ROTARY OPERATING HEAD) OPERATING: -25°C TO +85°C / -15°F TO +185°F STORAGE: -40°C TO +85°C / -40°F TO +185°F (PRODUCTS w/SIDE ROTARY OPERATING HEAD) OPERATING: -40°C TO +85°C / -40°F TO +185°F STORAGE: -40°C TO +85°C / -40°F TO +185°F

CATALOG LISTING	BODY DIMENSIONS, FIGURE	HEAD DIMENSIONS, FIGURE	HEAD ACTUATION, FIGURE
GLA***	I	N/A	N/A
GLB***	I	N/A	N/A
GLB***	1A	N/A	N/A
GLB***	1B	N/A	N/A
GLC***	1C	N/A	N/A
GLD***	1D	N/A	N/A
GL***A1	I	1	9
GL***A2	I	3	9
GL***A4	I	2	10
GL***A5	I	4	8
GL***B	I	4	11
GL***C	I	5	13A, 13B
GL***D	I	6	14A, 14B
GL***E1A	I	3A	12
GL***E7B	I	7	12
GL***E7C	I	7E	15
GL***E7D	I	7B	12
GL***K8B	I	7C	15
GL***K8B	I	7D	15
GL***K8C	I	7	15

THIS DRAWING COVERS A PROPRIETARY ITEM AND IS THE PROPERTY OF MICRO SWITCH, A DIVISION OF HONEYWELL. THIS DRAWING IS NOT TO BE COPIED OR USED WITHOUT THE APPROVAL OF MICRO SWITCH.

THIS DRAWING IS NOT TO BE COPIED OR USED WITHOUT THE APPROVAL OF MICRO SWITCH.

Micro Switch Honeywell Division SWITCH, ENCLOSED GL SERIES CHART 1

THIRD ANGLE PROJECTION

SCALE 1:1

DO NOT SCALE PRINT

VOLTAIRES

UNITS: DIMENSIONS ARE IN INCHES AND FRACTIONS UNLESS OTHERWISE SPECIFIED

WEIGHT

ANSI Y14.5M-1982 APPLIES

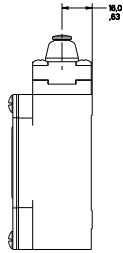
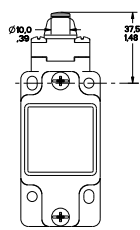


FIGURE 4 - TOP PIN PLUNGER HEAD
OTHERWISE REFER TO
FIGURE 1

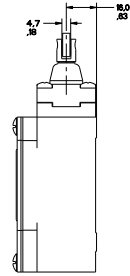
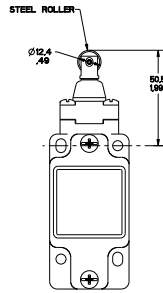


FIGURE 5 - TOP ROLLER PLUNGER HEAD
OTHERWISE REFER TO
FIGURE 1

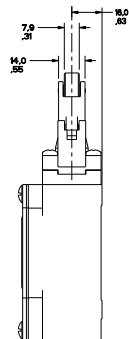
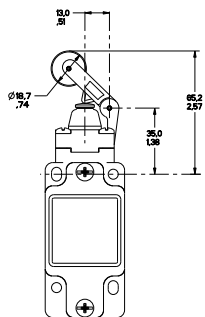


FIGURE 6 - TOP LEVER HEAD,
OTHERWISE REFER TO
FIGURE 1

PTC/CAD
 MICROSWITCH
 HONEYWELL DIVISION
 100 WEST 40TH STREET
 NEW YORK, NY 10018-3000
 TEL: 212-512-2000
 FAX: 212-512-2001
 WWW.MICROSWITCH.COM

THIS DRAWING COVERS A PROPRIETARY ITEM AND IS THE PROPERTY OF MICRO SWITCH, A DIVISION OF HONEYWELL. THIS DRAWING IS NOT TO BE COPIED OR USED WITHOUT THE APPROVAL OF MICRO SWITCH. SEE THE CASE FILE FOR CONTACT LISTING.		MICROSWITCH Honeywell Division		SWITCH, ENCLOSED		GL SERIES CHART 1	
THIS DRAWING COVERS A PROPRIETARY ITEM AND IS THE PROPERTY OF MICRO SWITCH, A DIVISION OF HONEYWELL. THIS DRAWING IS NOT TO BE COPIED OR USED WITHOUT THE APPROVAL OF MICRO SWITCH. SEE THE CASE FILE FOR CONTACT LISTING.				TYPED ANGLE PROJECTION SCALE: 1:1 DO NOT SCALE PRINT TOLERANCES DIMENSIONS ARE IN MILLIMETERS UNLESS OTHERWISE SPECIFIED. DECIMALS ARE IN MILLIMETERS. FRACTIONS ARE IN INCHES. UNLESS OTHERWISE SPECIFIED, DIMENSIONS ARE TO BE HOLD. HOLE DIMENSIONS ARE TO BE HOLD. WEIGHT: 0.5g MATERIAL: STAINLESS STEEL			

ANSI Y14.5M-1982 APPLIES

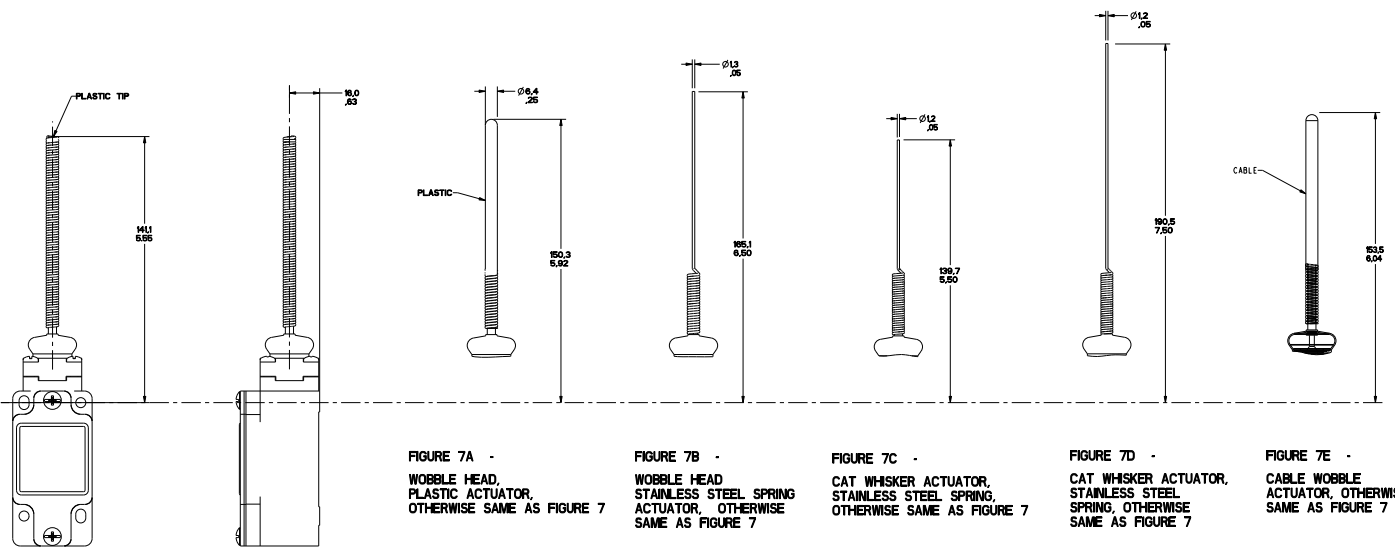


FIGURE 7A -
WOBBLE HEAD,
PLASTIC ACTUATOR,
OTHERWISE SAME AS FIGURE 7

FIGURE 7B -
WOBBLE HEAD
STAINLESS STEEL SPRING
ACTUATOR, OTHERWISE
SAME AS FIGURE 7

FIGURE 7C -
CAT WHISKER ACTUATOR,
STAINLESS STEEL SPRING,
OTHERWISE SAME AS FIGURE 7

FIGURE 7D -
CAT WHISKER ACTUATOR,
STAINLESS STEEL
SPRING, OTHERWISE
SAME AS FIGURE 7

FIGURE 7E -
CABLE WOBBLE
ACTUATOR, OTHERWISE
SAME AS FIGURE 7

FIGURE 7 - WOBBLE HEAD, AND CAT WISKER HEAD
COIL ACTUATOR,
OTHERWISE REFER TO
FIGURE 1

<p>THIS DRAWING COVERS A PROPRIETARY ITEM AND IS THE PROPERTY OF MICRO SWITCH, A DIVISION OF HONEYWELL. THIS DRAWING IS NOT TO BE COPIED OR USED WITHOUT THE APPROVAL OF MICRO SWITCH.</p> <p>FIG. NO. 508 0100 CATW/CD TESTING</p>		
<p>MICRO SWITCH a Honeywell Division</p>	<p>SWITCH, ENCLOSED</p>	<p>GL SERIES CHART 1</p>
<p>ANSI Y14.5M-1982 APPLIES</p>	<p>THIRD ANGLE PROJECTION</p> <p>SCALE: 1:1</p> <p>DO NOT SCALE PRINT</p> <p>TOLERANCES:</p> <p>FRACTIONS: 100 THRU 125: 0.0005 IN.</p> <p>DECIMALS: 0.001 IN. 0.002 IN. 0.005 IN. 0.01 IN.</p> <p>HOLE DRILLS: 0.001 IN. 0.002 IN. 0.005 IN. 0.01 IN. 0.015 IN. 0.02 IN. 0.03 IN. 0.05 IN. 0.075 IN. 0.10 IN. 0.15 IN. 0.20 IN. 0.30 IN. 0.50 IN. 0.75 IN. 1.00 IN.</p> <p>WHEEL SIZES: 0.0005 IN. 0.001 IN. 0.002 IN. 0.005 IN. 0.01 IN. 0.015 IN. 0.02 IN. 0.03 IN. 0.05 IN. 0.075 IN. 0.10 IN. 0.15 IN. 0.20 IN. 0.30 IN. 0.50 IN. 0.75 IN. 1.00 IN.</p> <p>WEIGHT: □</p>	

PTC/CAD
 MICRO SWITCH
 HONEYWELL DIVISION
 15275331
 15275331

FIGURES 8, 9, 10 SIDE ROTARY HEAD, ANGULAR ACTUATION

CATALOG LISTING	CONTACT BLOCK DIAGRAM	NOMINAL TRAVELS AND RELATED TERMINALS <small>■ CONTACT CLOSED, □ CONTACT OPEN, ▨ CONTACT CLOSED DIFFERENTIAL TRAVEL, ** POSITIVE OPENING TO IEC 947-5-1</small>	MAXIMUM OPERATING FORCE N-M LB-IN	MAXIMUM DISCONNECT FORCE N-M LB-IN	MAX OPERATE DEGREE/S	MIN OPERATE DEGREE/S	MAX OPERATE FREQUENCY OPS/MIN
GL**01A GL**07A	SNAP - ACTION CONTACTS SINGLE POLE	21-22 26° 55+** 85° 13-14 12° DIFFERENTIAL TRAVEL	.330 2.9	.385 3.4	1290	13	250
GL**03A GL**33A	SLOW ACTING BREAK BEFORE MAKE	21-22 26+** 85° 13-14 38°	.330 2.9	.385 3.4	1290	13	250
GL**04A GL**34A	SLOW ACTING MAKE BEFORE BREAK	21-22 38+** 85° 13-14 26°	.330 2.9	.400 3.5	1290	13	250
GL**05A GL**35A	SLOW ACTING	13-14 38° 85° 23-24	.330 2.9	.385 3.4	1290	13	250
GL**06A GL**36A	SLOW ACTING	11-12 26+** 85° 21-22	.330 2.9	.385 3.4	1290	13	250
GL**20A GL**22A GL**24A GL**32A	SNAP ACTION CONTACTS DOUBLE POLE	11-12, 21-22 26° 55+** 85° 13-14, 23-24 12° DIFFERENTIAL TRAVEL	.330 2.9	.385 3.4	1290	13	250
GL**21A GL**25A GL**28A GL**31A	STEP 1 SNAP ACTION CONTACTS DOUBLE POLE SEQUENTIAL STEP 2	11-12 27 42 13-14 8 DIFFERENTIAL TRAVEL 21-22 23-24 8 DIFFERENTIAL TRAVEL	.330 2.9	N/A	1290	13	250

M GL SERIES CHART 1

CATALOG LISTING	CONTACT BLOCK DIAGRAM	NOMINAL TRAVELS AND RELATED TERMINALS <small>■ CONTACT CLOSED, □ CONTACT OPEN, ▨ CONTACT CLOSED DIFFERENTIAL TRAVEL, ** POSITIVE OPENING TO IEC 947-5-1</small> <small>DIMENSIONS IN mm</small>	MAXIMUM OPERATING FORCE N LB	MAXIMUM DISCONNECT FORCE N LB	MAX OPERATE VEL. M/S IN/S	MIN OPERATE VEL. M/S IN/S	MAX OPERATE FREQUENCY OPS/MIN
GL**01A GL**07A	SNAP - ACTION CONTACTS SINGLE POLE	21-22 20 56+** 13-14 12 DIFFERENTIAL TRAVEL	9.7 2.2	11.4 2.6	.85 33.5	8.5 .33	250
GL**03A GL**33A	SLOW ACTING BREAK BEFORE MAKE	21-22 20+** 13-14 32	9.7 2.2	11.4 2.6	.85 33.5	8.5 .33	250
GL**04A GL**34A	SLOW ACTING MAKE BEFORE BREAK	21-22 32 13-14 20	9.7 2.2	11.4 2.6	.85 33.5	8.5 .33	250
GL**05A GL**35A	SLOW ACTING	13-14 32° 85° 23-24	9.7 2.2	11.4 2.6	.85 33.5	8.5 .33	250
GL**06A GL**36A	SLOW ACTING	11-12 20+** 21-22	9.7 2.2	11.4 2.6	.85 33.5	8.5 .33	250
GL**20A GL**22A GL**24A GL**32A	SNAP ACTION CONTACTS DOUBLE POLE	11-12, 21-22 20 56+** 13-14, 23-24 12 DIFFERENTIAL TRAVEL	9.7 2.2	11.8 2.7	.85 33.5	8.5 .33	250
GL**21A GL**25A GL**28A GL**31A	STEP 1 SNAP ACTION CONTACTS DOUBLE POLE SEQUENTIAL STEP 2	11-12 20 38.5 13-14 8.5 DIFFERENTIAL TRAVEL 21-22 23-24 7 DIFFERENTIAL TRAVEL	9.7 2.2	N/A	.85 33.5	8.5 .33	250
GL**26J GL**27J GL**29J GL**30J	SNAP ACTION CONTACTS DOUBLE POLE CENTER NEUTRAL	11-12 16 13-14 8 21-22 8 23-24 8	9.7 2.2	N/A	.85 33.5	8.5 .33	250

THIS DRAWING COVERS A PROPRIETARY ITEM AND IS THE PROPERTY OF MICRO SWITCH, A DIVISION OF HONEYWELL. THIS DRAWING IS NOT TO BE COPIED OR USED WITHOUT THE APPROVAL OF MICRO SWITCH.
 MICRO SWITCH
 Honeywell Division
 SWITCH, ENCLOSED
 GL SERIES CHART 1
 THIRD ANGLE PROJECTION
 SCALE
 DO NOT SCALE PRINT
 TOLERANCES
 UNLESS OTHERWISE SPECIFIED
 DIMENSIONS IN mm
 DECIMALS FRACTIONS
 .005 .0025
 .01 .005
 .02 .01
 .05 .025
 .1 .05
 .2 .1
 .5 .25
 1 .5
 2 1
 5 2.5
 10 5
 25 12.5
 50 25
 100 50
 250 125
 500 250
 1000 500
 UNLESS OTHERWISE SPECIFIED
 HONEYWELL
 MICRO SWITCH
 HONEYWELL DIVISION
 15275331
 15275331
 WEIGHT

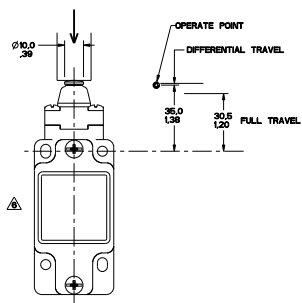


FIGURE 11

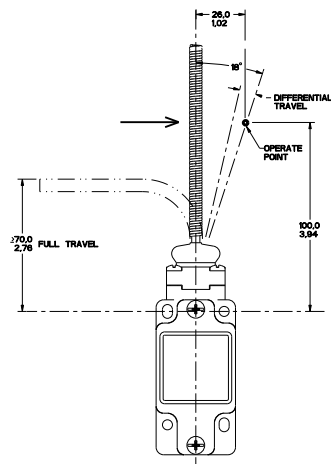


FIGURE 12

MicroSwitch
GL Series Chart 1
1978
1979
1980
1981
1982
1983
1984
1985
1986
1987
1988
1989
1990
1991
1992
1993
1994
1995
1996
1997
1998
1999
2000
2001
2002
2003
2004
2005
2006
2007
2008
2009
2010
2011
2012
2013
2014
2015
2016
2017
2018
2019
2020
2021
2022
2023
2024
2025
2026
2027
2028
2029
2030
2031
2032
2033
2034
2035
2036
2037
2038
2039
2040
2041
2042
2043
2044
2045
2046
2047
2048
2049
2050
2051
2052
2053
2054
2055
2056
2057
2058
2059
2060
2061
2062
2063
2064
2065
2066
2067
2068
2069
2070
2071
2072
2073
2074
2075
2076
2077
2078
2079
2080
2081
2082
2083
2084
2085
2086
2087
2088
2089
2090
2091
2092
2093
2094
2095
2096
2097
2098
2099
2100

THIS DRAWING COVERS A PROPRIETARY ITEM AND IS THE PROPERTY OF MICRO SWITCH, A DIVISION OF HONEYWELL. THIS DRAWING IS NOT TO BE COPIED OR USED WITHOUT THE APPROVAL OF MICRO SWITCH.

THIS MICRO SWITCH IS A **CATALOG LISTING**

MICRO SWITCH
Honeywell Division

SWITCH, ENCLOSED

GL SERIES CHART 1

ENTER ANGLE PROJECTION	
SCALE	1:1
DO NOT SCALE PRINT	
TOLERANCES	
UNLESS SPECIFIED OTHERWISE ALL DIMENSIONS ARE IN INCHES UNLESS INDICATED OTHERWISE	
FINISH	
NOTE	
WEIGHT	

ANSI Y14.5M-1982 APPLIES

FIGURES 11, PIN PLUNGER HEAD, LINEAR ACTUATION

CATALOG LISTING	CONTACT BLOCK DIAGRAM	NOMINAL TRAVELS AND RELATED TERMINALS CONTACT CLOSED, CONTACT OPEN, CONTACT CLOSED DIFFERENTIAL TRAVEL, ** POSITIVE OPENING TO IEC 947-5-1	MAXIMUM OPERATING FORCE - N LB	MAXIMUM DISCONNECT FORCE - N LB	MAX OPERATE VEL - M/S IN/S	MIN OPERATE VEL - M/S IN/S	MAX OPERATE FREQUENCY - OPS/MIN
GL**01B GL**07B	SNAP - ACTION CONTACTS SINGLE POLE	37.5 35 33** 30.5 21-22 13-14 0.9 DIFFERENTIAL TRAVEL	16 3.6	27 6.0	0.1 3.9	1.0 .04	250
GL**03B GL**33B	SLOW ACTING BREAK BEFORE MAKE	37.5 35** 30.5 21-22 13-14 34	16 3.6	27 6.0	0.1 3.9	1.0 .04	250
GL**04B GL**34B	SLOW ACTING MAKE BEFORE BREAK	37.5 34** 30.5 21-22 13-14 35	16 3.6	27 6.0	0.1 3.9	1.0 .04	250
GL**05B GL**35B	SLOW ACTING	37.5 34 30.5 13-14 23-24	16 3.6	27 6.0	0.1 3.9	1.0 .04	250
GL**06B GL**36B	SLOW ACTING	37.5 35** 30.5 11-12 21-22 34	16 3.6	27 6.0	0.1 3.9	1.0 .04	250
GL**20B GL**22B GL**24B GL**32B	SNAP ACTION CONTACTS DOUBLE POLE	37.5 35 33** 30.5 11-12, 21-22 13-14, 23-24 0.9 DIFFERENTIAL TRAVEL	16 3.6	37 8.2	0.1 3.9	1.0 .04	250
GL**21B GL**25B GL**28B GL**31B	STEP 1 STEP 2 SNAP ACTION CONTACTS DOUBLE POLE SEQUENTIAL	37.5 35 33.8 30.5 11-12 13-14 21-22 23-24 .8 DIFFERENTIAL TRAVEL	16 3.6	N/A	0.1 3.9	1.0 .04	250

FIGURE 12, WOBBLE HEAD, ANGULAR ACTUATION

CATALOG LISTING	CONTACT BLOCK DIAGRAM	NOMINAL TRAVELS AND RELATED TERMINALS CONTACT CLOSED, CONTACT OPEN, CONTACT CLOSED DIFFERENTIAL TRAVEL, ** POSITIVE OPENING TO IEC 947-5-1	MAXIMUM OPERATING FORCE - N LB	MAXIMUM DISCONNECT FORCE - N LB	MAX OPERATE VEL - M/S IN/S	MIN OPERATE VEL - M/S IN/S	MAX OPERATE FREQUENCY - OPS/MIN
GL**01E GL**07E	SNAP - ACTION CONTACTS SINGLE POLE	18" 21-22 13-14 0" DIFFERENTIAL TRAVEL	0.2 1.8	N/A	360	8	100
GL**03E GL**33E	SLOW ACTING BREAK BEFORE MAKE	0" 18" 25" 35" 21-22 13-14	0.2 1.8	N/A	360	8	100
GL**04E GL**34E	SLOW ACTING MAKE BEFORE BREAK	0" 18" 25" 35" 21-22 13-14	0.2 1.8	N/A	360	8	100
GL**05E GL**35E	SLOW ACTING	0" 25" 35" 13-14 23-24	0.2 1.8	N/A	360	8	100
GL**06E GL**36E	SLOW ACTING	0" 18" 35" 11-12 21-22	0.2 1.8	N/A	360	8	100
GL**20E GL**22E GL**24E GL**32E	SNAP ACTION CONTACTS DOUBLE POLE	18" 11-12, 21-22 13-14, 23-24 0" DIFFERENTIAL TRAVEL	0.2 1.8	N/A	360	8	100

FIGURE 12, WOBBLE HEAD, SIDE ACTUATION AT 100mm

CATALOG LISTING	CONTACT BLOCK DIAGRAM	NOMINAL TRAVELS AND RELATED TERMINALS CONTACT CLOSED, CONTACT OPEN, CONTACT CLOSED DIFFERENTIAL TRAVEL, ** POSITIVE OPENING TO IEC 947-5-1	MAXIMUM OPERATING FORCE - N LB	MAXIMUM DISCONNECT FORCE - N LB	MAX OPERATE VEL - M/S IN/S	MIN OPERATE VEL - M/S IN/S	MAX OPERATE FREQUENCY - OPS/MIN
GL**01E GL**07E	SNAP - ACTION CONTACTS SINGLE POLE	26 21-22 13-14 12 DIFFERENTIAL TRAVEL	2.5 0.6	N/A	5 19.7	11 .43	100
GL**03E GL**33E	SLOW ACTING BREAK BEFORE MAKE	26.5 38.1 21-22 13-14	2.5 0.6	N/A	5 19.7	11 .43	100
GL**04E GL**34E	SLOW ACTING MAKE BEFORE BREAK	26.5 38.1 21-22 13-14	2.5 0.6	N/A	5 19.7	11 .43	100
GL**05E GL**35E	SLOW ACTING	38.1 13-14 23-24	2.5 0.6	N/A	5 19.7	11 .43	100
GL**06E GL**36E	SLOW ACTING	26.5 11-12 21-22	2.5 0.6	N/A	5 19.7	11 .43	100
GL**20E GL**22E GL**24E GL**32E	SNAP ACTION CONTACTS DOUBLE POLE	26 11-12, 21-22 13-14, 23-24	2.5 0.6	N/A	360	8	100

TRIP ANGLE PRODUCTION

SCALE DO NOT SCALE PRINT

POLYGRAPHERS

100% QUALITY CONTROL

DATE 07/15/03

WEIGHT

THIS DRAWING COVERS A PROPRIETARY ITEM AND IS THE PROPERTY OF MICRO SWITCH, A DIVISION OF HONEYWELL. THIS DRAWING IS NOT TO BE COPIED OR USED WITHOUT THE APPROVAL OF MICRO SWITCH.
 MICRO SWITCH Honeywell Division SWITCH, ENCLOSED GL SERIES CHART 1

ANSI Y14.5M-1982 APPLICABLE

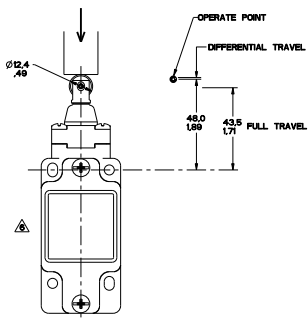


FIGURE 13A

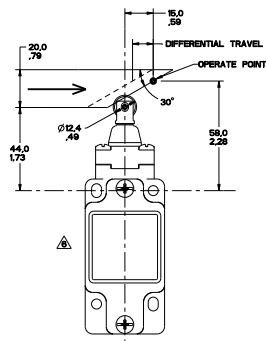


FIGURE 13B

PT/CAD
 1
 2
 3
 4
 5
 6
 7
 8
 9
 10
 11
 12
 13
 14
 15
 16
 17
 18
 19
 20
 21
 22
 23
 24
 25
 26
 27
 28
 29
 30
 31
 32
 33
 34
 35
 36
 37
 38
 39
 40
 41
 42
 43
 44
 45
 46
 47
 48
 49
 50
 51
 52
 53
 54
 55
 56
 57
 58
 59
 60
 61
 62
 63
 64
 65
 66
 67
 68
 69
 70
 71
 72
 73
 74
 75
 76
 77
 78
 79
 80
 81
 82
 83
 84
 85
 86
 87
 88
 89
 90
 91
 92
 93
 94
 95
 96
 97
 98
 99
 100

THIS DRAWING COVERS A PROPRIETARY ITEM AND IS THE PROPERTY OF MICRO SWITCH, A DIVISION OF HONEYWELL. THIS DRAWING IS NOT TO BE COPIED OR USED WITHOUT THE APPROVAL OF MICRO SWITCH.

125 - HONEYWELL
 MICRO SWITCH
 Honeywell Division

SWITCH, ENCLOSED

GL SERIES CHART 1

ANSI Y14.5M-1982 APPLIES

THIRD ANGLE PROJECTION	
SCALE	1:1
DO NOT SCALE PRINT	
TOLERANCES UNLESS OTHERWISE SPECIFIED	
FINISH	AS SUPPLIED
DRG NO.	125-127
REV.	1
DATE	10/7/78
BY	WJ
CHECKED BY	WJ
APPROVED BY	WJ
DATE	10/7/78
WEIGHT	0.100

FIGURE 13A, ROLLER PLUNGER HEAD, PIN ACTUATION

Table with columns: CATALOG LISTING, CONTACT BLOCK DIAGRAM, NOMINAL TRAVELS AND RELATED TERMINALS, MAXIMUM OPERATING FORCE, MAXIMUM DISCONNECT FORCE, MAX OPERATE VEL, MIN OPERATE VEL, MAX OPERATE FREQUENCY. Rows include models like GL**01C, GL**03C, GL**04C, GL**05C, GL**06C, GL**20C, GL**21C, GL**28C, GL**31C.

FIGURE 13B, TOP ROLLER PLUNGER HEAD, CAM ACTUATION PER ENS0041

Table with columns: CATALOG LISTING, CONTACT BLOCK DIAGRAM, NOMINAL TRAVELS AND RELATED TERMINALS, MAXIMUM OPERATING FORCE, MAXIMUM DISCONNECT FORCE, MAX OPERATE VEL, MIN OPERATE VEL, MAX OPERATE FREQUENCY. Rows include models like GL**01C, GL**03C, GL**04C, GL**05C, GL**06C, GL**20C, GL**21C, GL**28C, GL**31C.

THIS DRAWING COVERS A PROPRIETARY ITEM AND IS THE PROPERTY OF MICRO SWITCH, A DIVISION OF HONEYWELL. THIS DRAWING IS NOT TO BE COPIED OR USED WITHOUT THE APPROVAL OF MICRO SWITCH.

MICRO SWITCH Honeywell Division

SWITCH, ENCLOSED

GL SERIES CHART 1

ANSI Y14.5M-1982 APPLICABLE

Technical drawing standards table including THIRD ANGLE PROJECTION, SCALE, DO NOT SCALE PRINT, TOLERANCES, UNITS, and other drawing specifications.

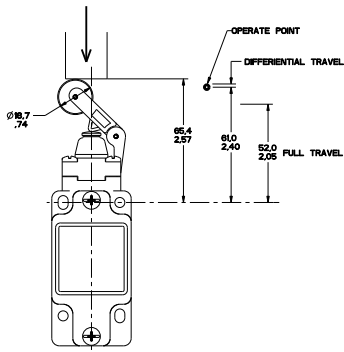


FIGURE 14A

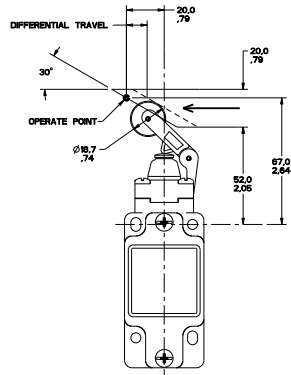


FIGURE 14B

REV. 12/2011
 1
 2
 3
 4
 5
 6
 7
 8
 9
 10
 11
 12
 13
 14
 15
 16
 17
 18
 19
 20
 21
 22
 23
 24
 25
 26
 27
 28
 29
 30
 31
 32
 33
 34
 35
 36
 37
 38
 39
 40
 41
 42
 43
 44
 45
 46
 47
 48
 49
 50
 51
 52
 53
 54
 55
 56
 57
 58
 59
 60
 61
 62
 63
 64
 65
 66
 67
 68
 69
 70
 71
 72
 73
 74
 75
 76
 77
 78
 79
 80
 81
 82
 83
 84
 85
 86
 87
 88
 89
 90
 91
 92
 93
 94
 95
 96
 97
 98
 99
 100
 101
 102
 103
 104
 105
 106
 107
 108
 109
 110
 111
 112
 113
 114
 115
 116
 117
 118
 119
 120
 121
 122
 123
 124
 125
 126
 127
 128
 129
 130
 131
 132
 133
 134
 135
 136
 137
 138
 139
 140
 141
 142
 143
 144
 145
 146
 147
 148
 149
 150
 151
 152
 153
 154
 155
 156
 157
 158
 159
 160
 161
 162
 163
 164
 165
 166
 167
 168
 169
 170
 171
 172
 173
 174
 175
 176
 177
 178
 179
 180
 181
 182
 183
 184
 185
 186
 187
 188
 189
 190
 191
 192
 193
 194
 195
 196
 197
 198
 199
 200

THIS DRAWING COVERS A PROPRIETARY ITEM AND IS THE PROPERTY OF MICRO SWITCH, A DIVISION OF HONEYWELL. THIS DRAWING IS NOT TO BE COPIED OR USED WITHOUT THE APPROVAL OF MICRO SWITCH.

THIS MICRO SWITCH IS PATENTED IN THE U.S. AND OTHER COUNTRIES.

Micro Switch
 Honeywell Division

SWITCH, ENCLOSED

GL SERIES CHART 1

ENTER ANGLE PROJECTION	
SCALE	1:1
DO NOT SCALE PRINT	
TOLERANCES	
FINISHES	
UNIT CONVERSION	
OTHER NOTES	
WEIGHT	

ANSI Y14.5M-1982 APPLIES

FIGURE 14A, TOP ROLLER LEVER HEAD WITH PIN ACTUATION

CATALOG LISTING	CONTACT BLOCK DIAGRAM	NOMINAL TRAVELS AND RELATED TERMINALS CONTACT CLOSED, CONTACT OPEN, CONTACT CLOSED DIFFERENTIAL TRAVEL. ** POSITIVE OPENING TO IEC 947-5-1	MAXIMUM OPERATING FORCE LB	MAXIMUM DISCONNECT FORCE LB	MAX OPERATE VEL. M/S	MIN OPERATE VEL. M/S	MAX OPERATE FREQUENCY OPS/MIN
GL**01D GL**07D	SNAP - ACTION CONTACTS SINGLE POLE	65.2 61 56.9** 52 21-22 13-14 1.7 DIFFERENTIAL TRAVEL	3.5 2.1	12 2.7	0.17 6.7	1.7 .061	250
GL**03D GL**33D	SLOW ACTING BREAK BEFORE MAKE	65.2 61** 52 21-22 13-14 59.1	3.5 2.1	12 2.7	0.17 6.7	1.7 .061	250
GL**04D GL**34D	SLOW ACTING MAKE BEFORE BREAK	65.2 59.1** 52 21-22 13-14 61	3.5 2.1	12 2.7	0.17 6.7	1.7 .061	250
GL**05D GL**35D	SLOW ACTING	65.2 59.1 52 13-14 53-24	3.5 2.1	12 2.7	0.17 6.7	1.7 .061	250
GL**06D GL**36D	SLOW ACTING	65.2 61** 52 11-12 21-22	3.5 2.1	12 2.7	0.17 6.7	1.7 .061	250
GL**20D GL**22D GL**24D GL**32D	SNAP ACTION CONTACTS DOUBLE POLE	65.2 61 56.9** 52 11-12, 21-22 13-14, 23-24 1.7 DIFFERENTIAL TRAVEL	3.5 2.1	16.4 3.7	0.17 6.7	1.7 .061	250
GL**21D GL**25D GL**28D GL**31D	STEP 1 SNAP ACTION CONTACTS DOUBLE POLE SEQUENTIAL STEP 2	65.2 61 58.6 11-12 13-14 21-22 23-24 1.6 DIFFERENTIAL TRAVEL	3.5 2.1	N/A	0.17 6.7	1.7 .061	250

FIGURE 14B, TOP ROLLER LEVER HEAD WITH CAM ACTUATION

CATALOG LISTING	CONTACT BLOCK DIAGRAM	NOMINAL TRAVELS AND RELATED TERMINALS CONTACT CLOSED, CONTACT OPEN, CONTACT CLOSED DIFFERENTIAL TRAVEL. ** POSITIVE OPENING TO IEC 947-5-1	MAXIMUM OPERATING FORCE LB	MAXIMUM DISCONNECT FORCE LB	MAX OPERATE VEL. M/S	MIN OPERATE VEL. M/S	MAX OPERATE FREQUENCY OPS/MIN
GL**01D GL**07D	SNAP - ACTION CONTACTS SINGLE POLE	21-22 13-14 20 29.1** 4.1 DIFFERENTIAL TRAVEL	5.5 1.2	7.0 1.6	0.29 11.4	2.9 .11	250
GL**03D GL**33D	SLOW ACTING BREAK BEFORE MAKE	21-22 13-14 20** 24.1	5.5 1.2	7.0 1.6	0.29 11.4	2.9 .11	250
GL**04D GL**34D	SLOW ACTING MAKE BEFORE BREAK	21-22 13-14 24.1** 20	5.5 1.2	9.6 2.2	0.29 11.4	2.9 .11	250
GL**05D GL**35D	SLOW ACTING	13-14 23-24 24.1	5.5 1.2	7.0 1.6	0.29 11.4	2.9 .11	250
GL**06D GL**36D	SLOW ACTING	11-12 21-22 20** 24.1	5.5 1.2	7.0 1.6	0.29 11.4	2.9 .11	250
GL**20D GL**22D GL**24D GL**32D	SNAP ACTION CONTACTS DOUBLE POLE	11-12, 21-22 13-14, 23-24 20 29.1** 4.1 DIFFERENTIAL TRAVEL	5.5 1.2	7.0 1.6	0.29 11.4	2.9 .11	250
GL**21D GL**25D GL**28D GL**31D	STEP 1 SNAP ACTION CONTACTS DOUBLE POLE SEQUENTIAL STEP 2	11-12 13-14 21-22 23-24 20 25.5 3.7 DIFFERENTIAL TRAVEL	5.5 1.2	N/A	0.29 11.4	2.9 .11	250

PFC/CAD 15
 DATE 11/08/03
 FILE 1221353.DWG
 MICRO SWITCH
 HONEYWELL INTERNATIONAL INC.
 1475 N. BRIDGEWAY
 FORT MILWAUKEE, WI 53154
 TEL: 414.763.1000
 FAX: 414.763.1001
 WWW.MICROSWITCH.COM

THIS DRAWING COVERS A PROPRIETARY ITEM AND IS THE PROPERTY OF MICRO SWITCH, A DIVISION OF HONEYWELL. THIS DRAWING IS NOT TO BE COPIED OR USED WITHOUT THE APPROVAL OF MICRO SWITCH.

ANSI Y14.5M-1982 APPLIES

MICRO SWITCH
Honeywell Division

SWITCH, ENCLOSED

GL SERIES CHART 1

ENTER ANGLE PROJECTION
SCALE
DO NOT SCALE PRINT
TOLERANCES
UNLESS OTHERWISE SPECIFIED
DIMENSIONS IN INCHES
DECIMALS
FRACTIONS
HOLE DRILLS
MATERIALS
FINISHES
WEIGHTS
UNLESS OTHERWISE SPECIFIED

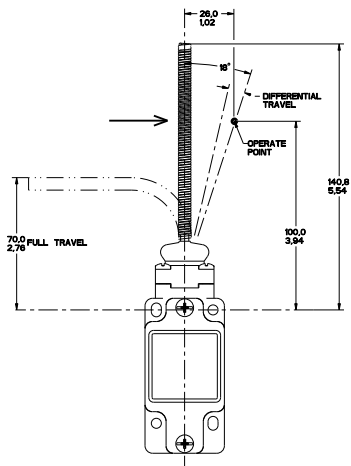


FIGURE 15

PT/CAD 15
 DATE 12/28/83
 FILE 1521639
 MICRO SWITCH
 HONEYWELL

ANSI Y14.5M-1982 APPLIES

THIS DRAWING COVERS A PROPRIETARY ITEM AND IS THE PROPERTY OF MICRO SWITCH, A DIVISION OF HONEYWELL. THIS DRAWING IS NOT TO BE COPIED OR USED WITHOUT THE APPROVAL OF MICRO SWITCH.		COPYRIGHT © 1983																						
MICRO SWITCH Honeywell Division		SWITCH, ENCLOSED																						
		GL SERIES CHART 1																						
TOLERANCES UNLESS OTHERWISE SPECIFIED		<table border="1"> <tr> <td>FRAMES</td> <td>AS SHOWN</td> <td>AS SHOWN</td> </tr> <tr> <td>HOLES</td> <td>±0.015</td> <td>±0.015</td> </tr> <tr> <td>SPACES</td> <td>±0.015</td> <td>±0.015</td> </tr> <tr> <td>ANGLES</td> <td>±0.5°</td> <td>±0.5°</td> </tr> <tr> <td>PLACES</td> <td>±0.015</td> <td>±0.015</td> </tr> <tr> <td>WEIGHTS</td> <td>±0.015</td> <td>±0.015</td> </tr> <tr> <td>WEIGHT</td> <td>±0.015</td> <td>±0.015</td> </tr> </table>		FRAMES	AS SHOWN	AS SHOWN	HOLES	±0.015	±0.015	SPACES	±0.015	±0.015	ANGLES	±0.5°	±0.5°	PLACES	±0.015	±0.015	WEIGHTS	±0.015	±0.015	WEIGHT	±0.015	±0.015
FRAMES	AS SHOWN	AS SHOWN																						
HOLES	±0.015	±0.015																						
SPACES	±0.015	±0.015																						
ANGLES	±0.5°	±0.5°																						
PLACES	±0.015	±0.015																						
WEIGHTS	±0.015	±0.015																						
WEIGHT	±0.015	±0.015																						

FIGURE 15. CAT WISKER HEAD, ANGULAR ACTUATION

CATALOG LISTING	CONTACT BLOCK DIAGRAM	NOMINAL TRAVELS AND RELATED TERMINALS CONTACT CLOSED, CONTACT OPEN, CONTACT CLOSED DIFFERENTIAL TRAVEL	MAXIMUM OPERATING FORCE N-m LB-IN	MAXIMUM DISCONNECT FORCE N-m LB-IN	MAX OPERATE DEGREE/S	MIN OPERATE VELOCITY DEGREE/S	MAX OPERATE RATE CYCLES/MIN
GL**01K GL**07K	SNAP - ACTION CONTACTS SINGLE POLE 	21-22 13-14 18° 8" DIFFERENTIAL TRAVEL	0.1 .9	N/A	360	8	100
GL**03K GL**33K	SLOW ACTING BREAK BEFORE MAKE 	21-22 13-14 18° 25	0.1 .9	N/A	360	8	100
GL**04K GL**34K	SLOW ACTING MAKE BEFORE BREAK 	21-22 13-14 25° 18°	0.1 .9	N/A	360	8	100
GL**05K GL**35K	SLOW ACTING 	13-14 23-24 25°	0.1 .9	N/A	360	8	100
GL**06K GL**36K	SLOW ACTING 	11-12 21-22 18°	0.1 .9	N/A	360	8	100
GL**20K GL**22K GL**24K GL**32K	SNAP ACTION CONTACTS DOUBLE POLE 	11-12, 21-22 13-14, 23-24 18° 8" DIFFERENTIAL TRAVEL	0.1 .9	N/A	360	8	100

FIGURE 15. CAT WISKER HEAD, SIDE ACTUATION AT 100mm

CATALOG LISTING	CONTACT BLOCK DIAGRAM	NOMINAL TRAVELS AND RELATED TERMINALS CONTACT CLOSED, CONTACT OPEN, CONTACT CLOSED DIFFERENTIAL TRAVEL	MAXIMUM OPERATING FORCE N LB	MAXIMUM DISCONNECT FORCE N LB	MAX OPERATE VEL M/S IN/S	MIN OPERATE VEL M/S IN/S	MAX OPERATE FREQUENCY CYCLES/MIN
GL**01K GL**07K	SNAP - ACTION CONTACTS SINGLE POLE 	26 21-22 13-14 12 DIFFERENTIAL TRAVEL	1.3 .3	N/A	5 19.7	11 .43	100
GL**03K GL**33K	SLOW ACTING BREAK BEFORE MAKE 	26.5 38.1 21-22 13-14	1.3 0.3	N/A	5 19.7	11 .43	100
GL**04K GL**34K	SLOW ACTING MAKE BEFORE BREAK 	26.5 38.1 21-22 13-14	1.3 0.3	N/A	5 19.7	11 .43	100
GL**05K GL**35K	SLOW ACTING 	38.1 21-22 13-14	1.3 0.3	N/A	5 19.7	11 .43	100
GL**06K GL**36K	SLOW ACTING 	26.5 11-12 21-22	1.3 0.3	N/A	5 19.7	11 .43	100
GL**20K GL**22K GL**24K GL**32K	SNAP ACTION CONTACTS DOUBLE POLE 	26 11-12, 21-22 13-14, 23-24 12 DIFFERENTIAL TRAVEL	1.3 0.3	N/A	5 19.7	11 .43	100

PT/CAD 15
SCALE 1:1
DATE 12/20/00
REV 1

THIS DRAWING COVERS A PROPRIETARY ITEM AND IS THE PROPERTY OF MICRO SWITCH, A DIVISION OF HONEYWELL. THIS DRAWING IS NOT TO BE COPIED OR USED WITHOUT THE APPROVAL OF MICRO SWITCH.
MICRO SWITCH
 Honeywell Division
SWITCH, ENCLOSED
GL SERIES CHART 1
 TOLERANCE PROJECTION
 SCALE
 DO NOT SCALE PRINT
 TOLERANCES
 UNLESS OTHERWISE SPECIFIED
 FRACTIONS DECIMALS MILLIMETERS INCHES
 .005 .010 .015 .020 .030 .040 .050 .060 .070 .080 .090 .100 .125 .150 .175 .200 .250 .300 .375 .500 .625 .750 .875 1.000
 .0005 .0010 .0015 .0020 .0030 .0040 .0050 .0060 .0070 .0080 .0090 .0100 .0125 .0150 .0175 .0200 .0250 .0300 .0375 .0500 .0625 .0750 .0875 .1000
 .0001 .0002 .0003 .0004 .0005 .0006 .0007 .0008 .0009 .0010 .0012 .0015 .0020 .0025 .0030 .0037 .0045 .0050 .0062 .0075 .0087 .0090 .0100 .0125 .0150 .0200 .0250 .0300 .0375 .0450 .0500 .0625 .0750 .0875 .1000
 .0001 .0002 .0003 .0004 .0005 .0006 .0007 .0008 .0009 .0010 .0012 .0015 .0020 .0025 .0030 .0037 .0045 .0050 .0062 .0075 .0087 .0090 .0100 .0125 .0150 .0200 .0250 .0300 .0375 .0450 .0500 .0625 .0750 .0875 .1000
 .0001 .0002 .0003 .0004 .0005 .0006 .0007 .0008 .0009 .0010 .0012 .0015 .0020 .0025 .0030 .0037 .0045 .0050 .0062 .0075 .0087 .0090 .0100 .0125 .0150 .0200 .0250 .0300 .0375 .0450 .0500 .0625 .0750 .0875 .1000
 WEIGHT