

82CX SERIES CHT 4  
 DRAWING NUMBER  
 ISSUE

REVISIONS  
 A CO-56479  
 B CO-57575  
 C K058369  
 D CO-61401  
 E CO-61899

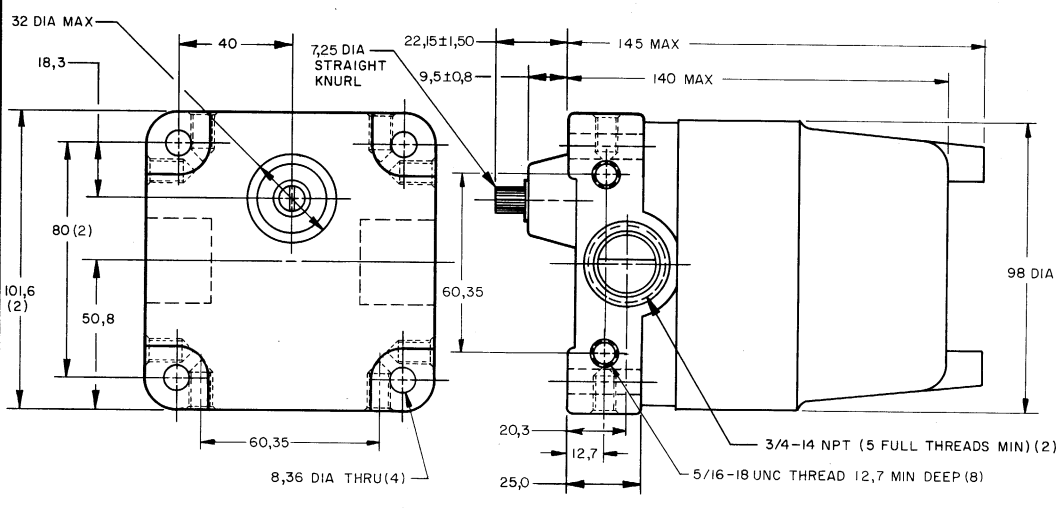
**MICRO SWITCH**  
 FREEPORT ILLINOIS U.S.A.  
 A DIVISION OF HONEYWELL  
 FED. MFG. CODE 91929

**SWITCH-ENCLOSED**

CATALOG LISTING  
**82CX**  
**SERIES CHT 4**

**CONVERSION CHART**

7.25	.285
7.92	.312
8.36	.33
9.5±0.8	.370±.032
12.7	.50
18.3	.72
20.3	.80
22.15±1.50	.870±.059
25.0	.98
32.0	1.26
40.0	1.57
50.8	2.00
60.35	2.38
80.0	3.15
98.0	3.86
101.6	4.00
140.0	5.51
145.0	5.71
1.25 Nm	.922 PF
0.113 Nm	.083 PF
4.0 Kg	8.82 LB



- NOTES**
- 1 - EXPLOSION PROOF-UNDERWRITERS LAB INC LISTING FOR HAZARDOUS LOCATIONS CLASS I, GROUPS C & D; CLASS II, GROUPS E, F AND G
  - 2 - BRONZE ENCLOSURE
  - 3 - 6-32 UNC X 7.92 PAN HEAD TERMINAL SCREW AND LOCKWASHER (SEMS TERMI-LOX) (3 PER BASIC)
  - 4 - CAMS MAY BE REPOSITIONED IN 7°20' INCREMENTS
  - 5 - FOR USE IN TEMPERATURES UP TO 85°C
- SEE (M) 7CX CHART 3 FOR LEVER ACTUATORS

CAT LIST	DESCRIPTION	ELECTRICAL DATA
82CX2A	2 BASICS, EACH OPERATES CLOCKWISE & COUNTER CLOCKWISE	UL LISTED - FILE E14274 L23 20A 125, 250, OR 480 VAC 10A 125 VAC "L" 1 HP 125 VAC, 2 HP 250 VAC 1/2 A 125 VDC, 1/4 A 250 VDC

THIS DRAWING COVERS A PROPRIETARY ITEM AND IS THE PROPERTY OF MICRO SWITCH, A DIVISION OF HONEYWELL. THIS DRAWING IS NOT TO BE COPIED OR USED WITHOUT THE APPROVAL OF MICRO SWITCH.		THIRD ANGLE PROJECTION	SCALE 3/4 TO 1
CHARACTERISTICS 82CX		CONTACT ARRANGEMENT S P D T (EACH BASIC)	TOLERANCES
OPERATING FORCE	1.25 Nm MAX		APPLY TO DESIGN DIM. CONVERSIONS ARE ONLY FOR REFERENCE. UNLESS NOTED, TOLERANCES ARE 2
RELEASE FORCE	.113 Nm MIN		NO PLACES 2.0 1.00% 10 0.010
PRETRAVEL	15° MAX		ONE PLACE 2.5 0.10% 2 0.025
DIFFERENTIAL TRAVEL	10° MAX		TWO PLACES 1.5 0.10% 2 0.030
OVERTRAVEL	90° MIN		THREE PLACES 1.5 0.10% 1.5 0.030
		DESIGN UNITS	RAW MATERIAL-COMMERCIAL STANDARD MICRO SWITCH STANDARDS APPLY DIMENSIONS ARE TO BE MET BEFORE PROTECTIVE COATING IS APPLIED
			WEIGHT 4.0 Kg APPROX