

FO-55111-B

4

3

2

1

HONEYWELL
PART NUMBER
GKNC4L

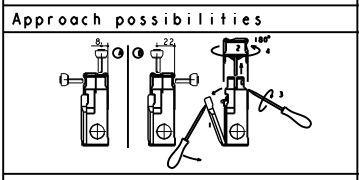
REV	DOCUMENT	CHANGED BY	CHECK
A	0003478	VA 02APRO4	AK

Mechanical features
 Enclosure: Thermoplastic, glass fibre reinforced (UL94-V0)
 Cover: Thermoplastic, glass fibre reinforced (UL94-V0)
 Actuator: separate actuator (S1-stainless steel)
 Temperature: -30°C up to +80°C
 Contact type: 1 NC-contact, 1 NO-contact (2b)
 Mechanical life: 1x10⁶ switch operations
 Switch frequency: 30/min
 Mounting: enclosure 2xM5, actuator 2xM5
 Connection type: 4 screw connections M3.5
 Conductor cross-section: single core 0.5-1.5mm²
 Cable entry size: 3 x M20x1.5
 Weight: approx. 0.13 kg
 Mounting position: selectable
 Protection class (IP-Code): IP65 according to EN 60529, DIN VDE 0470 T1
 The rated protection class (IP-Code) is valid only with closed cover and when using an at least equivalent cable gland.

Electrical features
 Rated insulation voltage: U_i: 250V AC A300/ 150V DC R150
 Conventional thermal current: I_{th}: 10A AC/ 1A DC
 Utilization categorie: AC-15 / DC-13
 Short circuit protection: fuse 10A gL/gG, IEC/EN 60947-5-1, appendix K
 CSA: 10A 300V AC, A300 (same pol.)

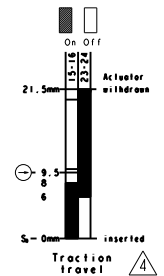
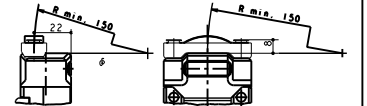
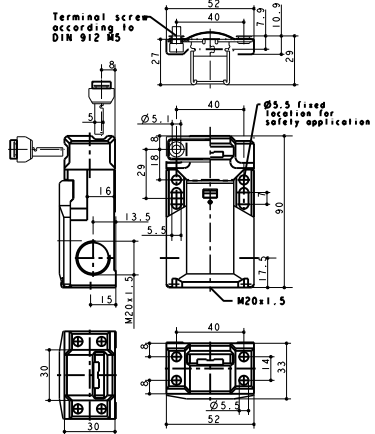
Approvals

Standards
 VDE 0660 T100, EN 60947-1
 VDE 0660 T200, EN 60947-5-1
 IEC 947-5-1
 GS-ET 15
 Positive opening operation according to DIN EN 60947-5-1 IEC 60947-5-1

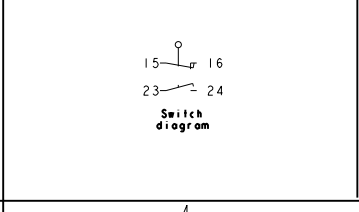


Specials / Remarks

- Turning the cap (pos A/B) allow 4 different directions of drive
- Cover (1) has to be opened before turning the cap (2).
- Insert the screwdriver into the gap between housing and cap and turn until the cap snaps off.
- Remove the cap, turn it 180° (4), latch it into the housing and close the cover.
- Radial actuation may reduce the mechanical life.
- The min. radius refers to a pivot of the top of the cap.
- Unused actuator entry slot must be covered by the plug.
- Do not use the switch as end stop.



- NOTES**
- 1 - ALL DIMENSIONS REFERENCE ONLY
 - 2 - KEY INSERTION FORCE: 2 N REF.
 - 3 - KEY EXTRACTION FORCE: 10 N ± 1 N
 - 4 - TOLERANCE OF OPERATION: ±0.25mm
 - 5 - KEY SHOWN FOR REFERENCE ONLY, MUST BE PURCHASED SEPARATELY



DESIGN UNITS: INCH	
TOLERANCES UNLESS NOTED:	
NO PLACE	X ± 0
ONE PLACE	.X ± 0.1
TWO PLACE	.XX ± 0.01
THREE PLACE	.XXX ± 0.001
FOUR PLACE	.XXXX ± 0.0001
ANGLES	X ± 0

THIRD ANGLE PROJECTION

DRAWN	VA	02APRO4
CHECK	AK	02APRO4
THIS DRAWING COVERS A PROPRIETARY ITEM AND IS THE PROPERTY OF HONEYWELL. THIS DRAWING IS NOT TO BE COPIED OR USED WITHOUT THE PERMISSION OF HONEYWELL.		
INTERPRET PER ASME Y14.5M-1994 OTHER HONEYWELL ENGINEERING STANDARDS MAY APPLY		
Pro/ENGINEER		

Honeywell			
SWITCH - DOOR INTERLOCK			
SIZE	TYPE	DRAWING NAME	REV
B	I	GKNC4L	A
SCALE	NONE	SHEET 1 OF 1	

4

3

2

1