

**MICRO SWITCH**  
 FREEPORT, ILLINOIS, U.S.A.  
 A DIVISION OF HONEYWELL  
 FED. MFG. CODE 91939

**SWITCH - ENCLOSED**

CATALOG LISTING  
**BZV6-7RN**

**M BZV6-7RN**

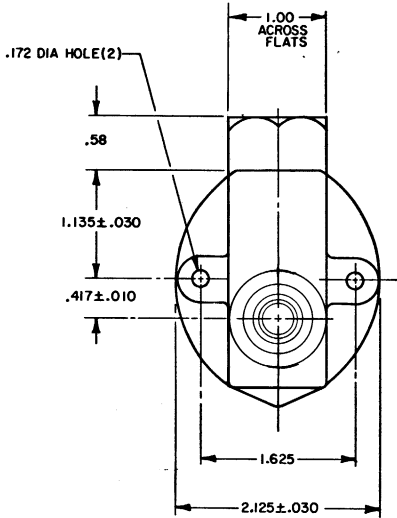
RELEASE NO. PR-10399

ISSUE  
 1  
 2  
 3  
 4  
 5  
 6

REVISIONS  
 A 00539H-E  
 J A P  
 2 MAR 84  
 B 0055989  
 C J H  
 5 102 84  
 C 0054958  
 Y S K  
 30 MAY 85  
 D 0072661  
 E 0072661  
 10 SEP 85  
 F 0072661  
 12 MAR 84

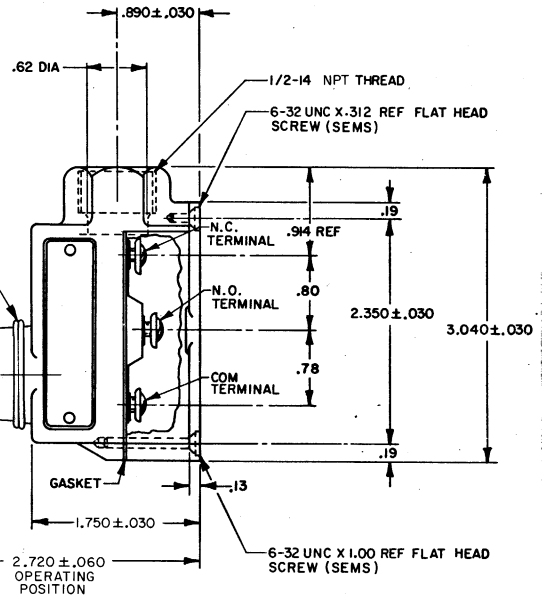
DATE 21 JULY 81

FOR 23251-A  
 DRAWN  
 J A P 20 JUL 81



ELASTOMER PLUNGER SEAL SECURED TO COMPONENTS BY EXTERNAL BANDING

HARDENED STEEL PLUNGER



NOTES

1-(3) 6-32 UNC X .219 REF. TERMINAL SCREW AND CUPWASHER

THIS DRAWING COVERS A PROPRIETARY ITEM AND IS THE PROPERTY OF MICRO SWITCH, A DIVISION OF HONEYWELL. THIS DRAWING IS NOT TO BE COPIED OR USED WITHOUT THE APPROVAL OF MICRO SWITCH.

THIRD ANGLE PROJECTION

SCALE FULL

DO NOT SCALE PRINT

CHARACTERISTICS	
OPERATING FORCE	22-39 OZ
RELEASE FORCE	4 OZ MIN
DIFFERENTIAL TRAVEL	.005 MAX
OVERTRAVEL	.219 MIN
SWITCH-BASIC REPLACEMENT	BZ-7RQ67

ELECTRICAL DATA	
CONTACT ARRANGEMENT S P D T	
15A-125, 250 OR 480 VAC, 2A-600 VAC 1.8HP-125 VAC, 1.4HP-250 VAC CODE L-74 1-2A-125 VDC 1-2A-250 VDC	

TOLERANCES			
APPLY TO DESIGN UNITS UNLESS OTHERWISE SPECIFIED			
NO PLACES	±.004	±.005	±.006
ONE PLACE	±.004	±.005	±.006
TWO PLACES	±.004	±.005	±.006
THREE PLACES	±.004	±.005	±.006
FOUR PLACES	±.004	±.005	±.006
DESIGN UNITS <input type="checkbox"/> METRIC <input checked="" type="checkbox"/> US CUSTOMARY			
READ MATERIAL-COMMERCIAL STANDARD MICRO SWITCH STANDARD APPLY DIMENSIONS ARE TO BE MET BEFORE PROTECTIVE COATING IS APPLIED			
WEIGHT .62 LB			

FL