

EXD-AR30-3

M

DRIVING NUMBER

10

ISSUE

REVISONS

A

B

C

D

E

F

G

H

I

J

K

L

M

N

O

P

Q

R

S

T

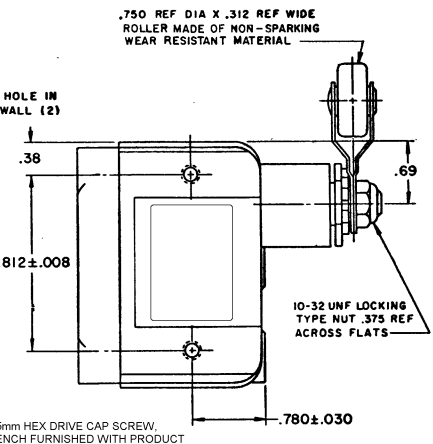
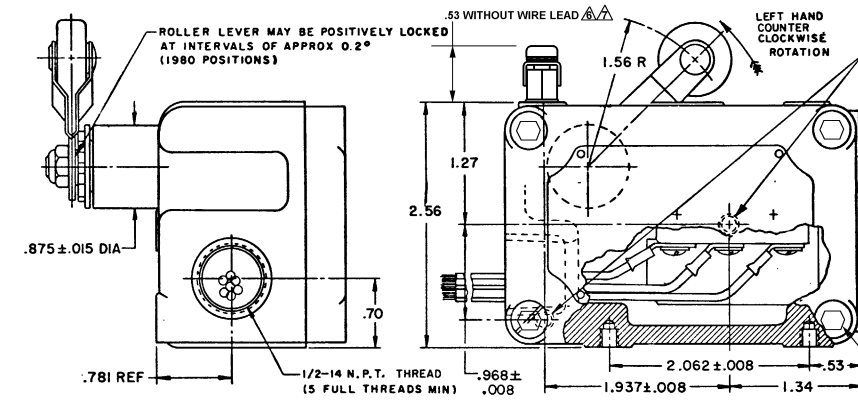
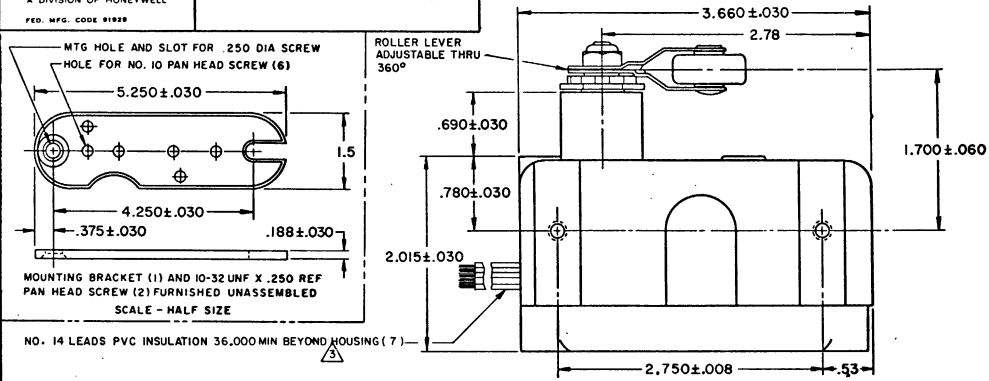
U

V

MICRO SWITCH
FREEPORT ILLINOIS U.S.A.
A DIVISION OF HONEYWELL
FED. MFG. CODE 91929

SWITCH-ENCLOSED

CATALOG LISTING
EXD-AR30-3



THIS DRAWING COVERS A PROPRIETARY ITEM AND IS THE PROPERTY OF MICRO SWITCH, A DIVISION OF HONEYWELL. THIS DRAWING IS NOT TO BE COPIED OR USED WITHOUT THE APPROVAL OF MICRO SWITCH.		THIRD ANGLE PROJECTION	SCALE FULL															
DO NOT SCALE PRINT		TOLERANCES																
APPLY TO DESIGN UNITS. CONVERSIONS ARE ONLY FOR REFERENCE UNLESS NOTED OTHERWISE AND:		<table border="1"> <tr> <th>NO. PLACES</th> <th>INCHES</th> <th>MILLIMETERS</th> </tr> <tr> <td>1</td> <td>±.0005</td> <td>±.002</td> </tr> <tr> <td>2</td> <td>±.0002</td> <td>±.001</td> </tr> <tr> <td>3</td> <td>±.0001</td> <td>±.0005</td> </tr> <tr> <td>4</td> <td>±.00005</td> <td>±.0002</td> </tr> </table>		NO. PLACES	INCHES	MILLIMETERS	1	±.0005	±.002	2	±.0002	±.001	3	±.0001	±.0005	4	±.00005	±.0002
NO. PLACES	INCHES	MILLIMETERS																
1	±.0005	±.002																
2	±.0002	±.001																
3	±.0001	±.0005																
4	±.00005	±.0002																
OPERATING FORCE --- 2 3/4 LB MAX		DESIGN UNITS																
PRETRAVEL --- .219 MAX (8°)		<table border="1"> <tr> <th>DESIGN UNITS</th> <th>US CUSTOMARY</th> </tr> <tr> <td>INCHES</td> <td>MILLIMETERS</td> </tr> <tr> <td>FRACTIONS</td> <td>DECIMALS</td> </tr> <tr> <td>DECIMALS</td> <td>FRACTIONS</td> </tr> </table>		DESIGN UNITS	US CUSTOMARY	INCHES	MILLIMETERS	FRACTIONS	DECIMALS	DECIMALS	FRACTIONS							
DESIGN UNITS	US CUSTOMARY																	
INCHES	MILLIMETERS																	
FRACTIONS	DECIMALS																	
DECIMALS	FRACTIONS																	
DIFFERENTIAL TRAVEL --- .109 MAX (4°)		WEIGHT																
OVERTRAVEL --- DO NOT OVERTRAVEL MORE THAN 25°																		
BASIC SWITCH REPLACEMENT --- DT-2R711-A7																		

- NOTES**
- (8) MOUNTING SCREW HOLES, 10-32 UNF-2B THREADS X .219 REF
 - EXPLOSION PROOF - UNDERWRITERS' LAB. INC. LISTED FOR HAZARDOUS LOCATIONS NEMA 7, CLASS I, GROUPS B, C AND D, NEMA 9, CLASS II, GROUPS E, F AND G.
 - COMMON LEADS - BLACK, NC LEADS - RED, NO LEADS - BLUE, GROUND LEAD - GREEN
 - EUROPEAN HAZARDOUS LOCATIONS DESIGNATION: EEx dIIB + H2 T6 CATAGORY II 2 G
 - SEAL RATING : NEMA 1
 - EXTERNAL GROUND SCREW MAY BE ASSEMBLED TO ANY UNUSED MOUNTING SCREW HOLE
 - ASSEMBLY PROVIDED SPLIT LOCKWASHER BETWEEN GROUND LUG AND HOUSING

ELECTRICAL DATA
CONTACT ARRANGEMENT
D P D T
10A-125 OR 250 VAC
0.3A-125 VDC; 0.15A-250 VDC
CODE L59

