

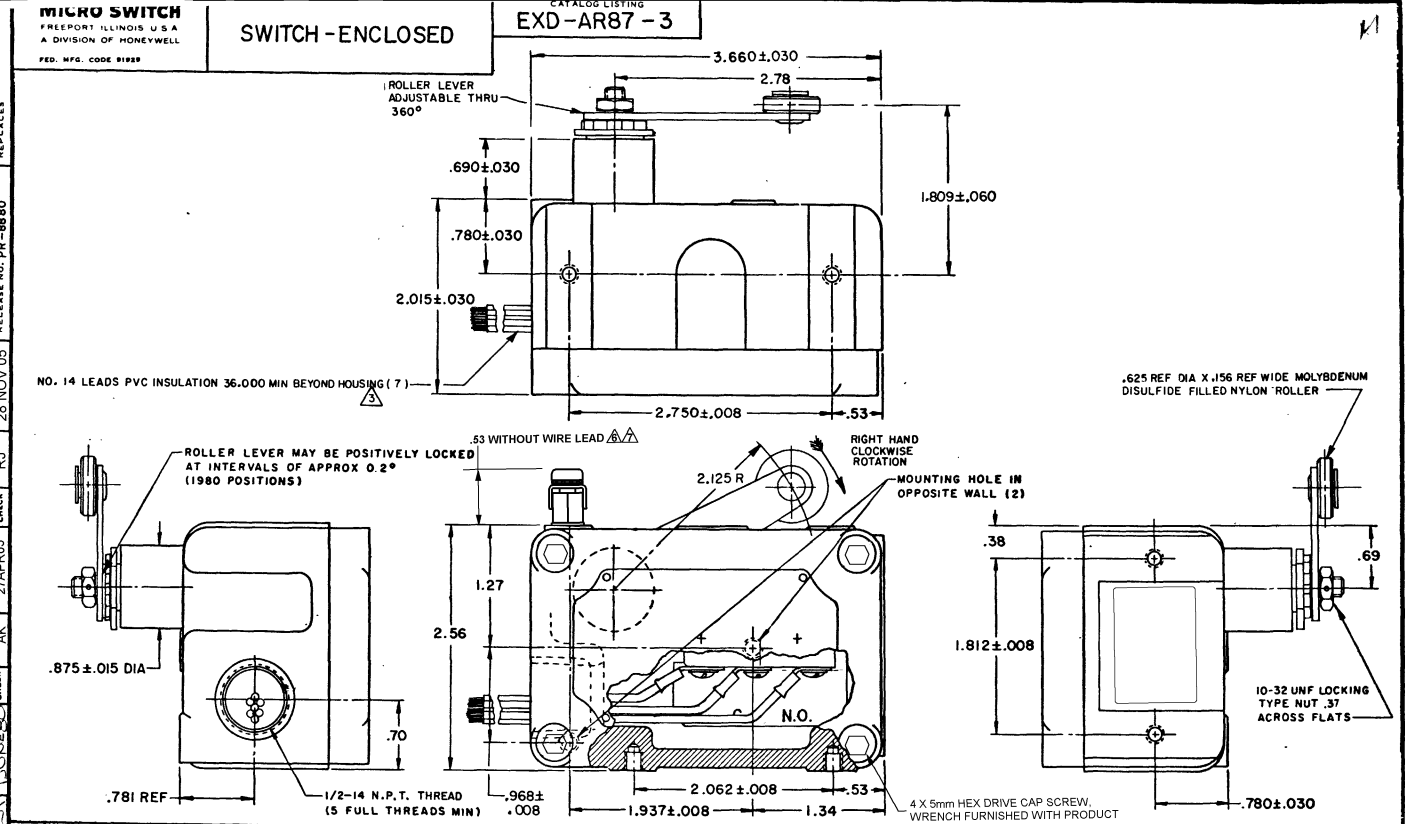
MICRO SWITCH
 FREEPORT ILLINOIS U.S.A.
 A DIVISION OF HONEYWELL
 FED. MFG. CODE 9192

SWITCH - ENCLOSED

CATALOG LISTING
EXD-AR87-3

11

EXD-AR87-3
 DRAWING NUMBER
 ISSUE
 REVISIONS
 CHECK
 DRAWN
 DATE



THIS DRAWING COVERS A PROPRIETARY ITEM AND IS THE PROPERTY OF MICRO SWITCH, A DIVISION OF HONEYWELL. THIS DRAWING IS NOT TO BE COPIED OR USED WITHOUT THE APPROVAL OF MICRO SWITCH.

CHARACTERISTICS	ELECTRICAL DATA
OPERATING FORCE --- 18 OZ MAX	CONTACT ARRANGEMENT D P D T
RELEASE FORCE --- 3 OZ MIN	10A-125 OR 250 VAC
PRETRAVEL --- .345 MAX	0.3A-125 VDC; 0.15A-250 VDC
DIFFERENTIAL TRAVEL --- .150 MAX	CODE L59
OVERTRAVEL --- DO NOT OVERTRAVEL MORE THAN 25°	
BASIC SWITCH REPLACEMENT --- DT-2R4-AT	

DO NOT SCALE PRINT	
TOLERANCES APPLY TO DIMENSIONS UNLESS NOTED OTHERWISE AND ONLY FOR REFERENCE UNLESS NOTED OTHERWISE AND ONLY FOR REFERENCE	
NO PLACES	± .005
ONE PLACE	± .002
TWO PLACES	± .001
THREE PLACES	± .0005
FOUR PLACES	± .0002
DESIGN UNITS DIMENSIONS ARE TO BE MET BEFORE PROTECTIVE COATING AND AFTER	
WEIGHT	

- NOTES
- (8) MOUNTING SCREW HOLES, 10-32 UNF-2B THREADS X .219 REF DEEP
 - EXPLOSION PROOF - UNDERWRITERS' LAB. INC. LISTED FOR HAZARDOUS LOCATIONS NEMA 7, CLASS I, GROUPS B, C AND D, NEMA 9, CLASS II, GROUPS E, F AND G.
 - COM LEADS - BLACK, N.C. LEADS - RED, N.O. LEADS - BLUE, GROUND LEAD - GREEN
 - EUROPEAN HAZARDOUS LOCATIONS DESIGNATION: EEx dIIB + H2 T6 CATAGORY II 2 G
 - SEAL RATING: NEMA 1
 - EXTERNAL GROUND SCREW MAY BE ASSEMBLED TO ANY UNUSED MOUNTING SCREW HOLE
 - ASSEMBLE PROVIDED SPLIT LOCKWASHER BETWEEN GROUND LUG AND HOUSING