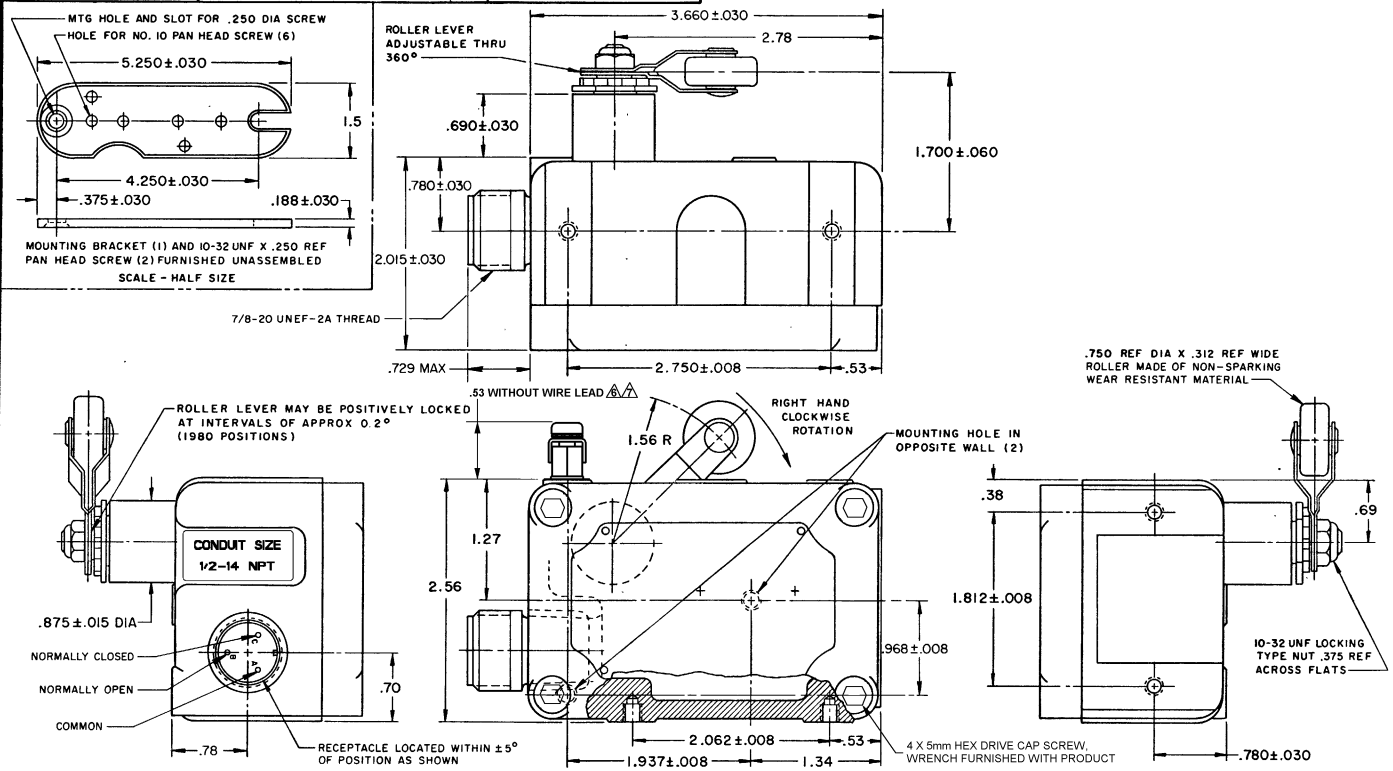


EXH-AR7-R1
 DRAWING NUMBER
 13
 ISSUE
 13
 13

REVISIONS
 A PR 3131
 13 FEB 73
 B
 C 20613981
 D 23 APR 87
 E 0012750
 F 0017245
 G 0059237
 13 FEB 73
 13 FEB 73
 13 FEB 73
 13 FEB 73

MICRO SWITCH FREEDPORT, ILLINOIS, U.S.A. A DIVISION OF HONEYWELL FED. MFG. CODE 91929	SWITCH - ENCLOSED	CATALOG LISTING EXH-AR7-R1	THIS DRAWING COVERS A PROPRIETARY ITEM AND IS THE PROPERTY OF MICRO SWITCH, A DIVISION OF HONEYWELL. THIS DRAWING IS NOT TO BE COPIED OR USED WITHOUT THE APPROVAL OF MICRO SWITCH.
-------------------------------------------------------------------------------------------------------	--------------------------	--------------------------------------	-------------------------------------------------------------------------------------------------------------------------------------------------------------------------------------



CHARACTERISTICS	
OPERATING FORCE	8-24 OZ
RELEASE FORCE	4 OZ MIN
PRETRAVEL	8° (.219 MAX)
DIFFERENTIAL TRAVEL	.025 MAX
DO NOT OVERTRAVEL MORE THAN	25°
SWITCH-BASIC REPLACEMENT - IHS201	

ELECTRICAL DATA		
CONTACT ARRANGEMENT S P D T		
LINE VOLTAGE	INDUCTIVE LOAD	RESISTIVE LOAD
28 VDC	10 AMP	25 AMP
(SEA LEVEL - 100,000 FT)		
125 VAC	1 AMP	1 AMP
(SEA LEVEL - 70,000 FT)		

SCALE FULL	
DO NOT SCALE PRINT	
UNLESS OTHERWISE NOTED DIMENSIONS ARE IN INCHES	
TOLERANCES ARE:	
ONE PLACE (.01)	±.030
TWO PLACE (.005)	±.015
THREE PLACE (.000)	±.008
ANGLES	
WEIGHT	

- NOTE-**
- MOUNTING SCREW HOLES, 10-32 UNF - 28 THREADS X .219 REF DEEP (8)
 - EXPLOSION PROOF - UNDERWRITERS' LAB. INC. LISTED FOR HAZARDOUS LOCATIONS NEMA 7, CLASS I, GROUPS B,C AND D, NEMA 9, CLASS II, GROUPS E, F AND G.
 - RECEPTACLE BENDIX PART NO. CB-3101A-14S-7P MATES WITH MS3106A-14S-7S
 - EUROPEAN HAZARDOUS LOCATIONS DESIGNATION: Ex dIIB + H2 T6 CATEGORY II 2 G
 - SEAL RATING: NEMA 1
 - EXTERNAL GROUND SCREW MAY BE ASSEMBLED TO ANY UNUSED MOUNTING SCREW HOLE
 - ASSEMBLE PROVIDED SPLIT LOCKWASHER BETWEEN GROUND LUG AND HOUSING

RASTER