

1LS23-L

6

REVISIONS

CHECK

CHECK

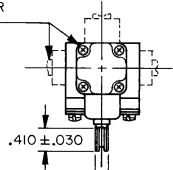
FORMTEK

MICRO SWITCH
a Honeywell Division

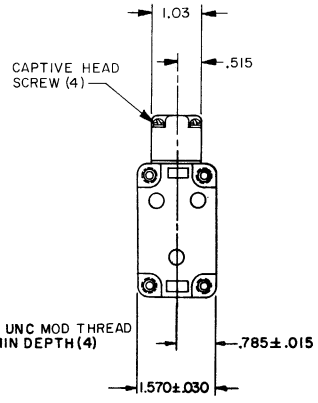
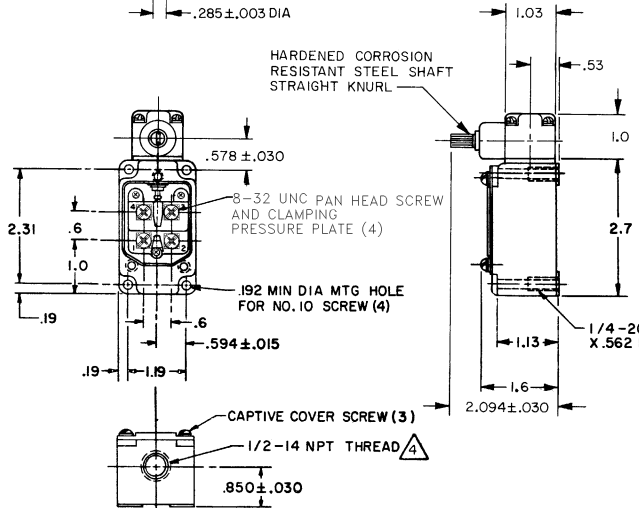
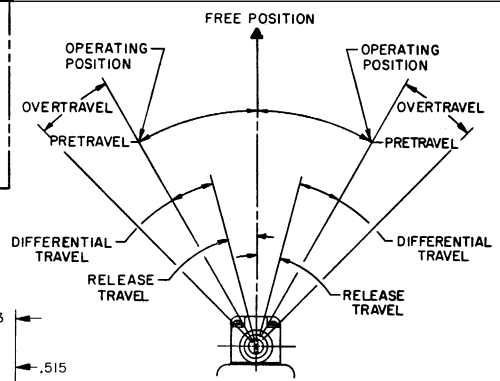
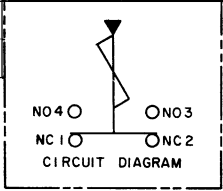
SWITCH-ENCLOSED

CATALOG LISTING
1LS23-L

OPERATING HEAD MOUNTS
IN ANY OF FOUR
POSITIONS



$.410 \pm .030$
 $.285 \pm .003$ DIA



NOTES

- 1 SWITCH IS ASSEMBLED FOR ACTUATION IN EITHER DIRECTION, BUT MAY BE ADJUSTED TO ACTUATE THE SWITCH IN THE CLOCKWISE DIRECTION ONLY, THE COUNTERCLOCKWISE DIRECTION ONLY, OR IN BOTH DIRECTIONS
- 2 TO CONVERT SWITCH FOR ACTUATION IN EITHER THE CLOCKWISE OR COUNTERCLOCKWISE DIRECTION ONLY, REMOVE ACTUATOR HEAD AND ROTATE THE NOTCHED PLUNGER 90° TO THE RIGHT FOR CLOCKWISE ACTUATION OR 90° TO THE LEFT FOR COUNTERCLOCKWISE ACTUATION

4 SEAL TO BE FURNISHED BY USER

<p>THIS DRAWING COVERS A PROPRIETARY ITEM AND IS THE PROPERTY OF MICRO SWITCH, A DIVISION OF HONEYWELL. THIS DRAWING IS NOT TO BE COPIED OR USED WITHOUT THE APPROVAL OF MICRO SWITCH</p>		<p>THIRD ANGLE PROJECTION</p>
<p>CHARACTERISTICS</p> <p>OPERATING TORQUE --- 30 IN OZ MAX</p> <p>FULL OVERTRAVEL TORQUE --- 40 IN OZ MAX</p> <p>RELEASE TORQUE --- 4 IN OZ MIN</p> <p>PRETRAVEL --- 20° MAX</p> <p>DIFFERENTIAL TRAVEL --- 12° MAX</p> <p>OVERTRAVEL --- 30° MIN</p> <p>RELEASE TRAVEL --- 5° MIN</p> <p>BASIC SWITCH REPLACEMENT --- 2MNI-L</p>	<p>ELECTRICAL DATA</p> <p>CONTACT ARRANGEMENT (SEE CIRCUIT DIAGRAM)</p> <p>L126 10A 125, 250 OR 480 VAC</p> <p>1/3HP 125 VAC, 3/4HP 250 VAC</p> <p>0.8A 125 VDC, 0.4A 250 VDC</p>	<p>SCALE 1/2 TO 1</p> <p>DO NOT SCALE PRINT</p> <p>UNLESS OTHERWISE SPECIFIED TOLERANCES ARE</p> <p>ONE PLACE (.01) ± .030</p> <p>TWO PLACE (.00) ± .015</p> <p>THREE PLACE (.000) ± .005</p> <p>ANGLES ±</p> <p>WEIGHT</p>

