

CATALOG LISTING
1LS56-L

ISSUE
6

REVISIONS

A 76997
3 APR 95

DRM

5 MAY 95

JAF

5 MAY 95

DRM

3 APR 95

GJW

3 APR 95

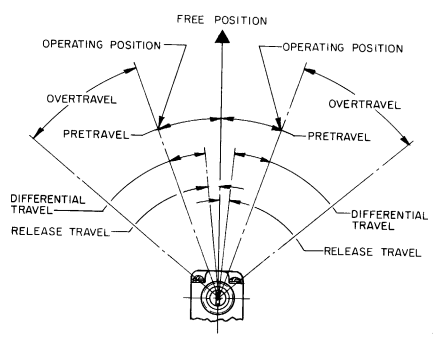
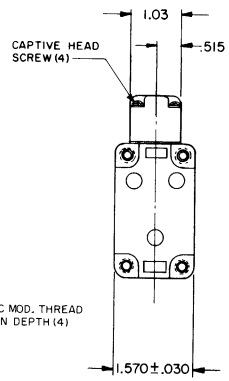
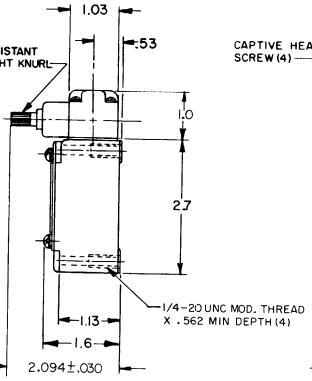
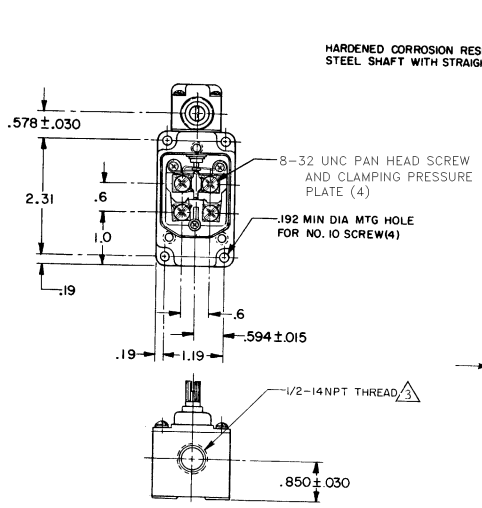
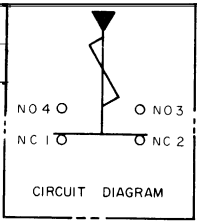
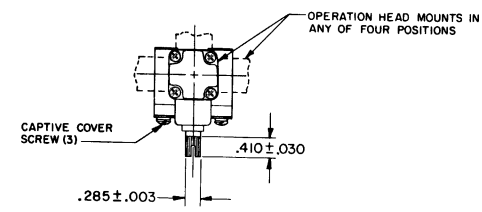
DRM

FORMTEK

MICRO SWITCH
a Honeywell Division

SWITCH - ENCLOSED

CATALOG LISTING
1LS56-L



- NOTES**
- 1 - SWITCH IS ASSEMBLED FOR ACTUATION IN EITHER DIRECTION BUT MAY BE ADJUSTED TO ACTUATE THE SWITCH IN THE CLOCKWISE DIRECTION ONLY, THE COUNTERCLOCKWISE DIRECTION ONLY, OR IN BOTH DIRECTIONS
 - 2 - TO CONVERT SWITCH FOR ACTUATION IN EITHER THE CLOCKWISE OR COUNTERCLOCKWISE DIRECTION ONLY, REMOVE ACTUATOR HEAD AND ROTATE THE NOTCHED PLUNGER 90° TO THE RIGHT FOR CLOCKWISE ACTUATION OR 90° TO THE LEFT FOR COUNTERCLOCKWISE ACTUATION
- ⚠ SEAL TO BE FURNISHED BY USER**

THIS DRAWING COVERS A PROPRIETARY ITEM AND IS THE PROPERTY OF MICRO SWITCH, A DIVISION OF HONEYWELL. THIS DRAWING IS NOT TO BE COPIED OR USED WITHOUT THE APPROVAL OF MICRO SWITCH.		THIRD ANGLE PROJECTION
CHARACTERISTICS	OPERATING TORQUE --- 15 IN OZ MAX RELEASE TORQUE --- 3 IN OZ MIN PRETRAVEL --- 5° MAX RELEASE TRAVEL --- 0° 30' MIN OVERTRAVEL --- 30° MIN SWITCH-BASIC REPLACEMENT --- 2MNB-L	SCALE 1/2 TO 1
		DO NOT SCALE PRINT
ELECTRICAL DATA	CONTACT ARRANGEMENT (SEE CIRCUIT DIAGRAM) L127 10A 125, 250 OR 480 VAC 1/4HP 125 VAC, 1/2HP 250 VAC	UNLESS OTHERWISE SPECIFIED TOLERANCES ARE
		ONE PLACE (.01) ±.030 TWO PLACE (.00) ±.015 THREE PLACE (.000) ±.005 ANGLES ± WEIGHT

