

1E1N1-8

ISSUE 21

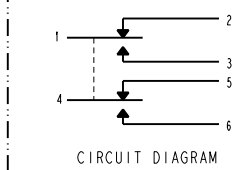
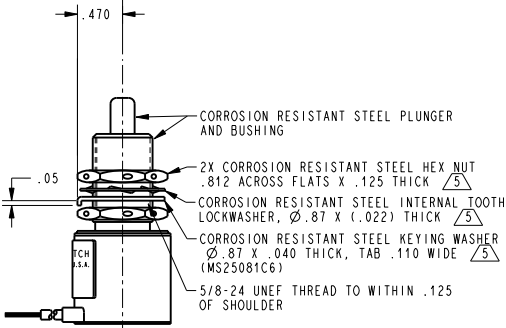
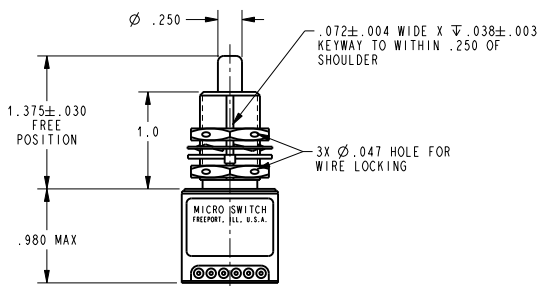
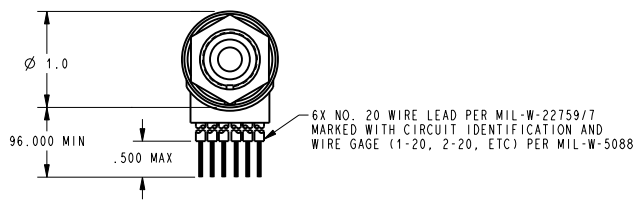
REVISIONS  
A 0001545  
C S L 10 OCT 03

PTC/CAD 20  
DRAWN  
C S L 10 OCT 03  
CHECK S A V 10 OCT 03  
CHECK

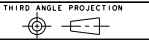
**MICRO SWITCH**  
a Honeywell Division  
FED. MFG. CODE 91929

**SWITCH - ENCLOSED**

CATALOG LISTING  
**1E1N1-8**



THIS DRAWING COVERS A PROPRIETARY ITEM AND IS THE PROPERTY OF MICRO SWITCH, A DIVISION OF HONEYWELL. THIS DRAWING IS NOT TO BE COPIED OR USED WITHOUT THE APPROVAL OF MICRO SWITCH



CHARACTERISTICS	
OPERATING FORCE	6-12 LB
FULL OVERTRAVEL FORCE	30 LB MAX
RELEASE FORCE	4 LB MIN
PRETRAVEL	.040 MAX
DIFFERENTIAL TRAVEL	.020 MAX
OVERTRAVEL	.250 MIN

ELECTRICAL DATA		
CONTACT ARRANGEMENT 2X S P D T		
28 VDC		
LOAD	SEA LEVEL 50,000 FT.	
RES	4	4
IND	2	2
MOTOR	4	
LAMP		

SCALE FULL	
DO NOT SCALE PRINT	
UNLESS OTHERWISE SPECIFIED TOLERANCES ARE	
ONE PLACE (.01)	±.030
TWO PLACE (.00)	±.015
THREE PLACE (.000)	±.005
ANGLES	±
WEIGHT	10.0 OZ MAX

- NOTES
- 1 - CORROSION RESISTANT STEEL ENCLOSURE
  - 2 - SWITCH SEALED PER MIL-PRF-8805 SYMBOL 4
  - 3 - COINCIDENCE OF OPERATING AND RELEASING POINTS: .010 OF PLUNGER TRAVEL
  - 4 - CIRCUIT DIAGRAM AND CATALOG LISTING ARE SHOWN ON NAMEPLATE
  - 5 - HARDWARE MAY BE PACKAGED UNASSEMBLED PER MIL-PRF-8805

ANSI Y14.5M-1982 APPLIES