

DS2003

High Current/Voltage Darlington Drivers

General Description

The DS2003 is comprised of seven high voltage, high current NPN Darlington transistor pairs. All units feature common emitter, open collector outputs. To maximize their effectiveness, these units contain suppression diodes for inductive loads and appropriate emitter base resistors for leakage.

The DS2003 has a series base resistor to each Darlington pair, thus allowing operation directly with TTL or CMOS operating at supply voltages of 5.0V.

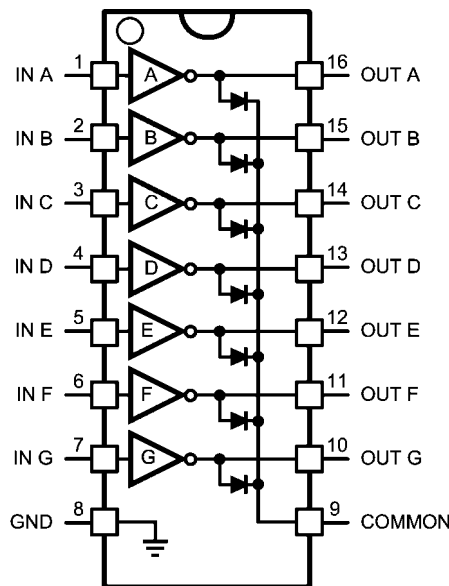
The DS2003 offers solutions to a great many interface needs, including solenoids, relays, lamps, small motors, and LEDs. Applications requiring sink currents beyond the capability of

a single output may be accommodated by paralleling the outputs.

Features

- Seven high gain Darlington pairs
- High output voltage ($V_{CE} = 50V$)
- High output current ($I_C = 350\text{ mA}$)
- TTL, PMOS, CMOS compatible
- Suppression diodes for inductive loads
- Extended temperature range

Connection Diagram



Top View

964701

Ordering Information

Operating Temperature Range	Package Number	Order Number	Shipped As
-40°C to +125°C	M16A	DS2003TM	Rail of 48
		DS2003TMX	Reel of 2500
	MTC16	DS2003TMT	-
-40°C to +85°C	M16A	DS2003CM	Rail of 48
		DS2003CMX	Reel of 2500
	N16E	DS2003CN	Rail of 25

Absolute Maximum Ratings *(Note 1)*

If Military/Aerospace specified devices are required, please contact the National Semiconductor Sales Office/Distributors for availability and specifications.

Storage Temperature Range	-65°C to +150°C
Operating Temperature Range, T_A	
DS2003T	-40°C to +125°C
DS2003C	-40°C to +85°C
Junction Temperature Range, T_J	-40°C to +150°C
Lead Temperature	
Soldering, 10 seconds	265°C
ESD Ratings	

Human Body Model	+/-2000V
Machine Model	+/- 200V
Package Thermal Dissipation Ratings	
N16E Package θ_{J-A}	88°C/W
M16A Package θ_{J-A}	115°C/W
Input Voltage	-0.3V to 30V
Output Voltage	55V
Emitter-Base Voltage	6.0V
Continuous Collector Current	500 mA
Continuous Base Current	25 mA

Electrical Characteristics

$T_A = 25^\circ\text{C}$, unless otherwise specified *(Note 2)*

Symbol	Parameter	Conditions	Min	Typ	Max	Units
I_{CEX}	Output Leakage Current	$T_A = 25^\circ\text{C}$, $V_{CE} = 50\text{V}$ <i>(Figure 1)</i>			20	μA
		$T_A = 85^\circ\text{C}$, $V_{CE} = 50\text{V}$ <i>(Figure 1)</i>			100	
		$T_A = 125^\circ\text{C}$, $V_{CE} = 50\text{V}$ <i>(Figure 1)</i> for DS2003T			150	
$V_{CE(Sat)}$	Collector-Emitter Saturation Voltage	$I_C = 350\text{mA}$, $I_B = 500\mu\text{A}$ <i>(Figure 3)</i> <i>(Note 3)</i>		1.25	1.6	V
		$I_C = 200\text{mA}$, $I_B = 350\mu\text{A}$ <i>(Figure 3)</i>		1.1	1.3	
		$I_C = 100\text{mA}$, $I_B = 250\mu\text{A}$ <i>(Figure 3)</i>		0.9	1.1	
$I_{I(ON)}$	Input Current	$V_I = 3.85\text{V}$ <i>(Figure 4)</i>		0.93	1.35	mA
$I_{I(OFF)}$	Input Current <i>(Note 4)</i>	$I_C = 500\mu\text{A}$ <i>(Figure 5)</i>	50	100		μA
		$T_A = +25^\circ\text{C}$	50	100		μA
		$T_A = +85^\circ\text{C}$	25	50		μA
		$T_A = +125^\circ\text{C}$ for DS2003T	10	25		μA
$V_{I(ON)}$	Input Voltage <i>(Note 5)</i>	$V_{CE} = 2.0\text{V}$, $I_C = 200\text{mA}$ <i>(Figure 6)</i>			2.4	V
		$V_{CE} = 2.0\text{V}$, $I_C = 250\text{mA}$ <i>(Figure 6)</i>			2.7	
		$V_{CE} = 2.0\text{V}$, $I_C = 300\text{mA}$ <i>(Figure 6)</i>			3.0	
C_I	Input Capacitance			15	30	pF
t_{PLH}	Turn-On Delay	$0.5 V_I$ to $0.5 V_O$			1.0	μs
t_{PHL}	Turn-Off Delay	$0.5 V_I$ to $0.5 V_O$			1.0	μs
I_R	Clamp Diode Leakage Current	$V_R = 50\text{V}$ <i>(Figure 7)</i>				
		$T_A = 25^\circ\text{C}$		5	10	μA
		$T_A = 85^\circ\text{C}$		10	50	μA
		$T_A = 125^\circ\text{C}$ for DS2003T		20	100	μA
V_F	Clamp Diode Forward Voltage	$I_F = 350\text{mA}$ <i>(Figure 8)</i>		1.7	2.0	V

Note 1: "Absolute Maximum Ratings" are those values beyond which the safety of the device cannot be guaranteed. They are not meant to imply that the devices should be operated at these limits. The tables of "Electrical Characteristics" provide conditions for actual device operation.

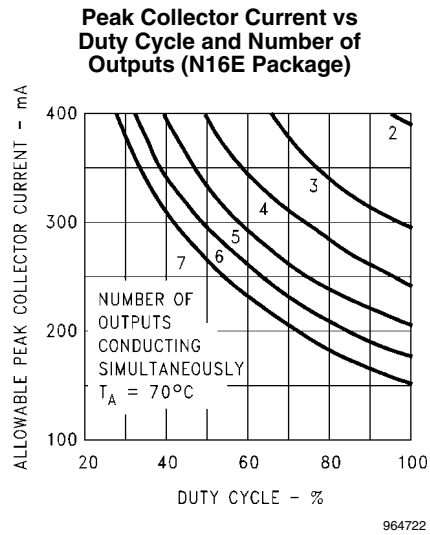
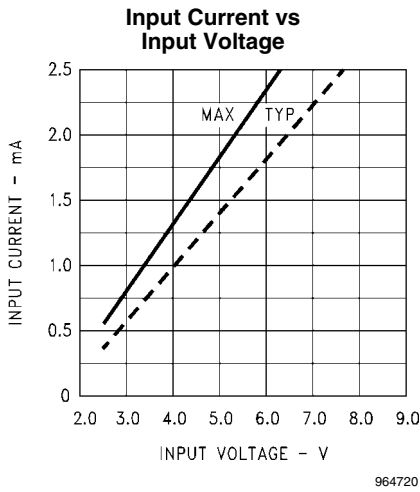
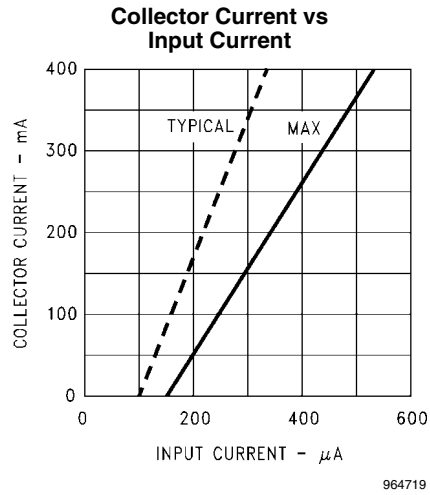
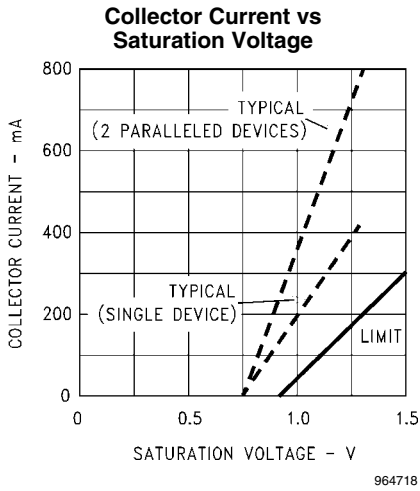
Note 2: All limits apply to the complete Darlington series except as specified for a single device type.

Note 3: Under normal operating conditions these units will sustain 350 mA per output with $V_{CE(Sat)} = 1.6\text{V}$ at 70°C with a pulse width of 20 ms and a duty cycle of 30%.

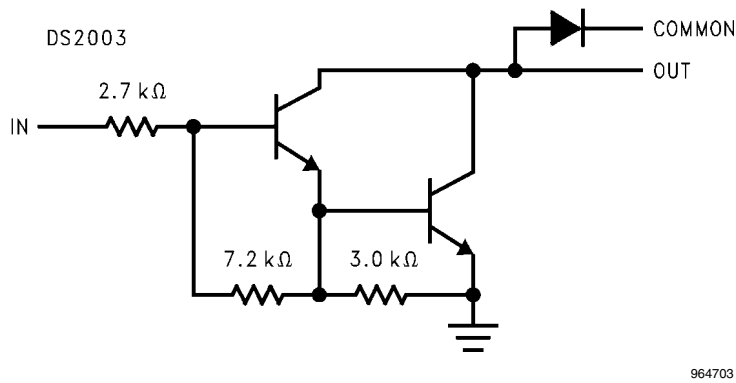
Note 4: The $I_{I(OFF)}$ current limit guaranteed against partial turn-on of the output.

Note 5: The $V_{I(ON)}$ voltage limit guarantees a minimum output sink current per the specified test conditions.

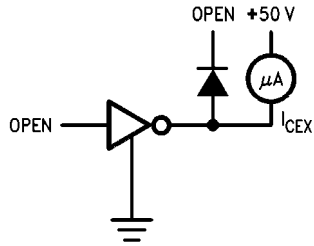
Typical Performance Characteristics



Equivalent Circuits

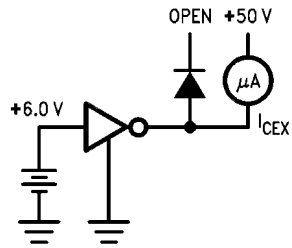


Test Circuits



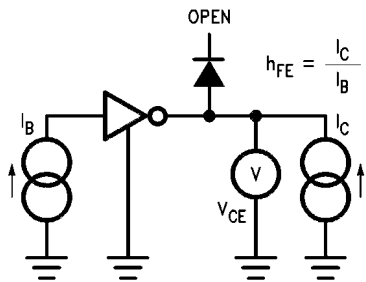
964707

FIGURE 1.



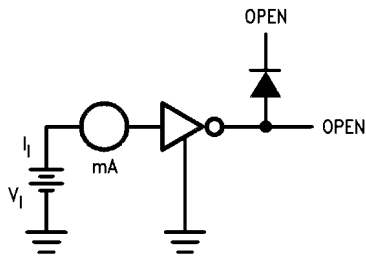
964708

FIGURE 2.



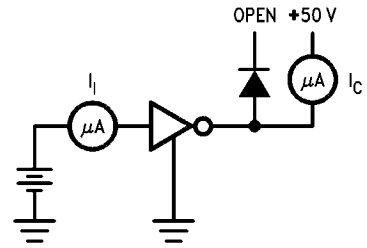
964709

FIGURE 3.



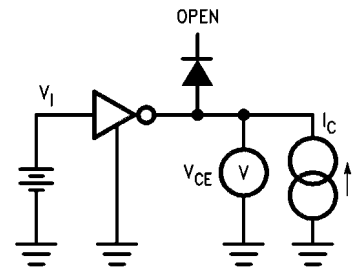
964710

FIGURE 4.



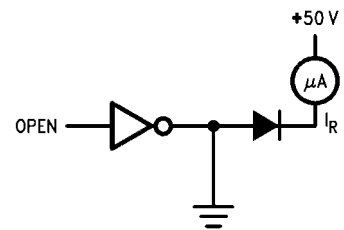
964711

FIGURE 5.



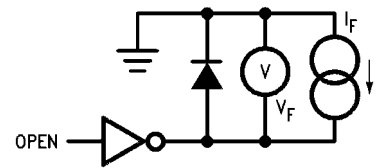
964712

FIGURE 6.



964713

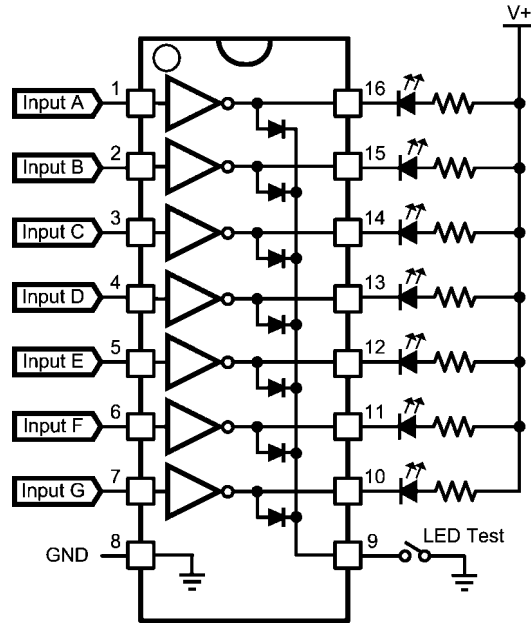
FIGURE 7.



964714

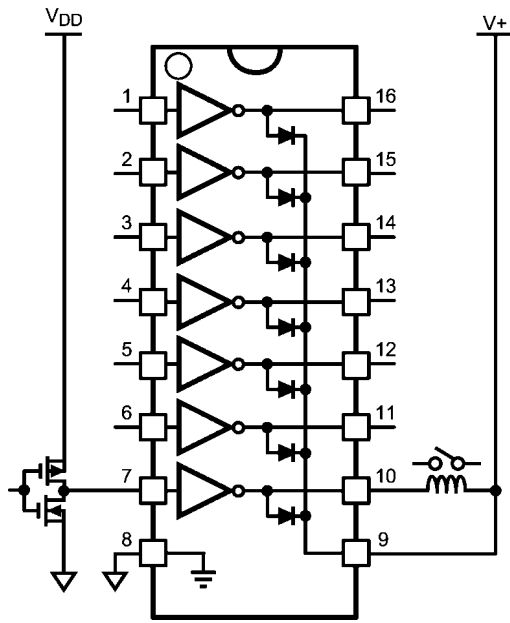
FIGURE 8.

Typical Applications



964724

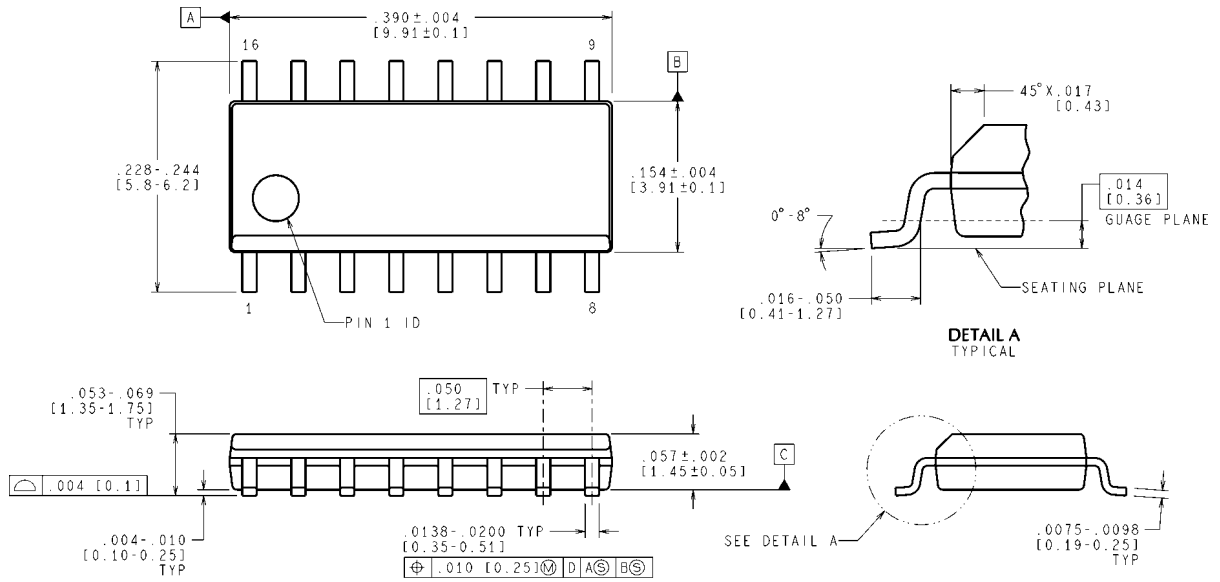
FIGURE 9. Typical LED Driver



964725

FIGURE 10. Typical Relay Driver

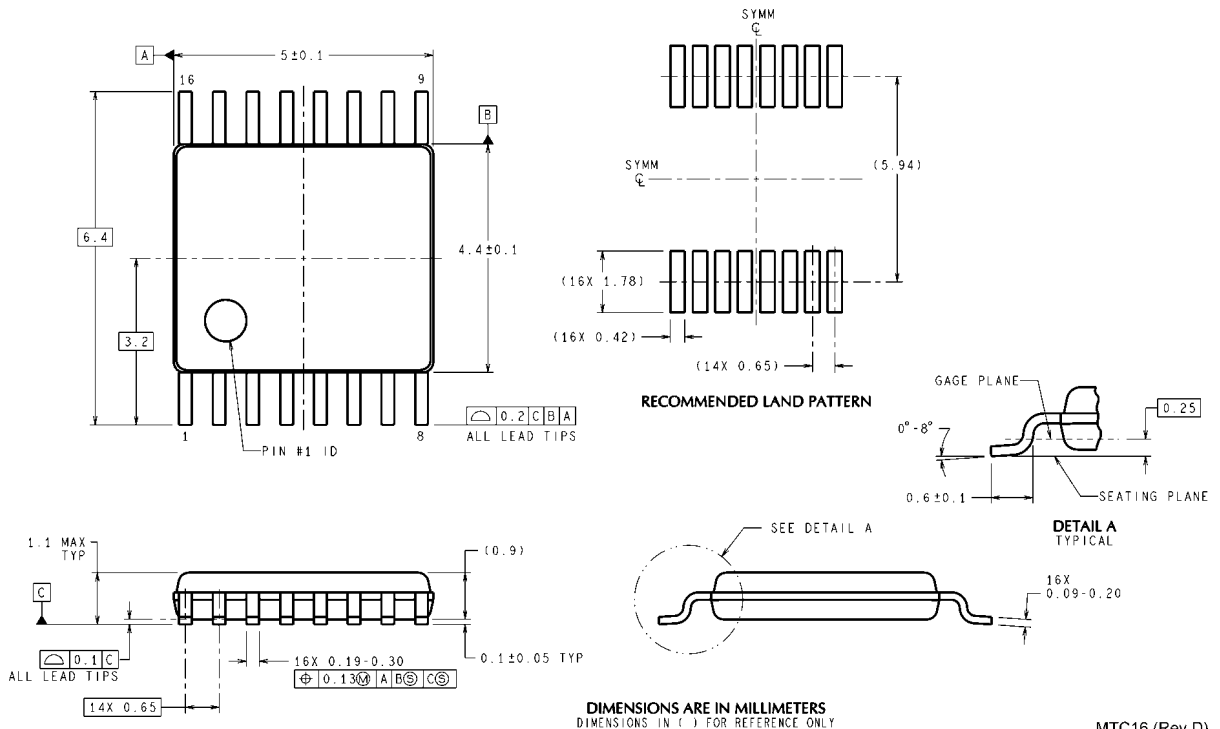
Physical Dimensions inches (millimeters) unless otherwise noted



CONTROLLING DIMENSION IS INCH
VALUES IN () ARE MILLIMETERS

M16A (Rev J)

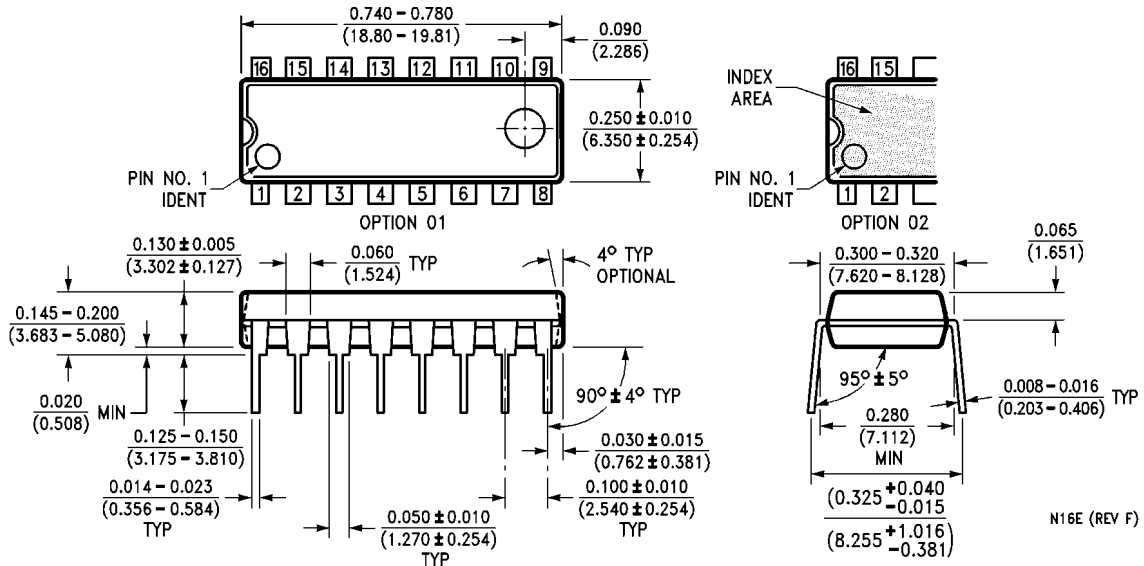
SOIC Package (M)
Order Number DS2003CM, DS2003TM
NS Package Number M16A



DIMENSIONS ARE IN MILLIMETERS
DIMENSIONS IN () FOR REFERENCE ONLY

MTC16 (Rev D)

TSSOP Package (MT)
Order Number DS2003TMT
NS Package Number MTC16



Molded Dual-In-Line Package (N)
Order Number DS2003CN
NS Package Number N16E

N16E (REV F)

Notes

For more National Semiconductor product information and proven design tools, visit the following Web sites at:
www.national.com

Products		Design Support	
Amplifiers	www.national.com/amplifiers	WEBENCH® Tools	www.national.com/webench
Audio	www.national.com/audio	App Notes	www.national.com/appnotes
Clock and Timing	www.national.com/timing	Reference Designs	www.national.com/refdesigns
Data Converters	www.national.com/adc	Samples	www.national.com/samples
Interface	www.national.com/interface	Eval Boards	www.national.com/evalboards
LVDS	www.national.com/lvds	Packaging	www.national.com/packaging
Power Management	www.national.com/power	Green Compliance	www.national.com/quality/green
Switching Regulators	www.national.com/switchers	Distributors	www.national.com/contacts
LDOs	www.national.com/lido	Quality and Reliability	www.national.com/quality
LED Lighting	www.national.com/led	Feedback/Support	www.national.com/feedback
Voltage References	www.national.com/vref	Design Made Easy	www.national.com/easy
PowerWise® Solutions	www.national.com/powerwise	Applications & Markets	www.national.com/solutions
Serial Digital Interface (SDI)	www.national.com/sdi	Mil/Aero	www.national.com/milaero
Temperature Sensors	www.national.com/tempensors	SolarMagic™	www.national.com/solarmagic
PLL/VCO	www.national.com/wireless	PowerWise® Design University	www.national.com/training

THE CONTENTS OF THIS DOCUMENT ARE PROVIDED IN CONNECTION WITH NATIONAL SEMICONDUCTOR CORPORATION ("NATIONAL") PRODUCTS. NATIONAL MAKES NO REPRESENTATIONS OR WARRANTIES WITH RESPECT TO THE ACCURACY OR COMPLETENESS OF THE CONTENTS OF THIS PUBLICATION AND RESERVES THE RIGHT TO MAKE CHANGES TO SPECIFICATIONS AND PRODUCT DESCRIPTIONS AT ANY TIME WITHOUT NOTICE. NO LICENSE, WHETHER EXPRESS, IMPLIED, ARISING BY ESTOPPEL OR OTHERWISE, TO ANY INTELLECTUAL PROPERTY RIGHTS IS GRANTED BY THIS DOCUMENT.

TESTING AND OTHER QUALITY CONTROLS ARE USED TO THE EXTENT NATIONAL DEEMS NECESSARY TO SUPPORT NATIONAL'S PRODUCT WARRANTY. EXCEPT WHERE MANDATED BY GOVERNMENT REQUIREMENTS, TESTING OF ALL PARAMETERS OF EACH PRODUCT IS NOT NECESSARILY PERFORMED. NATIONAL ASSUMES NO LIABILITY FOR APPLICATIONS ASSISTANCE OR BUYER PRODUCT DESIGN. BUYERS ARE RESPONSIBLE FOR THEIR PRODUCTS AND APPLICATIONS USING NATIONAL COMPONENTS. PRIOR TO USING OR DISTRIBUTING ANY PRODUCTS THAT INCLUDE NATIONAL COMPONENTS, BUYERS SHOULD PROVIDE ADEQUATE DESIGN, TESTING AND OPERATING SAFEGUARDS.

EXCEPT AS PROVIDED IN NATIONAL'S TERMS AND CONDITIONS OF SALE FOR SUCH PRODUCTS, NATIONAL ASSUMES NO LIABILITY WHATSOEVER, AND NATIONAL DISCLAIMS ANY EXPRESS OR IMPLIED WARRANTY RELATING TO THE SALE AND/OR USE OF NATIONAL PRODUCTS INCLUDING LIABILITY OR WARRANTIES RELATING TO FITNESS FOR A PARTICULAR PURPOSE, MERCHANTABILITY, OR INFRINGEMENT OF ANY PATENT, COPYRIGHT OR OTHER INTELLECTUAL PROPERTY RIGHT.

LIFE SUPPORT POLICY

NATIONAL'S PRODUCTS ARE NOT AUTHORIZED FOR USE AS CRITICAL COMPONENTS IN LIFE SUPPORT DEVICES OR SYSTEMS WITHOUT THE EXPRESS PRIOR WRITTEN APPROVAL OF THE CHIEF EXECUTIVE OFFICER AND GENERAL COUNSEL OF NATIONAL SEMICONDUCTOR CORPORATION. As used herein:

Life support devices or systems are devices which (a) are intended for surgical implant into the body, or (b) support or sustain life and whose failure to perform when properly used in accordance with instructions for use provided in the labeling can be reasonably expected to result in a significant injury to the user. A critical component is any component in a life support device or system whose failure to perform can be reasonably expected to cause the failure of the life support device or system or to affect its safety or effectiveness.

National Semiconductor and the National Semiconductor logo are registered trademarks of National Semiconductor Corporation. All other brand or product names may be trademarks or registered trademarks of their respective holders.

Copyright© 2010 National Semiconductor Corporation

For the most current product information visit us at www.national.com



**National Semiconductor
Americas Technical
Support Center**
Email: support@nsc.com
Tel: 1-800-272-9959

**National Semiconductor Europe
Technical Support Center**
Email: europe.support@nsc.com

**National Semiconductor Asia
Pacific Technical Support Center**
Email: ap.support@nsc.com

**National Semiconductor Japan
Technical Support Center**
Email: jpn.feedback@nsc.com