

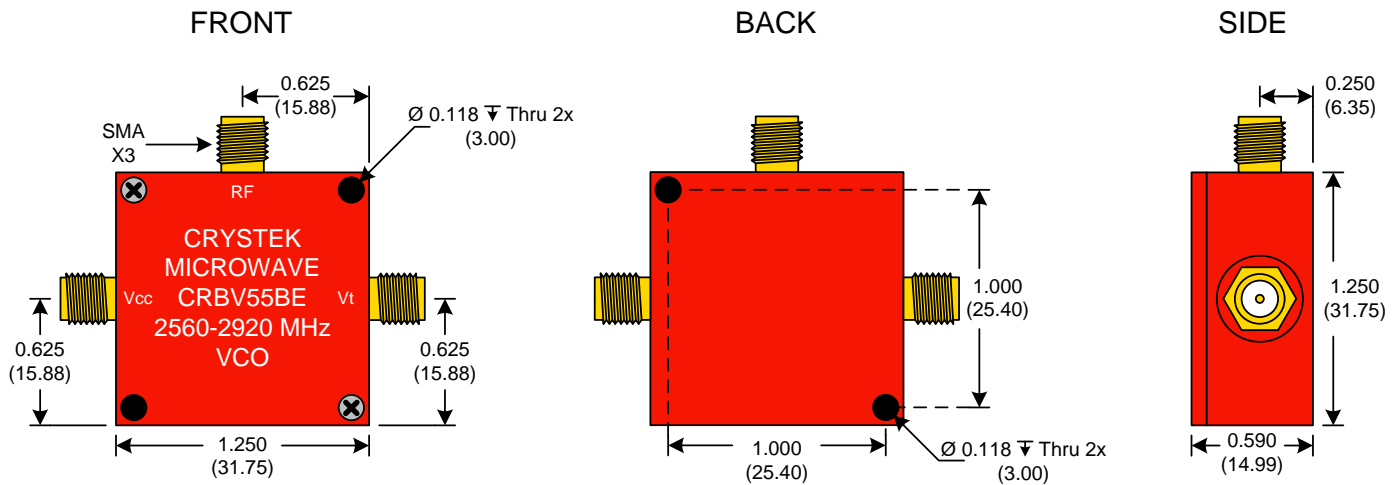


**CRYSTEK**  
**MICROWAVE**  
 A DIVISION OF CRYSTEK CORPORATION

**RedBox** VCO  
 CRBV55BE-2560-2920



| PERFORMANCE SPECIFICATION                       | MIN  | TYP  | MAX  | UNITS              |
|---|------|------|------|--------------------|
| Lower Frequency:                                |      |      | 2560 | MHz                |
| Upper Frequency:                                | 2920 |      |      | MHz                |
| Tuning Voltage:                                 | 0    |      | 18.0 | VDC                |
| Supply Voltage:                                 | 7.6  | 8.0  | 8.4  | VDC                |
| Output Power:                                   | -3.0 | 0    | +3.0 | dBm                |
| Supply Current:                                 |      |      | 35   | mA                 |
| Harmonic Suppression (2 <sup>nd</sup> Harmonic) |      |      | -10  | dBc                |
| Pushing:  |      | 0.5  | 1.5  | MHz/V              |
| Pulling, all Phases:                            |      | 0.5  | 1.0  | MHz pk-pk          |
| Tuning Sensitivity:                             |      | 28   |      | MHz/V              |
| Phase Noise @ 10kHz offset:                     |      | -102 |      | dBc/Hz             |
| Phase Noise @ 100kHz offset:                    |      | -120 |      | dBc/Hz             |
| Load Impedance:                                 |      | 50   |      | $\Omega$           |
| Input Capacitance:                              |      |      | 22   | pF                 |
| Operating Temperature Range:                    | -40  |      | +85  | $^{\circ}\text{C}$ |
| Storage Temperature Range:                      | -45  |      | +90  | $^{\circ}\text{C}$ |



● Unless otherwise specified, Dimensions are in:  $\frac{\text{IN}}{\text{mm}}$

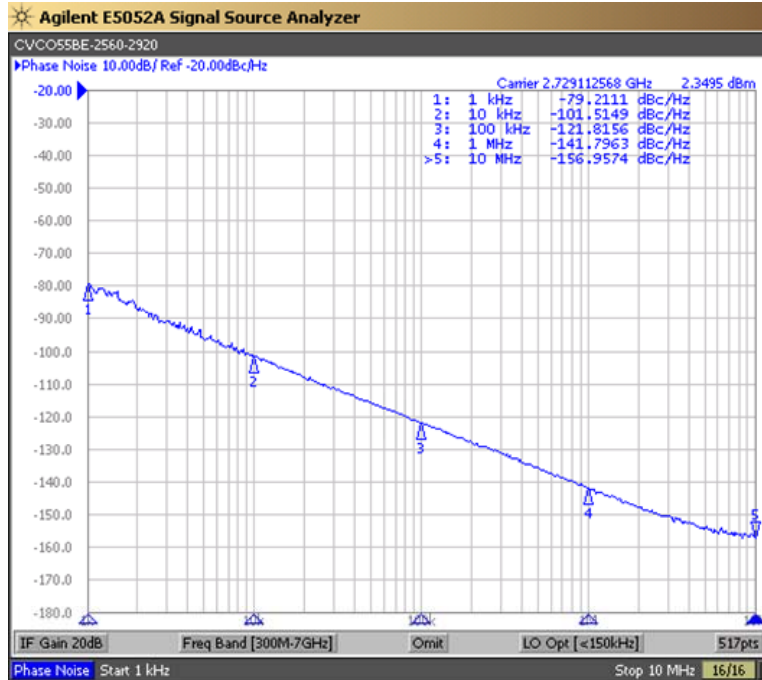
**Product Control:**

|                      |                    |               |           |
|----------------------|--------------------|---------------|-----------|
| Crystek Part Number: | CRBV55BE-2560-2920 | Release Date: | 12-Jan-09 |
| Revision Level:      | C                  | Responsible:  | C. Vales  |

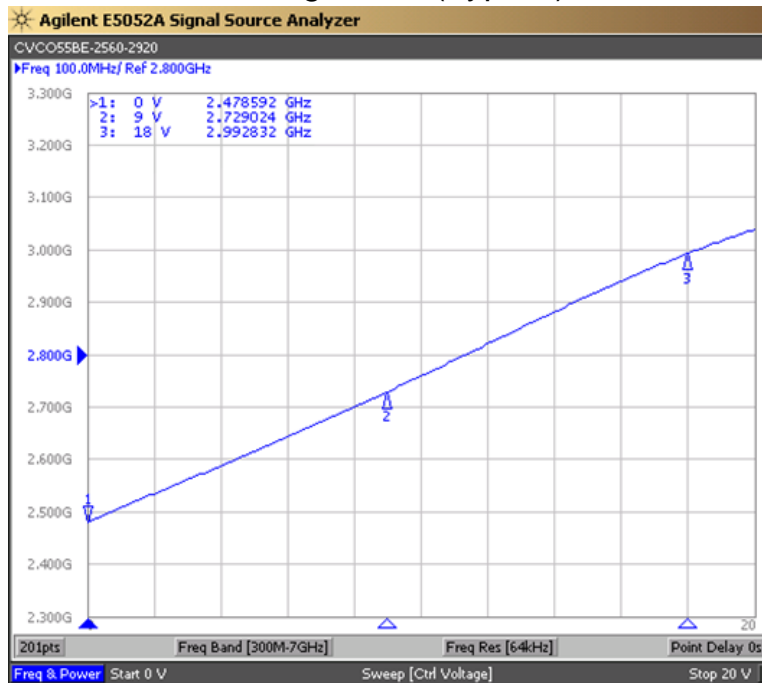




Phase Noise (1 Hz BW, Typical)



Tuning Curve (Typical)



**Product Control:**

|                      |                    |               |           |
|----------------------|--------------------|---------------|-----------|
| Crystek Part Number: | CRBV55BE-2560-2920 | Release Date: | 12-Jan-09 |
| Revision Level:      | C                  | Responsible:  | C. Vales  |

Specification is subject to change without notice