

International
IOR Rectifier

HFA04SD60S

Ultrafast, Soft Recovery Diode

Features

- Ultrafast Recovery Time
- Ultrasoft Recovery
- Very Low I_{RRM}
- Very Low Q_{rr}
- Guaranteed Avalanche
- Specified at Operating Temperature

$$t_{rr} = 38\text{ns}$$

$$I_{F(AV)} = 4\text{Amp}$$

$$V_R = 600\text{V}$$

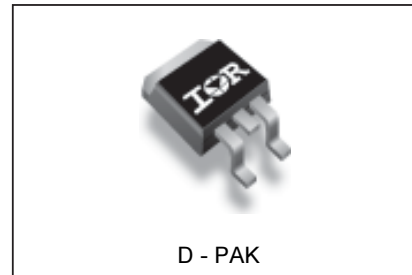
Benefits

- Reduced RFI and EMI
- Reduced Power Loss in Diode and Switching Transistor
- Higher Frequency Operation
- Reduced Snubbing
- Reduced Parts Count

Description/ Applications

These diodes are optimized to reduce losses and EMI/RFI in high frequency power conditioning systems. The softness of the recovery eliminates the need for a snubber in most applications. These devices are ideally suited for freewheeling, flyback, power converters, motor drives, and other applications where high speed and reduced switching losses are design requirements.

Package Outline



Absolute Maximum Ratings

	Parameters	Max	Units
V_{RRM}	Cathode-to-Anode Voltage	600	V
$I_{F(AV)}$	Continuous Forward Current $T_C = 100^\circ\text{C}$	4	A
I_{FSM}	Single Pulse Forward Current	25	
I_{FRM}	Peak Repetitive Forward Current $T_C = 116^\circ\text{C}$	16	
P_D	Maximum Power Dissipation $T_C = 100^\circ\text{C}$	10	W
T_J, T_{STG}	Operating Junction and Storage Temperatures	- 55 to 150	$^\circ\text{C}$

Electrical Characteristics @ T_J = 25°C (unless otherwise specified)

Parameters	Min	Typ	Max	Units	Test Conditions
V _{BR} , V _r Breakdown Voltage, Blocking Voltage	600	-	-	V	I _R = 100μA
V _F Forward Voltage See Fig. 1	-	1.5	1.8	V	I _F = 4A
	-	1.8	2.2	V	I _F = 8A
	-	1.4	1.7	V	I _F = 4A, T _J = 125°C
I _R Max. Reverse Leakage Current	-	0.17	3.0	μA	V _R = V _R Rated
	-	44	300	μA	T _J = 125°C, V _R = 0.8 x V _R Rated
C _T Junction Capacitance	-	4	8	pF	V _R = 200V
L _S Series Inductance	-	8.0	-	nH	Measured lead to lead 5mm from package body

Dynamic Recovery Characteristics @ T_J = 25°C (unless otherwise specified)

Parameters	Min	Typ	Max	Units	Test Conditions
t _{rr} Reverse Recovery Time	-	17	-	ns	I _F = 1.0A, di _F /dt = 200A/μA, V _R = 30V
	-	28	42		T _J = 25°C
	-	38	57		T _J = 125°C
I _{RRM} Peak Recovery Current	-	2.9	5.2	A	T _J = 25°C
	-	3.7	6.7		T _J = 125°C
Q _{rr} Reverse Recovery Charge	-	40	60	nC	T _J = 25°C
	-	70	105		T _J = 125°C
di _(rec) /dt Rate of Fall of recovery Current	-	280	-	A/μs	T _J = 25°C
	-	235	-		T _J = 125°C

Thermal - Mechanical Characteristics

Parameters	Min	Typ	Max	Units
T _J Max. Junction Temperature Range	-	-	-55 to 150	°C
T _{Stg} Max. Storage Temperature Range	-	-	-55 to 150	
T _S Soldering Temperature, 10 sec	-	-	240	
R _{thJC} Thermal Resistance, Junction to Case	-	-	5.0	°C/ W
R _{thJA} ^① Thermal Resistance, Junction to Ambient	-	-	80	
Wt Weight	-	2.0	-	g
	-	0.07	-	(oz)
T Mounting Torque	6.0	-	12	Kg*cm
	5.0	-	10	lbf*in

① Typical Socket Mount

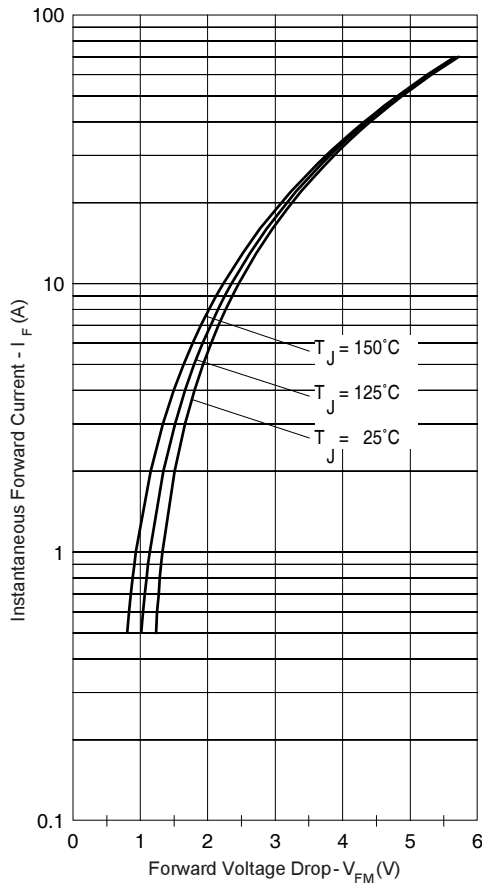


Fig. 1 - Typical Forward Voltage Drop Characteristics

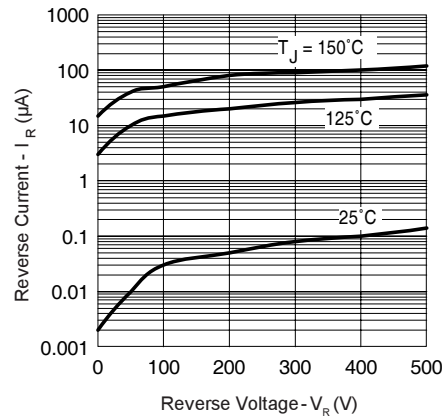


Fig. 2 - Typical Values Of Reverse Current Vs. Reverse Voltage

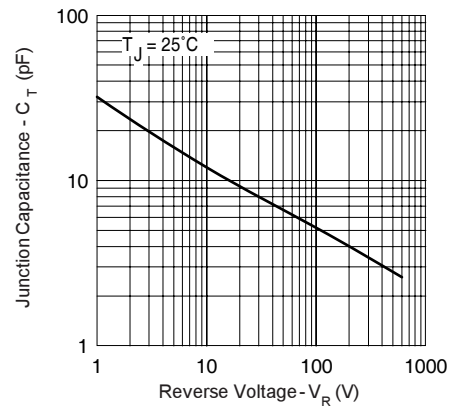


Fig. 3 - Typical Junction Capacitance Vs. Reverse Voltage

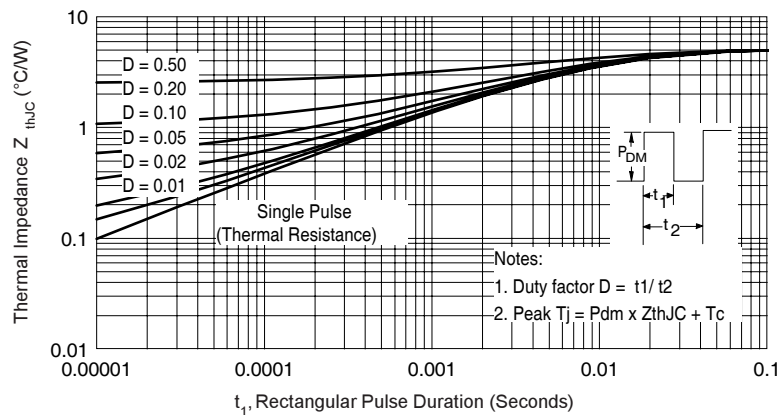


Fig. 4 - Max. Thermal Impedance Z_{thJC} Characteristics

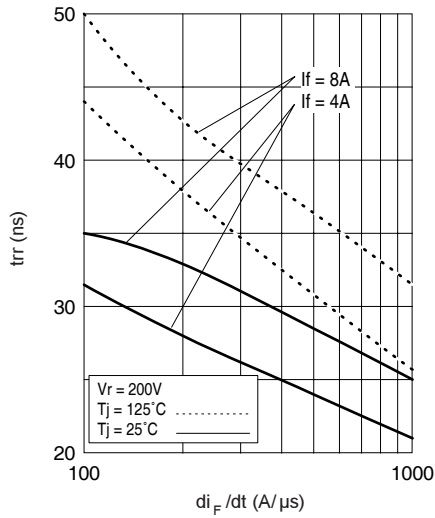


Fig. 5 - Typical Reverse Recovery vs. di_F/dt

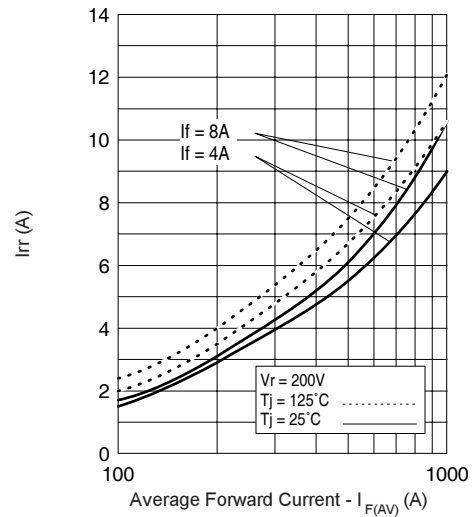


Fig. 6 - Typical Recovery Current vs. di_F/dt

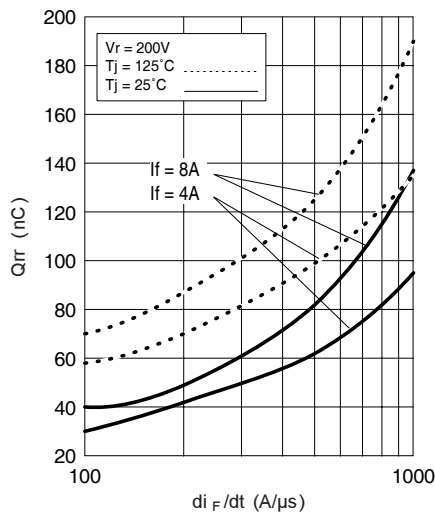


Fig. 7 - Typical Stored Charge vs. di_F/dt

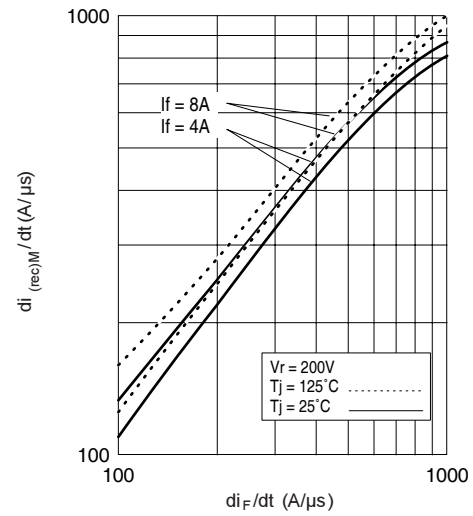


Fig. 8 - Typical $di_{(rec)M}/dt$ vs. di_F/dt

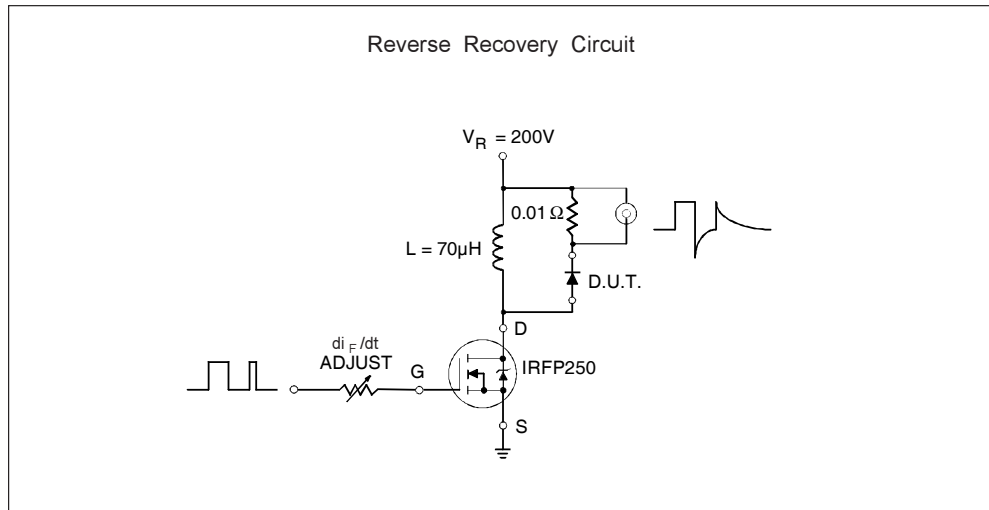


Fig. 9- Reverse Recovery Parameter Test Circuit

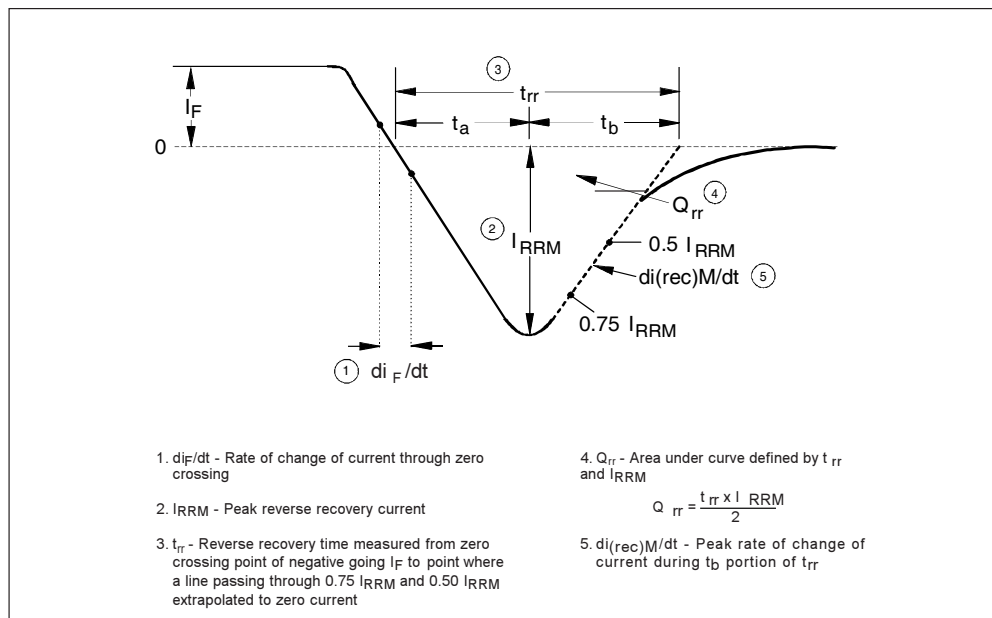
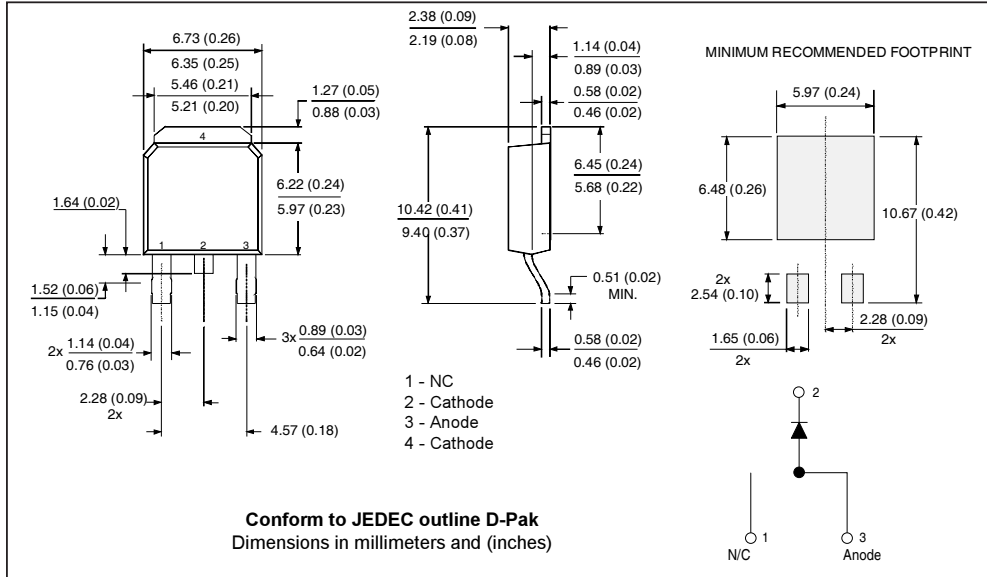
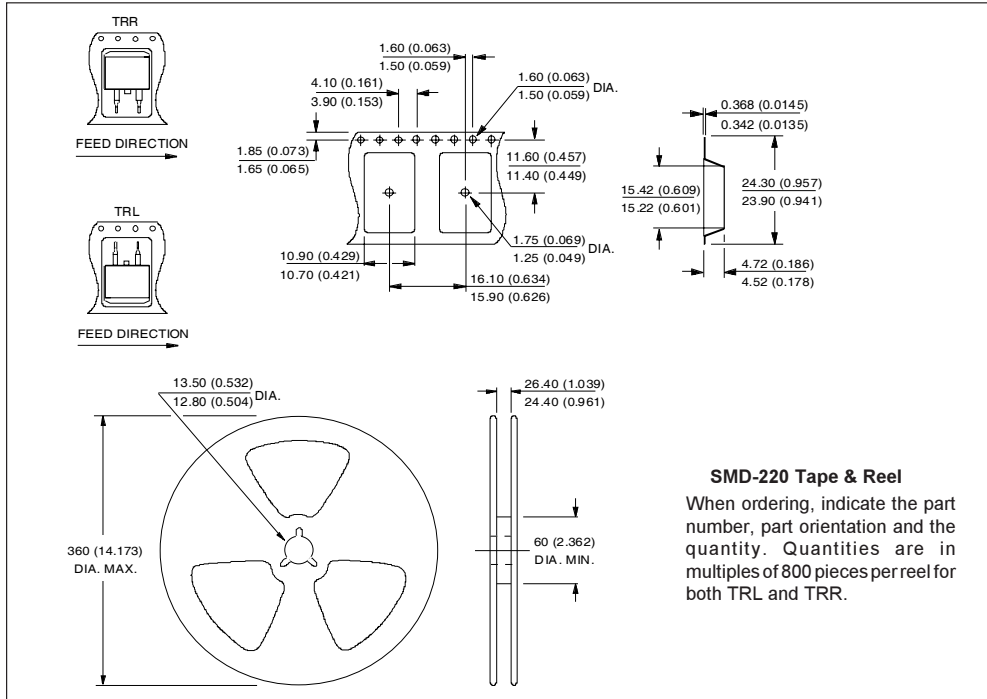


Fig. 10 - Reverse Recovery Waveform and Definitions

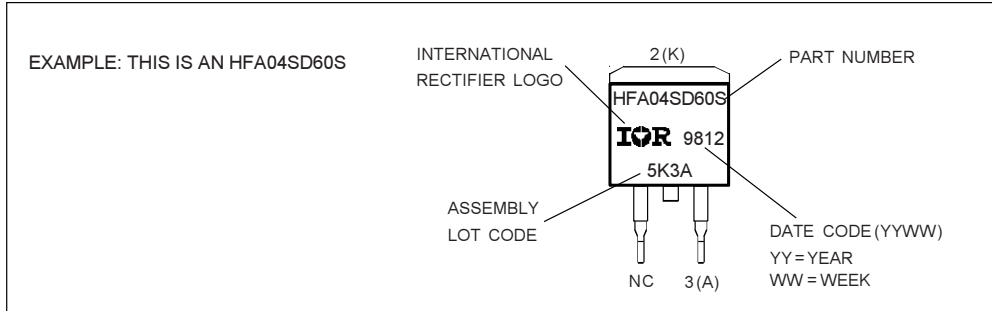
Outline Table



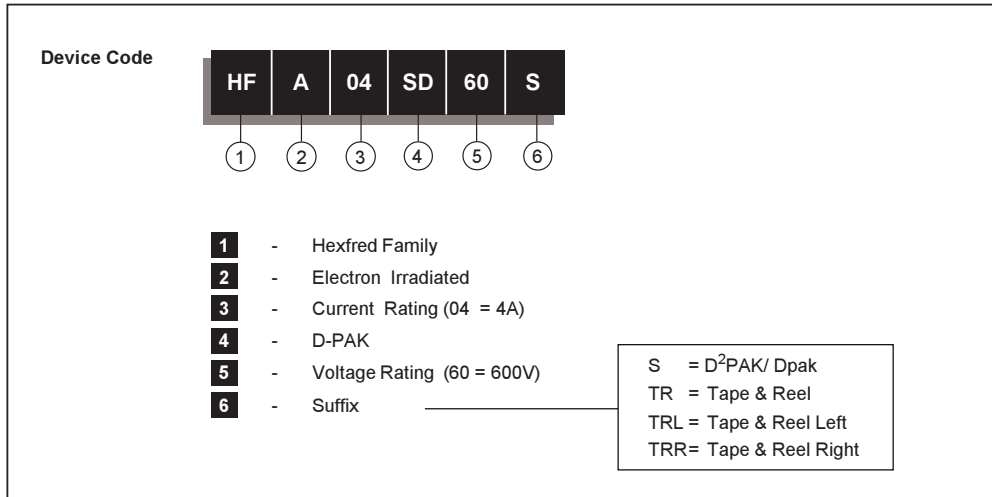
Tape & Reel Information



Marking Information



Ordering Information Table



Data and specifications subject to change without notice.
 This product has been designed and qualified for Industrial Level.
 Qualification Standards can be found on IR's Web site.



Notice

The products described herein were acquired by Vishay Intertechnology, Inc., as part of its acquisition of International Rectifier's Power Control Systems (PCS) business, which closed in April 2007. Specifications of the products displayed herein are pending review by Vishay and are subject to the terms and conditions shown below.

Specifications of the products displayed herein are subject to change without notice. Vishay Intertechnology, Inc., or anyone on its behalf, assumes no responsibility or liability for any errors or inaccuracies.

Information contained herein is intended to provide a product description only. No license, express or implied, by estoppel or otherwise, to any intellectual property rights is granted by this document. Except as provided in Vishay's terms and conditions of sale for such products, Vishay assumes no liability whatsoever, and disclaims any express or implied warranty, relating to sale and/or use of Vishay products including liability or warranties relating to fitness for a particular purpose, merchantability, or infringement of any patent, copyright, or other intellectual property right.

The products shown herein are not designed for use in medical, life-saving, or life-sustaining applications. Customers using or selling these products for use in such applications do so at their own risk and agree to fully indemnify Vishay for any damages resulting from such improper use or sale.

International Rectifier®, IR®, the IR logo, HEXFET®, HEXSense®, HEXDIP®, DOL®, INTERO®, and POWIRTRAIN® are registered trademarks of International Rectifier Corporation in the U.S. and other countries. All other product names noted herein may be trademarks of their respective owners.