

CMOS 3.2 x 2.5 x 0.9mm 32.768kHz SMD CRYSTAL OSCILLATOR

ASHEK SERIES



3.2 x 2.5 x 0.9 mm



FEATURES:

- Ultra low μA current consumption with CMOS output
- Miniature ceramic package (3.2 x 2.5 x 0.9mm)
- Operating Temp -40°C to $+85^{\circ}\text{C}$
- Start up time less than 1 sec with supply voltage 1.5 to 5.0V
- Tri-state function
- Pb-free reflow capable

APPLICATIONS:

- General purpose clock generator for digital systems
- Clock drivers for Real Time Clocks
- Timekeeping in network servers and computers
- Electricity, gas and water metering
- Portable field communication
- Mobile phone
- Clock & Data recovery
- CCD clock for VTR camera
- Computers and peripherals
- Portable MP3 players & games

STANDARD SPECIFICATIONS:

PARAMETERS	
ABRACON P/N	ASHEK Series
Frequency range:	32.768kHz
Operating temperature:	-20°C to $+70^{\circ}\text{C}$ (see options)
Storage temperature:	-55°C to $+125^{\circ}\text{C}$
Frequency tolerance (at $+25^{\circ}\text{C}$):	± 15 ppm to ± 25 ppm @ $+25^{\circ}\text{C}$
Frequency stability (ref to $+25^{\circ}\text{C}$):	-90 to $+10$ ppm over -20 to $+70^{\circ}\text{C}$; referenced to frequency measured @ $+25^{\circ}\text{C}$
Supply voltage (Vdd):	$3.3\text{V} \pm 5\%$ (see options. 1.5 to 5.5V)
Supply current:	1.5 μA max. (no load), Vdd= $+3.3\text{V}$ 2.5 μA max. (no load), Vdd= $+5.5\text{V}$
Symmetry:	40/60 % @ 1/2Vdd
Rise and fall time (Tr/Tf):	200ns max. (10% to 90%Vdd, CL=15pF)
Startup time:	1 sec max. for 0.9*Vdd @ $+25^{\circ}\text{C}$
Output load:	CMOS (15 pF max.)
Output voltage (CL=15pF @ $+25^{\circ}\text{C}$):	VOH = Vdd-0.4V min. VOL = 0.4V max.
Tri-state function:	*1* (VIH ≥ 0.9 *Vdd) or High Z (N.C) *0* (VIL < 0.1 *Vdd) : Hi Z
Aging (per year) $25^{\circ}\text{C} \pm 5^{\circ}\text{C}$:	± 5 ppm max.

TABLE 1 Supply Current with no load

Vdd (V)	Supply Current (μA typ.)	Supply Current (μA max.)
3.3 (STD)	0.9	1.5
5	1.8	2.5
2.8	0.8	1.5
1.8	0.6	1.5
1.5	0.5	1.5

OPTIONS & PART IDENTIFICATION:

(Left blank if standard)

ASHEK -32.768kHz- -

Supply Voltage
Blank: 3.3V
2: 5.0V
3: 2.8V
4: 1.8V
5: 1.5V

Frequency Temp Characteristics
Blank: -20°C to $+70^{\circ}\text{C}$ / -90 to $+10$ ppm
L: -40°C to $+85^{\circ}\text{C}$ / -140 to $+10$ ppm

Packaging
Blank: Bulk
T: Tape and Reel (1kpcs)
T3: Tape and Reel (3kpcs)

ABRACON IS
ISO9001:2008
CERTIFIED



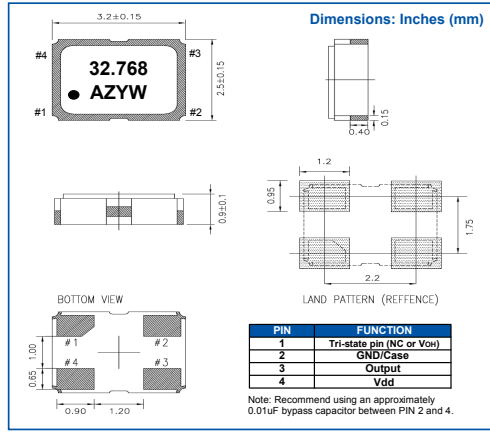
Visit www.abracon.com for Terms & Conditions of Sale Revised: 08.04.10
30332 Esperanza, Rancho Santa Margarita, California 92688
tel 949-546-8000 | fax 949-546-8001 | www.abracon.com

CMOS 3.2 x 2.5 x 0.9mm 32.768kHz SMD CRYSTAL OSCILLATOR

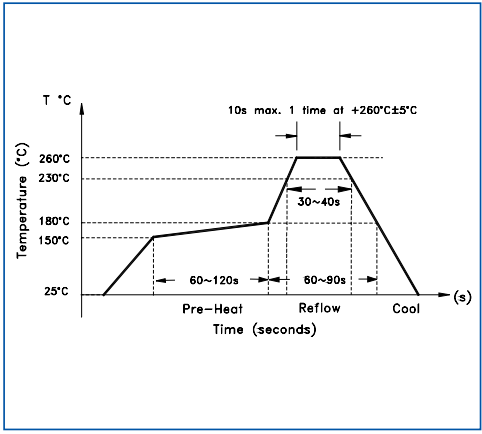
ASHEK SERIES



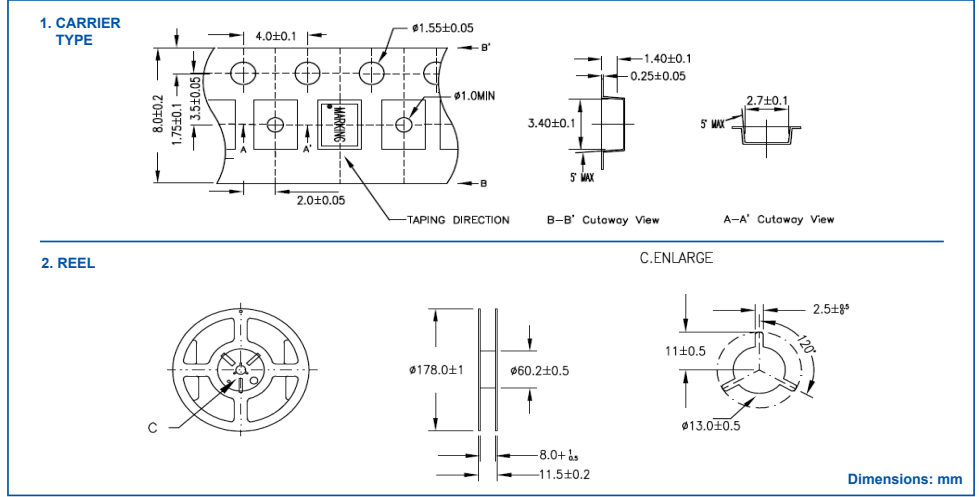
OUTLINE DRAWING:



REFLOW PROFILE:



TAPE & REEL: Tape and reel 1,000/3,000pcs/reel



Need a test socket for the ASHEK Series? To view compatible **PRECISION TEST & BURN-IN SOCKETS** for these parts, [click here](#). P/N AXS-3225-04-06

ATTENTION: Abracon Corporation's products are COTS - Commercial-Off-The-Shelf products; suitable for Commercial, Industrial and, where designated, Automotive Applications. Abracon's products are not specifically designed for Military, Aviation, Aerospace, Life-dependant Medical applications or any application requiring high reliability where component failure could result in loss of life and/or property. For applications requiring high reliability and/or presenting an extreme operating environment, written consent and authorization from Abracon Corporation is required. Please contact Abracon Corporation for more information.



Visit www.abracon.com for Terms & Conditions of Sale **Revised: 08.04.10**
 30332 Esperanza, Rancho Santa Margarita, California 92688
 tel 949-546-8000 | fax 949-546-8001 | www.abracon.com