

# SMD Super Fast Recovery Rectifiers



## CSFC301-G Thru. CSFC305-G

Reverse Voltage: 50 to 600 Volts

Forward Current: 3.0 Amp

RoHS Device

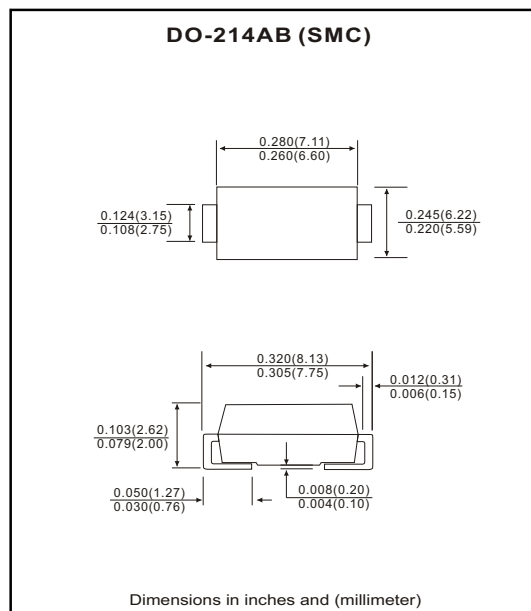


### Features

- Ideal for surface mount applications.
- Easy pick and place.
- Plastic package has Underwriters Lab. flammability classification 94V-0.
- Super fast recovery time 35nS.
- Built-in strain relief.
- Low forward voltage drop.

### Mechanical data

- Case: JEDEC DO-214AC, molded plastic.
- Terminals: solderable per MIL-STD-750, method 2026.
- Polarity: Color band denotes cathode end.
- Approx. weight: 0.21 grams



### Maximum Ratings and Electrical Characteristics

Parameter	Symbol	CSFC301-G	CSFC302-G	CSFC303-G	CSFC304-G	CSFC305-G	Units
Max. repetitive peak reverse voltage	$V_{RRM}$	50	100	200	400	600	V
Max. DC blocking voltage	$V_{DC}$	50	100	200	400	600	V
Max. RMS voltage	$V_{RMS}$	35	70	140	280	420	V
Peak surge forward current, 8.3ms single half sine-wave superimposed on rate load (JEDEC method)	$I_{FSM}$	100					A
Max. average forward current	$I_o$	3.0					A
Max. instantaneous forward voltage at 3.0A	$V_F$	0.95		1.25		1.3	V
Reverse recovery time	$T_{rr}$	35				50	nS
Max. DC reverse current at $T_A=25^{\circ}C$ rated DC blocking voltage $T_A=100^{\circ}C$	$I_R$	5.0 250					$\mu A$
Max. thermal resistance (Note 1)	$R_{\theta JL}$	16					$^{\circ}C/W$
Max. operating junction temperature	$T_J$	150					$^{\circ}C$
Storage temperature	$T_{STG}$	-55 to +150					$^{\circ}C$

Notes: 1. Thermal resistance from junction to lead mounted on P.C.B. with 8.0x8.0 mm<sup>2</sup> copper pad area.

## RATING AND CHARACTERISTIC CURVES (CSFC301-G thru CSFC305-G)

Fig.1 Reverse Characteristics

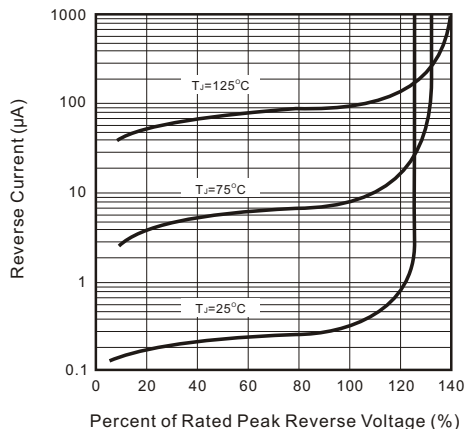


Fig.2 Forward Characteristics

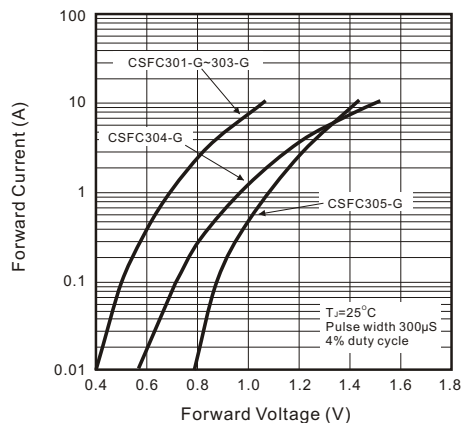


Fig.3 Junction Capacitance

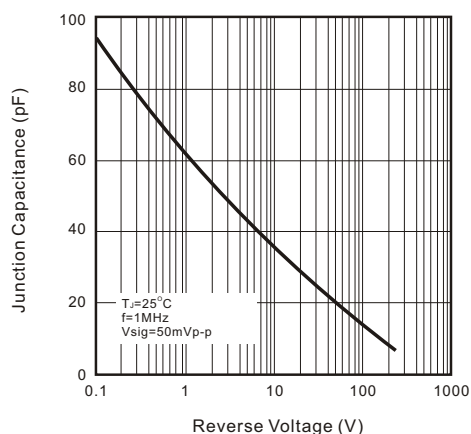


Fig.4 Non-repetitive Forward Surge Current

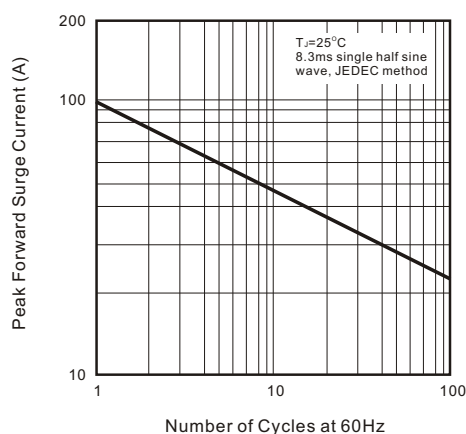


Fig.5 Test Circuit Diagram and Reverse Recovery Time Characteristics

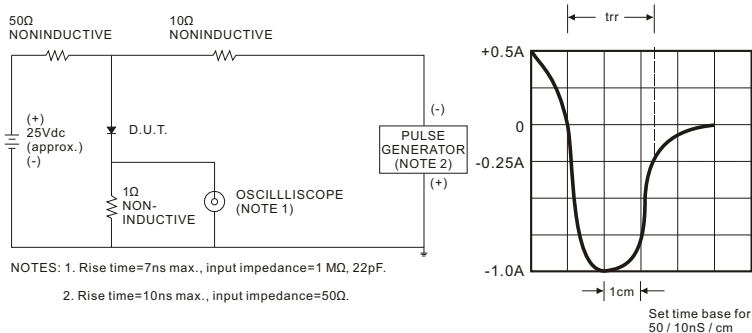


Fig.6 Current Derating Curve

