



Micro Commercial Components

Micro Commercial Components
20736 Marilla Street Chatsworth
CA 91311
Phone: (818) 701-4933
Fax: (818) 701-4939

RB751S-40

Features

- Low Voltage, Low Inductance
- High Current Rectifier Schottky Diode
- For Power Supply
- Case Material: Molded Plastic. UL Flammability Classification Rating 94V-0 and MSL Rating 1
- Lead Free Finish/RoHS Compliant ("P" Suffix designates RoHS Compliant. See ordering information)
- Marking: 5

Maximum Ratings

Symbol	Rating	Rating	Unit
V_{RM}	Peak Reverse Voltage	40	V
V_R	DC Reverse Voltage	30	V
I_o	Mean Rectifying Current	30	mA
I_{FSM}	Peak Forward Surge Current	200	mA
T_J	Junction Temperature	125	°C
T_{STG}	Storage Temperature	-55 to +125	°C

Electrical Characteristics @ 25°C Unless Otherwise Specified

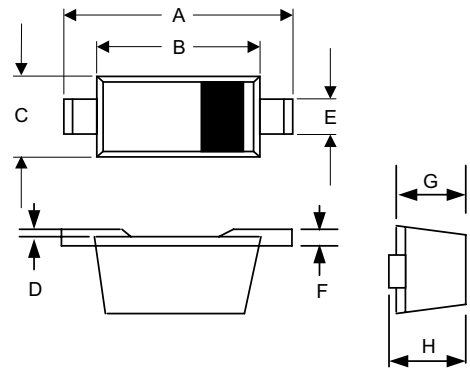
Symbol	Parameter	Min	Typ	Max	Units
--------	-----------	-----	-----	-----	-------

OFF CHARACTERISTICS

V_F	Forward Voltage ($I_f=1mA_{dc}$)	---	---	0.37	Vdc
I_R	Reverse Current ($V_R=30V_{dc}$)	---	---	0.5	μA_{dc}
C_T	Capacitance between Terminals ($V_R=1V, f=1MHz$)	---	2	---	pF

40 Volts Schottky Barrier Diode

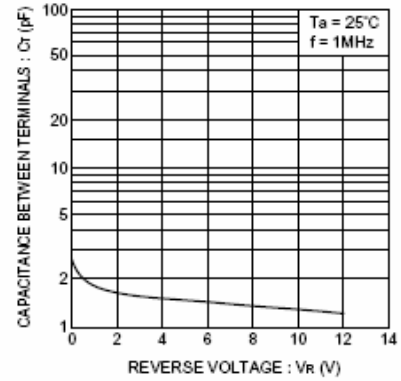
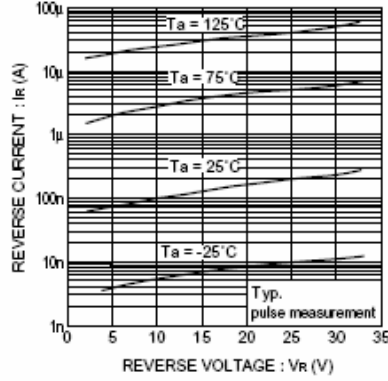
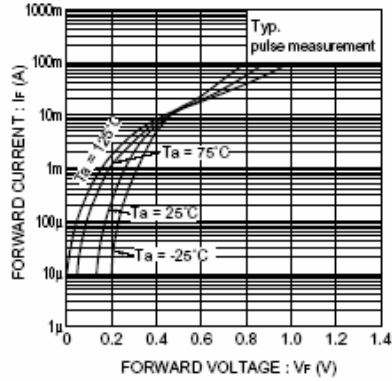
SOD-523



DIMENSIONS

DIM	INCHES		MM		NOTE
	MIN	MAX	MIN	MAX	
A	.059	.067	1.50	1.70	
B	.043	.051	1.10	1.30	
C	.030	.033	0.75	0.85	
D	.001	.003	0.01	0.07	
E	.010	.014	0.25	0.35	
F	.003	.006	0.08	0.15	
G	.020	.028	0.50	0.70	
H	.020	.031	0.51	0.77	

● Electrical characteristic curves (Ta = 25°C)





Micro Commercial Components

Ordering Information

Device	Packing
(Part Number)-TP	Tape&Reel;3Kpcs/Reel

IMPORTANT NOTICE

Micro Commercial Components Corp. reserves the right to make changes without further notice to any product herein to make corrections, modifications, enhancements, improvements, or other changes. *Micro Commercial Components Corp.* does not assume any liability arising out of the application or use of any product described herein; neither does it convey any license under its patent rights, nor the rights of others. The user of products in such applications shall assume all risks of such use and will agree to hold *Micro Commercial Components Corp.* and all the companies whose products are represented on our website, harmless against all damages.

APPLICATIONS DISCLAIMER

Products offer by *Micro Commercial Components Corp.* are not intended for use in Medical, Aerospace or Military Applications.

www.mccsemi.com