

CRYSTAL OSCILLATOR SPXO

SG-310 series

- Frequency range : 2 MHz to 80 MHz
- Supply voltage : 1.8 V Typ. / 2.5 V Typ. / 3.3 V Typ.
- Current consumption : 1.5 mA Typ.
(SEF 1.8 V No load condition 48 MHz)
- Function : Standby(\overline{ST})
- External dimensions : 3.2 × 2.5 × 1.05 t (mm) Typ.



Product Number (please contact us)
Q33310xx0xxx00



Actual size

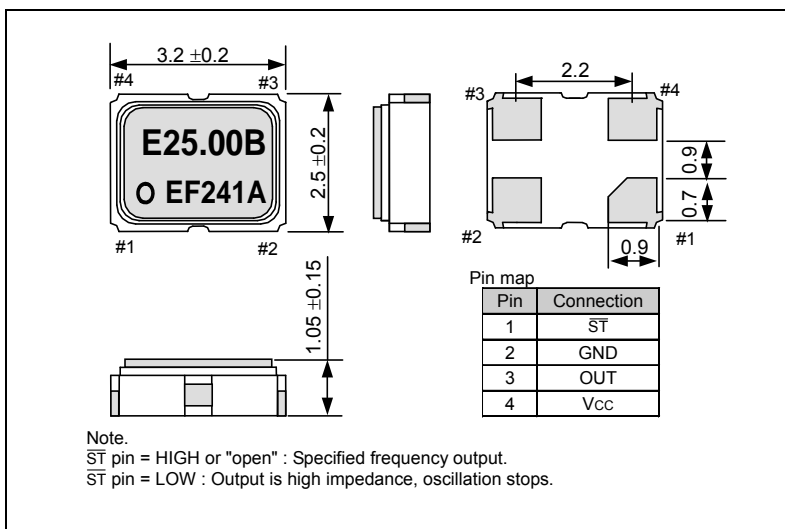


Specifications (characteristics)

Item	Symbol	Specifications					Remarks
		SG-310 SEF	SG-310 SDF	SG-310 SCF	SG-310 SDN	SG-310 SCN	
Output frequency range	f_0	2.000 MHz to 48.000 MHz			3.000 MHz to 80.000 MHz		
Supply voltage	V_{CC}	1.8 V Typ. 1.6 V to 2.2 V	2.5 V Typ. 2.2 V to 3.0 V	3.3 V Typ. 2.7 V to 3.6 V	2.5 V Typ. 2.2 V to 2.7 V	3.3 V Typ. 2.7 V to 3.6 V	
Temperature range	Storage temperature	-40 °C to +125 °C					Store as bare product after unpacking
	Operating temperature	-40 °C to +85 °C					
Frequency tolerance	f_{tol}	B: $\pm 50 \times 10^{-6}$, C: $\pm 100 \times 10^{-6}$			B: $\pm 50 \times 10^{-6}$, C: $\pm 100 \times 10^{-6}$		-20 °C to +70 °C
		M: $\pm 100 \times 10^{-6}$			M: $\pm 100 \times 10^{-6}$		-40 °C to +85 °C
		-			D: $\pm 20 \times 10^{-6}$, S: $\pm 25 \times 10^{-6}$		-20 °C to +70 °C
		-			R: $\pm 25 \times 10^{-6}$		-30 °C to +85 °C
		-			P: $\pm 20 \times 10^{-6}$		-30 °C to +85 °C
Current consumption	I_{CC}	1.5 mA Max.	1.5 mA Max.	1.5 mA Max.	4.0 mA Max.	5.0 mA Max.	No load condition, 2 MHz <math>f_0 \leq 4 MHz
		1.5 mA Max.	1.5 mA Max.	2.0 mA Max.			No load condition, 4 MHz <math>f_0 \leq 8 MHz
		1.5 mA Max.	2.0 mA Max.	2.5 mA Max.			No load condition, 8 MHz <math>f_0 \leq 16 MHz
		2.0 mA Max.	2.0 mA Max.	2.5 mA Max.			No load condition, 16 MHz <math>f_0 \leq 25 MHz
		2.0 mA Max.	2.5 mA Max.	3.5 mA Max.			No load condition, 25 MHz <math>f_0 \leq 33 MHz
		3.0 mA Max.	3.5 mA Max.	4.5 mA Max.			No load condition, 33 MHz <math>f_0 \leq 48 MHz
Stand-by current	I_{std}	0.7 μ A Max. (0.2 μ A Typ.)	1.5 μ A Max. (0.5 μ A Typ.)	2.0 μ A Max. (1.0 μ A Typ.)	10 μ A Max.		\overline{ST} = GND
Symmetry	SYM	45 % to 55 %	45 % to 55 %	45 % to 55 %	45 % to 55 %	50 % V_{CC} level	
		40 % to 60 %					40 % to 60 %
High output voltage	V_{OH}	90 % V_{CC} Min.					$I_{OH} = -3$ mA
Low output voltage	V_{OL}	10 % V_{CC} Max.					$I_{OL} = 3$ mA
Output load condition (CMOS)	L_{CMOS}	15 pF Max.					
Output enable / disable input voltage	V_{IH}	80 % V_{CC} Min.			70 % V_{CC} Min.		\overline{ST} terminal
	V_{IL}	20 % V_{CC} Max.			30 % V_{CC} Max.		
Rise time / Fall time	t_r / t_f	4 ns Max.					20 % V_{CC} to 80 % V_{CC} level, $L_{CMOS} = 15$ pF
Start-up time	t_{str}	10 ms Max.			2 ms Max.		$t=0$ at 90 % V_{CC}
Frequency aging	f_{aging}	$\pm 5 \times 10^{-6}$ / year Max.			$\pm 3 \times 10^{-6}$ / year Max.		+25 °C, First year, $V_{CC} = 1.8$ V, 2.5 V, 3.3 V
		-			$\pm 10 \times 10^{-6}$ Max.		+25 °C, 10 years

External dimensions

(Unit:mm)



Footprint (Recommended)

(Unit:mm)

